

JP1 Version 11

JP1/Automatic Job Management System 3 トラ
ブルシューティング

3021-3-B17-20

前書き

■ 対象製品

適用 OS のバージョン, JP1/Automatic Job Management System 3 が前提とするサービスパックやパッチなどの詳細については, リリースノートで確認してください。

●JP1/Automatic Job Management System 3 - Manager (適用 OS : Windows)

P-2A12-3KBL JP1/Automatic Job Management System 3 - Manager 11-50

製品構成一覧および内訳形名

P-CC2A12-4KBL JP1/Automatic Job Management System 3 - Manager 11-50 (適用 OS : Windows Server 2016, Windows Server 2012, Windows Server 2012 R2, Windows Server 2008 R2)

P-CC2912-39BL JP1/Automatic Job Management System 3 - Web Console 11-50 (適用 OS : Windows Server 2016, Windows Server 2012, Windows Server 2012 R2, Windows Server 2008 R2)

P-CC8212-39BL JP1/Automatic Job Management System 3 - Web Console 11-50 (適用 OS : Linux 6.1 (x64) 以降, Linux 7.1, Oracle Linux 6 (x64), Oracle Linux 7, SUSE Linux 12, CentOS 6 (x64), CentOS 7)

P-CC2A12-3NBL JP1/Automatic Job Management System 3 - Print Option Manager 11-10 (適用 OS : Windows Server 2016, Windows Server 2012, Windows Server 2012 R2, Windows Server 2008 R2)

●JP1/Automatic Job Management System 3 - Manager (適用 OS : HP-UX)

P-1J12-3KBL JP1/Automatic Job Management System 3 - Manager 11-50

製品構成一覧および内訳形名

P-CC1J12-4KBL JP1/Automatic Job Management System 3 - Manager 11-50 (適用 OS : HP-UX (IPF))

P-CC2912-39BL JP1/Automatic Job Management System 3 - Web Console 11-50 (適用 OS : Windows Server 2016, Windows Server 2012, Windows Server 2012 R2, Windows Server 2008 R2)

P-CC8212-39BL JP1/Automatic Job Management System 3 - Web Console 11-50 (適用 OS : Linux 6.1 (x64) 以降, Linux 7.1, Oracle Linux 6 (x64), Oracle Linux 7, SUSE Linux 12, CentOS 6 (x64), CentOS 7)

P-CC1J12-3NBL JP1/Automatic Job Management System 3 - Print Option Manager 11-10 (適用 OS : HP-UX (IPF))

●JP1/Automatic Job Management System 3 - Manager (適用 OS : Solaris)

P-9D12-3KBL JP1/Automatic Job Management System 3 - Manager 11-50

製品構成一覧および内訳形名

P-CC9D12-4KBL JP1/Automatic Job Management System 3 - Manager 11-50 (適用 OS : Solaris 11 (SPARC), Solaris 10 (SPARC))

P-CC2912-39BL JP1/Automatic Job Management System 3 - Web Console 11-50 (適用 OS : Windows Server 2016, Windows Server 2012, Windows Server 2012 R2, Windows Server 2008 R2)

P-CC8212-39BL JP1/Automatic Job Management System 3 - Web Console 11-50 (適用 OS : Linux 6.1 (x64) 以降, Linux 7.1, Oracle Linux 6 (x64), Oracle Linux 7, SUSE Linux 12, CentOS 6 (x64), CentOS 7)

P-CC9D12-3NBL JP1/Automatic Job Management System 3 - Print Option Manager 11-10 (適用 OS : Solaris 11 (SPARC), Solaris 10 (SPARC))

●JP1/Automatic Job Management System 3 - Manager (適用 OS : AIX)

P-1M12-3KBL JP1/Automatic Job Management System 3 - Manager 11-50

製品構成一覧および内訳形名

P-CC1M12-4KBL JP1/Automatic Job Management System 3 - Manager 11-50 (適用 OS : AIX)

P-CC2912-39BL JP1/Automatic Job Management System 3 - Web Console 11-50 (適用 OS : Windows Server 2016, Windows Server 2012, Windows Server 2012 R2, Windows Server 2008 R2)

P-CC8212-39BL JP1/Automatic Job Management System 3 - Web Console 11-50 (適用 OS : Linux 6.1 (x64) 以降, Linux 7.1, Oracle Linux 6 (x64), Oracle Linux 7, SUSE Linux 12, CentOS 6 (x64), CentOS 7)

P-CC1M12-3NBL JP1/Automatic Job Management System 3 - Print Option Manager 11-10 (適用 OS : AIX)

●JP1/Automatic Job Management System 3 - Manager (適用 OS : Linux)

P-8112-3KBL JP1/Automatic Job Management System 3 - Manager 11-50

製品構成一覧および内訳形名

P-CC8112-4KBL JP1/Automatic Job Management System 3 - Manager 11-50 (適用 OS : Linux 6.1 (x64) 以降, Linux 7.1, Oracle Linux 6 (x64), Oracle Linux 7, SUSE Linux 12, CentOS 6 (x64), CentOS 7)

P-CC2912-39BL JP1/Automatic Job Management System 3 - Web Console 11-50 (適用 OS : Windows Server 2016, Windows Server 2012, Windows Server 2012 R2, Windows Server 2008 R2)

P-CC8212-39BL JP1/Automatic Job Management System 3 - Web Console 11-50 (適用 OS : Linux 6.1 (x64) 以降, Linux 7.1, Oracle Linux 6 (x64), Oracle Linux 7, SUSE Linux 12, CentOS 6 (x64), CentOS 7)

P-CC8112-3NBL JP1/Automatic Job Management System 3 - Print Option Manager 11-10 (適用 OS : Linux 6.1 (x64) 以降, Linux 7.1, Oracle Linux 6 (x64), Oracle Linux 7, SUSE Linux 12, CentOS 6 (x64), CentOS 7)

●JP1/Automatic Job Management System 3 - Agent (適用 OS : Windows Server 2016, Windows Server 2012, Windows Server 2012 R2, Windows Server 2008 R2)

P-2A12-33BL JP1/Automatic Job Management System 3 - Agent 11-50

●JP1/Automatic Job Management System 3 - Agent (適用 OS : HP-UX (IPF))

P-1J12-33BL JP1/Automatic Job Management System 3 - Agent 11-50

●JP1/Automatic Job Management System 3 - Agent (適用 OS : Solaris 11 (SPARC), Solaris 10 (SPARC))

P-9D12-33BL JP1/Automatic Job Management System 3 - Agent 11-50

●JP1/Automatic Job Management System 3 - Agent (適用 OS : AIX)

P-1M12-33BL JP1/Automatic Job Management System 3 - Agent 11-50

●JP1/Automatic Job Management System 3 - Agent (適用 OS : Linux 6.1 (x64) 以降, Linux 7.1, Oracle Linux 6 (x64), Oracle Linux 7, SUSE Linux 12, CentOS 6 (x64), CentOS 7)

P-8112-33BL JP1/Automatic Job Management System 3 - Agent 11-50

●JP1/Automatic Job Management System 3 - Agent Minimal Edition (適用 OS : Windows Server 2016, Windows Server 2012, Windows Server 2012 R2, Windows Server 2008 R2)

P-2A12-38BL JP1/Automatic Job Management System 3 - Agent Minimal Edition 11-50

●JP1/Automatic Job Management System 3 - Agent Minimal Edition (適用 OS : Linux 6.1 (x64) 以降, Linux 7.1, Oracle Linux 6 (x64), Oracle Linux 7, SUSE Linux 12, CentOS 6 (x64), CentOS 7)

P-8112-38BL JP1/Automatic Job Management System 3 - Agent Minimal Edition 11-50

●JP1/Automatic Job Management System 3 - View (適用 OS : Windows)

P-2A12-34BL JP1/Automatic Job Management System 3 - View 11-50

製品構成一覧および内訳形名

P-CC2A12-44BL JP1/Automatic Job Management System 3 - View 11-10 (適用 OS : Windows Server 2016, Windows 10, Windows 8.1, Windows 8, Windows Server 2012, Windows Server 2012 R2, Windows 7, Windows Server 2008 R2)

P-CC2A12-3MBL JP1/Automatic Job Management System 3 - Print Option 11-50 (適用 OS : Windows Server 2016, Windows 10, Windows 8.1, Windows 8, Windows Server 2012, Windows Server 2012 R2, Windows 7, Windows Server 2008 R2)

●JP1/Base (適用 OS : Windows Server 2016, Windows Server 2012, Windows Server 2012 R2, Windows Server 2008 R2)

P-2A2C-6LBL JP1/Base 11-50

●JP1/Base (適用 OS : HP-UX (IPF))

P-1J2C-6LBL JP1/Base 11-50

●JP1/Base (適用 OS : Solaris 11 (SPARC), Solaris 10 (SPARC))

P-9D2C-6LBL JP1/Base 11-50

●JP1/Base (適用 OS : AIX)

P-1M2C-6LBL JP1/Base 11-50

●JP1/Base (適用 OS : Linux 6.1 (x64) 以降, Linux 7.1, Oracle Linux 6 (x64), Oracle Linux 7, SUSE Linux 12, CentOS 6 (x64), CentOS 7)

P-812C-6LBL JP1/Base 11-50

■ 輸出時の注意

本製品を輸出される場合には、外国為替及び外国貿易法の規制並びに米国輸出管理規則など外国の輸出関連法規をご確認の上、必要な手続きをお取りください。

なお、不明な場合は、弊社担当営業にお問い合わせください。

■ 商標類

HITACHI, Cosminexus, Groupmax, HiRDB, HITSENSER, JP1, OpenTP1, uCosminexus は、株式会社 日立製作所の商標または登録商標です。

Active Directory は、米国 Microsoft Corporation の、米国およびその他の国における登録商標または商標です。

IBM, AIX は、世界の多くの国で登録された International Business Machines Corporation の商標です。

IBM, AS/400 は、世界の多くの国で登録された International Business Machines Corporation の商標です。

IBM, MQSeries は、世界の多くの国で登録された International Business Machines Corporation の商標です。

IBM, MVS は、世界の多くの国で登録された International Business Machines Corporation の商標です。

Internet Explorer は、米国 Microsoft Corporation の米国およびその他の国における登録商標または商標です。

Itanium は、アメリカ合衆国および / またはその他の国における Intel Corporation の商標です。

Linux は、Linus Torvalds 氏の日本およびその他の国における登録商標または商標です。

Microsoft Exchange Server は、米国 Microsoft Corporation の米国およびその他の国における登録商標または商標です。

Microsoft Office および Excel は、米国 Microsoft Corporation の米国およびその他の国における登録商標または商標です。

Microsoft Office および Outlook は、米国 Microsoft Corporation の米国およびその他の国における登録商標または商標です。

Microsoft および Excel は、米国 Microsoft Corporation の米国およびその他の国における登録商標または商標です。

Microsoft および Outlook は、米国 Microsoft Corporation の米国およびその他の国における登録商標または商標です。

Microsoft および SQL Server は、米国 Microsoft Corporation の米国およびその他の国における登録商標または商標です。

Microsoft および Windows Server は、米国 Microsoft Corporation の米国およびその他の国における登録商標または商標です。

Oracle と Java は、Oracle Corporation 及びその子会社、関連会社の米国及びその他の国における登録商標です。

Pentium は、アメリカ合衆国および / またはその他の国における Intel Corporation の商標です。

Red Hat は、米国およびその他の国で Red Hat, Inc. の登録商標もしくは商標です。

RSA および BSAFE は、米国 EMC コーポレーションの米国およびその他の国における商標または登録商標です。

SAP, R/3, および本文書に記載されたその他の SAP 製品, サービス, ならびにそれぞれのロゴは、ドイツおよびその他の国々における SAP AG の商標または登録商標です。

SUSE は、米国およびその他の国における SUSE LLC の登録商標または商標です。

UNIX は、The Open Group の米国ならびに他の国における登録商標です。

Windows は、米国 Microsoft Corporation の米国およびその他の国における登録商標または商標です。

すべての SPARC 商標は、米国 SPARC International, Inc. のライセンスを受けて使用している同社の米国およびその他の国における商標または登録商標です。SPARC 商標がついた製品は、米国 Sun Microsystems, Inc. が開発したアーキテクチャに基づくものです。

その他記載の会社名, 製品名などは、それぞれの会社の商標もしくは登録商標です。

プログラムプロダクト「P-9D12-3KBL, P-9D12-33BL, P-9D2C-6LBL」には、Oracle Corporation またはその子会社, 関連会社が著作権を有している部分が含まれています。

プログラムプロダクト「P-9D12-3KBL, P-9D12-33BL, P-9D2C-6LBL」には、UNIX System Laboratories, Inc.が著作権を有している部分が含まれています。

本製品は、米国 EMC コーポレーションの RSA BSAFE(R)ソフトウェアを搭載しています。

This product includes software developed by the Apache Software Foundation (<http://www.apache.org/>).

Portions of this software were originally based on the following:

- software copyright (c) 1999, IBM Corporation., <http://www.ibm.com>.

This product includes software developed by Ben Laurie for use in the Apache-SSL HTTP server project.

This product includes software developed by IAIK of Graz University of Technology.

This product includes software developed by Daisuke Okajima and Kohsuke Kawaguchi (<http://relaxngcc.sf.net/>).

Portions of this software were developed at the National Center for Supercomputing Applications (NCSA) at the University of Illinois at Urbana-Champaign.

This product includes software developed by the University of California, Berkeley and its contributors.

This software contains code derived from the RSA Data Security Inc. MD5 Message-Digest Algorithm, including various modifications by Spyglass Inc., Carnegie Mellon University, and Bell Communications Research, Inc (Bellcore).

Regular expression support is provided by the PCRE library package, which is open source software, written by Philip Hazel, and copyright by the University of Cambridge, England. The original software is available from <ftp://ftp.csx.cam.ac.uk/pub/software/programming/pcre/>

This product includes software developed by Ralf S. Engelschall <rse@engelschall.com> for use in the mod_ssl project (<http://www.modssl.org/>).

1. This product includes software developed by the OpenSSL Project for use in the OpenSSL Toolkit. (<http://www.openssl.org/>)

2. This product includes cryptographic software written by Eric Young (eay@cryptsoft.com)

3. This product includes software written by Tim Hudson (tjh@cryptsoft.com)

4. 本製品には OpenSSL Toolkit ソフトウェアを OpenSSL License および Original SSLeay License に従い使用しています。OpenSSL License および Original SSLeay License は以下のとおりです。

LICENSE ISSUES

=====

The OpenSSL toolkit stays under a dual license, i.e. both the conditions of the OpenSSL License and the original SSLeay license apply to the toolkit.

See below for the actual license texts. Actually both licenses are BSD-style

Open Source licenses. In case of any license issues related to OpenSSL

please contact openssl-core@openssl.org.

OpenSSL License

/*

=====
=====
* Copyright (c) 1998-2016 The OpenSSL Project. All rights reserved.

*
* Redistribution and use in source and binary forms, with or without
* modification, are permitted provided that the following conditions
* are met:

*
* 1. Redistributions of source code must retain the above copyright
* notice, this list of conditions and the following disclaimer.

*
* 2. Redistributions in binary form must reproduce the above copyright
* notice, this list of conditions and the following disclaimer in
* the documentation and/or other materials provided with the
* distribution.

*
* 3. All advertising materials mentioning features or use of this
* software must display the following acknowledgment:
* "This product includes software developed by the OpenSSL Project
* for use in the OpenSSL Toolkit. (<http://www.openssl.org/>)"

*
* 4. The names "OpenSSL Toolkit" and "OpenSSL Project" must not be used to
* endorse or promote products derived from this software without
* prior written permission. For written permission, please contact
* openssl-core@openssl.org.

*
* 5. Products derived from this software may not be called "OpenSSL"
* nor may "OpenSSL" appear in their names without prior written
* permission of the OpenSSL Project.

*
* 6. Redistributions of any form whatsoever must retain the following
* acknowledgment:
* "This product includes software developed by the OpenSSL Project

* for use in the OpenSSL Toolkit (<http://www.openssl.org/>)"

*

* THIS SOFTWARE IS PROVIDED BY THE OpenSSL PROJECT ``AS IS" AND ANY
* EXPRESSED OR IMPLIED WARRANTIES, INCLUDING, BUT NOT LIMITED TO, THE
* IMPLIED WARRANTIES OF MERCHANTABILITY AND FITNESS FOR A PARTICULAR
* PURPOSE ARE DISCLAIMED. IN NO EVENT SHALL THE OpenSSL PROJECT OR
* ITS CONTRIBUTORS BE LIABLE FOR ANY DIRECT, INDIRECT, INCIDENTAL,
* SPECIAL, EXEMPLARY, OR CONSEQUENTIAL DAMAGES (INCLUDING, BUT
* NOT LIMITED TO, PROCUREMENT OF SUBSTITUTE GOODS OR SERVICES;
* LOSS OF USE, DATA, OR PROFITS; OR BUSINESS INTERRUPTION)
* HOWEVER CAUSED AND ON ANY THEORY OF LIABILITY, WHETHER IN CONTRACT,
* STRICT LIABILITY, OR TORT (INCLUDING NEGLIGENCE OR OTHERWISE)
* ARISING IN ANY WAY OUT OF THE USE OF THIS SOFTWARE, EVEN IF ADVISED
* OF THE POSSIBILITY OF SUCH DAMAGE.

*

=====
=====

*

* This product includes cryptographic software written by Eric Young
* (eay@cryptsoft.com). This product includes software written by Tim
* Hudson (tjh@cryptsoft.com).

*

*/

Original SSLeay License

/* Copyright (C) 1995-1998 Eric Young (eay@cryptsoft.com)

* All rights reserved.

*

* This package is an SSL implementation written
* by Eric Young (eay@cryptsoft.com).
* The implementation was written so as to conform with Netscapes SSL.

*

* This library is free for commercial and non-commercial use as long as
* the following conditions are aheared to. The following conditions
* apply to all code found in this distribution, be it the RC4, RSA,

* lhash, DES, etc., code; not just the SSL code. The SSL documentation
* included with this distribution is covered by the same copyright terms
* except that the holder is Tim Hudson (tjh@cryptsoft.com).
*
* Copyright remains Eric Young's, and as such any Copyright notices in
* the code are not to be removed.
* If this package is used in a product, Eric Young should be given attribution
* as the author of the parts of the library used.
* This can be in the form of a textual message at program startup or
* in documentation (online or textual) provided with the package.
*
* Redistribution and use in source and binary forms, with or without
* modification, are permitted provided that the following conditions
* are met:
* 1. Redistributions of source code must retain the copyright
* notice, this list of conditions and the following disclaimer.
* 2. Redistributions in binary form must reproduce the above copyright
* notice, this list of conditions and the following disclaimer in the
* documentation and/or other materials provided with the distribution.
* 3. All advertising materials mentioning features or use of this software
* must display the following acknowledgement:
* "This product includes cryptographic software written by
* Eric Young (eay@cryptsoft.com)"
* The word 'cryptographic' can be left out if the routines from the library
* being used are not cryptographic related :-).
* 4. If you include any Windows specific code (or a derivative thereof) from
* the apps directory (application code) you must include an acknowledgement:
* "This product includes software written by Tim Hudson (tjh@cryptsoft.com)"
*
* THIS SOFTWARE IS PROVIDED BY ERIC YOUNG ``AS IS" AND
* ANY EXPRESS OR IMPLIED WARRANTIES, INCLUDING, BUT NOT LIMITED TO, THE
* IMPLIED WARRANTIES OF MERCHANTABILITY AND FITNESS FOR A PARTICULAR
* PURPOSE
* ARE DISCLAIMED. IN NO EVENT SHALL THE AUTHOR OR CONTRIBUTORS BE LIABLE

* FOR ANY DIRECT, INDIRECT, INCIDENTAL, SPECIAL, EXEMPLARY, OR CONSEQUENTIAL DAMAGES (INCLUDING, BUT NOT LIMITED TO, PROCUREMENT OF SUBSTITUTE GOODS OR SERVICES; LOSS OF USE, DATA, OR PROFITS; OR BUSINESS INTERRUPTION) HOWEVER CAUSED AND ON ANY THEORY OF LIABILITY, WHETHER IN CONTRACT, STRICT LIABILITY, OR TORT (INCLUDING NEGLIGENCE OR OTHERWISE) ARISING IN ANY WAY OUT OF THE USE OF THIS SOFTWARE, EVEN IF ADVISED OF THE POSSIBILITY OF SUCH DAMAGE.

* The licence and distribution terms for any publically available version or derivative of this code cannot be changed. i.e. this code cannot simply be copied and put under another distribution licence [including the GNU Public Licence.]

This product includes software developed by the Java Apache Project for use in the Apache JServ servlet engine project (<http://java.apache.org/>).

This product includes software developed by Andy Clark.



HITACHI
Inspire the Next

株式会社 日立製作所



■ マイクロソフト製品の表記について

このマニュアルでは、マイクロソフト製品の名称を次のように表記しています。

表記	製品名
Excel	Microsoft(R) Excel

表記		製品名
Excel		Microsoft(R) Office Excel
Exchange Server		Microsoft(R) Exchange 2000 Enterprise Server
		Microsoft(R) Exchange 2000 Server
		Microsoft(R) Exchange Server
IE	Internet Explorer	Microsoft(R) Internet Explorer(R)
		Windows(R) Internet Explorer(R)
Microsoft SQL Server		Microsoft(R) SQL Server
		Microsoft(R) SQL Server Enterprise Edition
MSMQ		Microsoft(R) Message Queue Server
Outlook	Outlook 2007	Microsoft(R) Office Outlook(R) 2007
	Outlook 2010	Microsoft(R) Office Outlook(R) 2010
	Outlook 2013	Microsoft(R) Office Outlook(R) 2013
Outlook Express		Microsoft(R) Outlook(R) Express
Windows 10		Windows(R) 10 Enterprise
		Windows(R) 10 Pro
Windows 7		Microsoft(R) Windows(R) 7 Enterprise
		Microsoft(R) Windows(R) 7 Professional
		Microsoft(R) Windows(R) 7 Ultimate
Windows 8		Windows(R) 8 Enterprise
		Windows(R) 8 Pro
Windows 8.1		Windows(R) 8.1 Enterprise
		Windows(R) 8.1 Pro
Windows Server 2008	Windows Server 2008 R2	Microsoft(R) Windows Server(R) 2008 R2 Datacenter
		Microsoft(R) Windows Server(R) 2008 R2 Enterprise
		Microsoft(R) Windows Server(R) 2008 R2 Standard
Windows Server 2012	Windows Server 2012	Microsoft(R) Windows Server(R) 2012 Datacenter

表記		製品名
Windows Server 2012	Windows Server 2012	Microsoft(R) Windows Server(R) 2012 Standard
	Windows Server 2012 R2	Microsoft(R) Windows Server(R) 2012 R2 Datacenter
		Microsoft(R) Windows Server(R) 2012 R2 Standard
Windows Server 2016		Microsoft(R) Windows Server(R) 2016 Datacenter
		Microsoft(R) Windows Server(R) 2016 Standard

Windows Server 2016, Windows 10, Windows 8.1, Windows 8, Windows Server 2012, Windows 7, および Windows Server 2008 を総称して Windows と表記することがあります。

■ 発行

2017 年 11 月 3021-3-B17-20

■ 著作権

Copyright (C) 2016, 2017, Hitachi, Ltd.

Copyright (C) 2016, 2017, Hitachi Solutions, Ltd.

変更内容

変更内容 (3021-3-B12-20, 3021-3-B13-20, 3021-3-B14-20, 3021-3-B15-20, 3021-3-B16-20, 3021-3-B17-20, 3021-3-B18-20, 3021-3-B19-20, 3021-3-B20-20, 3021-3-B21-20)

追加・変更内容	変更箇所
<p>Web GUI で次の機能をサポートした。</p> <ul style="list-style-type: none"> • 月間スケジュールの確認 • 実行予定の追加 • 計画一時変更 (日時変更) • 計画一時変更 (即時実行) • 計画一時変更 (実行中止) • 計画一時変更 (変更解除) • 遅延監視変更 	<p>導入</p> <p>6.3, 8.2.1, 8.2.2</p> <p>設計 (システム)</p> <p>3.2.1(3), 3.2.1(4), 3.4.7</p> <p>構築</p> <p>3.4.3(4), 3.4.3(5)(n), 3.4.3(6), 13.3.3(4), 13.3.3(5)(m), 13.3.3(6)</p> <p>トラブル</p> <p>付録 C.1</p> <p>操作</p> <p>付録 A.4, 付録 A.5, 付録 A.6, 付録 A.7, 付録 A.10, 付録 A.19, 付録 A.20, 付録 A.22, 付録 A.23, 付録 A.24, 付録 A.25, 付録 A.26, 付録 A.27</p> <p>メッセージ</p> <p>KNAK2023-E, KNAK2427-Q, KNAK2428-Q, KNAK2429-E, KNAK2430-Q</p>
<p>API で、ユニット情報を取得する機能をサポートした。</p>	<p>コマンド</p> <p>6.6.1(1), 6.6.1(4), 7.1.2, 7.1.18, 7.3.2, 7.4.5(7), 7.4.5(8), 付録 D.1, 付録 D.2, 付録 D.3, 付録 D.4</p>
<p>Web Console サーバ上の Java ヒープの最大サイズを変更できるようにし、デフォルト値を 512 (メガバイト) から 2,048 (メガバイト) に変更した。</p>	<p>構築</p> <p>3.4.2, 3.4.9, 13.3.2, 13.3.9</p> <p>運用</p> <p>2.2.5(1)(a), 2.2.5(1)(b)</p> <p>トラブル</p> <p>付録.A.4(1), 付録.A.4(2)</p>
<p>Web GUI に表示する状態表示色を変更できるようにした。</p>	<p>導入</p> <p>6.1</p> <p>設計 (システム)</p> <p>4.6.1(3)</p> <p>構築</p> <p>3.4.2, 3.4.8, 13.3.2, 13.3.8</p>

追加・変更内容	変更箇所
<p>Web GUI に表示する状態表示色を変更できるようにした。</p>	<p>運用 2.2.5(1)(a), 2.2.5(1)(b)</p> <p>トラブル 付録 A.4(1), 付録 A.4(2)</p> <p>操作 付録 B</p>
<p>Web GUI の [モニタ] ダイアログボックスおよび [モニタ] 画面のマップエリアで、ユニット名とコメントを切り替えて表示できるようにした。</p>	<p>操作 付録 A.10, 付録 A.11</p>
<p>スケジューラーサービスを多重起動した際のジョブのスループットを改善するために、次の機能を追加した。</p> <ul style="list-style-type: none"> ジョブ実行時に使用するポート数を削減する機能 トレースログをスケジューラーサービス単位で出力する機能 <p>なお、内部処理の変更に伴い、複数のルートジョブネットが同時に開始する際の、JP1/AJS3 の処理性能を改善した。これにより、スケジューラーサービスを単一で起動した際の、ジョブのスループットも改善している。</p>	<p>設計 (システム) 3.1.1(1), 3.1.1(5)(a), 3.4.2, 3.4.2(1), 3.4.2(2)</p> <p>構築 3.5.1(1), 6.1.1(2), 6.1.1(4)(b), 6.1.5, 6.1.12, 7.1.1, 8.2.9(2), 8.2.9(4)(b), 13.4.4(1), 15.1.1(2), 15.1.1(4)(b), 15.1.5, 15.1.13, 16.1.1, 17.2.9(2), 17.2.9(4)(b), 20.4.1, 20.4.2(4), 20.4.2(116), 20.8.1, 20.8.2(4)</p> <p>トラブル 1.2.3(1), 1.2.4(1), 1.2.4(2)</p> <p>コマンド 3. ajstrsetsz</p> <p>メッセージ KAVS0788-E, KAVU0244-E, KAVU2229-E, KAVU2231-E</p>
<p>1 台のマネージャーホストに登録できる実行エージェントの最大数を、2,048 台まで拡張できるようにした。</p>	<p>導入 付録 A.2</p> <p>設計 (システム) 2.1.1, 2.5.1, 付録 B.1, 付録 B.5</p> <p>構築 6.2.28, 15.2.25, 20.3.1, 20.3.2(16)</p> <p>コマンド 3. ajsagtadd</p> <p>メッセージ 1.3.7(2), KNAC1521-E</p>
<p>JP1/IM でユニットのコメントを確認できるようにするため、オブジェクトタイプが JOBNET および JOB の JP1 イベントの拡張属性 (固有情報) に、ユニットのコメントを追加した。</p>	<p>構築 20.4.1, 20.4.2(114), 20.4.2(115)</p> <p>運用 付録 A.2(3), 付録 A.2(4), 付録 A.2(5), 付録 A.2(6), 付録 A.2(7), 付録 A.2(8), 付録 A.2(9), 付録 A.2(10), 付録 A.2(11), 付録 A.2(14), 付録 A.2(15), 付録 A.2(16), 付録 A.2(17), 付録 A.</p>

追加・変更内容	変更箇所
<p>JP1/IM でユニットのコメントを確認できるようにするため、オブジェクトタイプがJOBNET およびJOB のJP1 イベントの拡張属性（固有情報）に、ユニットのコメントを追加した。</p>	<p>2(18), 付録 A.2(19), 付録 A.2(20), 付録 A.2(21), 付録 A.2(23), 付録 A.2(24), 付録 A.2(25), 付録 A.2(26), 付録 A.2(27), 付録 A.2(28), 付録 A.2(29), 付録 A.2(30), 付録 A.2(31), 付録 A.2(32), 付録 A.2(33), 付録 A.2(34), 付録 A.2(35), 付録 A.2(36), 付録 A.2(37), 付録 A.2(44), 付録 A.2(45), 付録 A.2(46), 付録 A.2(47)</p> <p>メッセージ 1.3.2, 1.4.1, KAVS0917-E</p>
<p>環境設定パラメーターを設定するコマンドを、jajs_config コマンドに統一した。</p>	<p>導入 10.5.1(3)(a)</p> <p>設計（システム） 7.2.2</p> <p>構築 4.2, 4.2.1, 4.2.2, 6.2, 6.2.18(1), 6.2.21(1), 6.2.22(1), 6.2.24(1), 6.4, 6.4.1(1), 6.4.1(3), 6.4.2(1), 6.4.3(1), 13.4.1(1), 14.2, 14.2.1, 14.2.2, 15.2.20(1), 15.2.22(1), 15.4, 15.4.1(1), 15.4.1(3), 20.7.2(5), 20.10.1, 20.10.2(3)</p> <p>トラブル 1.2.4(1), 1.2.4(2)</p> <p>コマンド 2. jajs_config, 4. ajsqlsetup</p>
<p>スケジューラーサービスを再起動した際に、特定の条件に該当するジョブを「終了状態不明」状態ではなく「先行終了待ち」状態または「未実行終了」状態に遷移させるようにした。これによって、スケジューラーサービス再起動後のジョブの状態から、ユーザープログラムが起動したかどうかを判断できるようになった。</p>	<p>導入 付録 A.2</p> <p>運用 6.2.1(3)(a), 6.4, 付録 A.1</p> <p>コマンド 3. ajsstart</p> <p>メッセージ KAVS0266-I</p>
<p>1 日あたりに実行できるジョブ数を 10 回に制限した製品「JP1/AJS3 - Agent Minimal Edition」を追加した。</p>	<p>設計（システム） 2.1.1, 2.1.2(1), 4.2.1, 8.1.3, 付録 A.1(2), 付録 A.2, 付録 A.4, 付録 A.8(1), 付録 A.8(2), 付録 A.8(3), 付録 G</p> <p>構築 20.5.1, 20.5.2(93), 20.5.2(94), 20.6.1, 20.7.1, 20.11.1</p> <p>運用 7.9.3</p> <p>トラブル 1.2.4(1), 1.2.4(2)</p>

追加・変更内容	変更箇所
1日あたりに実行できるジョブ数を10回に制限した製品「JP1/AJS3 - Agent Minimal Edition」を追加した。	コマンド 1.5.1, 1.5.9(2), 2. ajsatsetup, 4. ajsqlsetup メッセージ 1.3.4, 1.3.8, KAVS1931-E, KAVS4540-E, KAVS8100-E, KAVU3607-I, KAVU3608-E, KNAD1000-E, KNAD1704-Q

(凡例)

導入：JP1/Automatic Job Management System 3 導入ガイド

設計（システム）：JP1/Automatic Job Management System 3 設計ガイド（システム構築編）

設計（業務）：JP1/Automatic Job Management System 3 設計ガイド（業務設計編）

構築：JP1/Automatic Job Management System 3 構築ガイド

運用：JP1/Automatic Job Management System 3 運用ガイド

トラブル：JP1/Automatic Job Management System 3 トラブルシューティング

操作：JP1/Automatic Job Management System 3 操作ガイド

コマンド：JP1/Automatic Job Management System 3 コマンドリファレンス

連携：JP1/Automatic Job Management System 3 連携ガイド

メッセージ：JP1/Automatic Job Management System 3 メッセージ

単なる誤字・脱字などはお断りなく訂正しました。

はじめに

このマニュアルは、JP1/Automatic Job Management System 3（以降、JP1/AJS3 と省略します）のトラブルシューティングについて説明したものです。

■ 対象読者

このマニュアルは次の方にお読みいただくことを前提に説明しています。

- JP1/AJS3 を使ったジョブの自動運転システムを運用しようと考えている方、または運用するために設計する方
- JP1/AJS3 を使ったジョブの自動運転システムを運用する方

■ マニュアルの構成

このマニュアルは、次に示す章から構成されています。

なお、このマニュアルは各 OS（Operating System）に共通のマニュアルです。OS ごとに差異がある場合は、本文中でそのつど内容を書き分けています。

第 1 章 トラブルへの対処手順と必要な資料

JP1/AJS3 の運用中にトラブルが発生した場合の対処方法などを説明しています。

第 2 章 トラブルへの対処方法

JP1/AJS3 を使用しているときに発生したトラブルの対処方法を説明しています。

■ JP1/AJS3 のマニュアル体系とマニュアルの使い分けについて

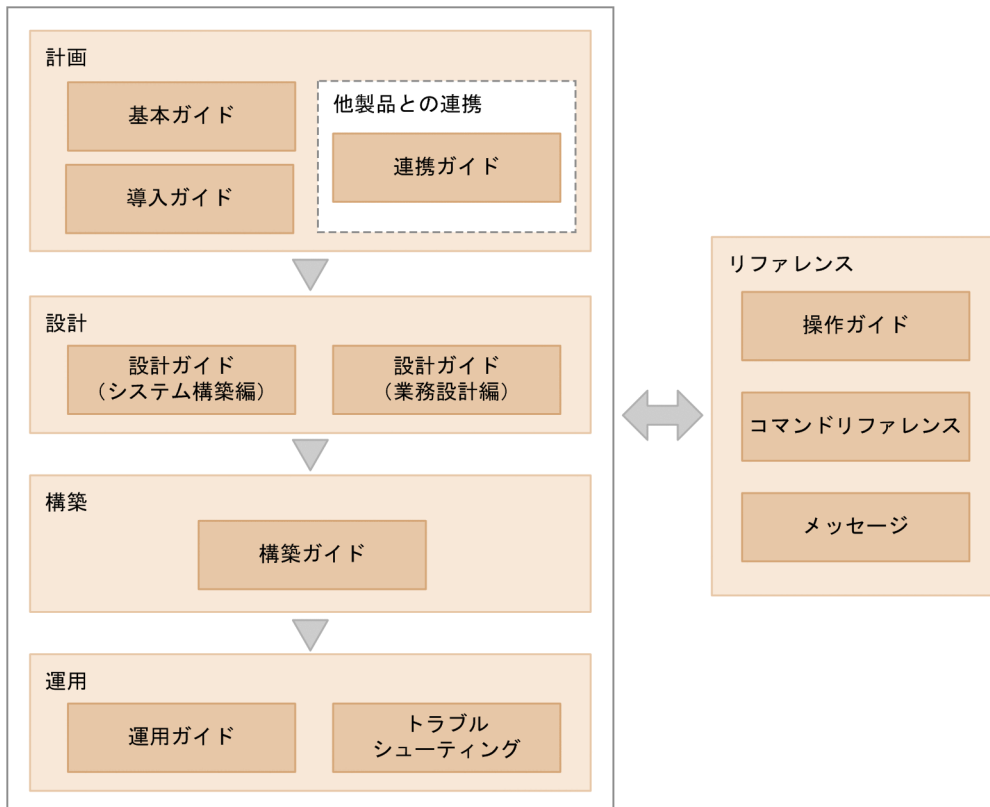
JP1/AJS3 のマニュアルは、11 冊に分かれています。各マニュアルは、主に次の内容について記載しています。

項番	マニュアル名	記載内容
1	基本ガイド (3021-3-B11)	<ul style="list-style-type: none">• JP1/AJS3 の基本的な操作
2	導入ガイド (3021-3-B12)	<ul style="list-style-type: none">• JP1/AJS3 の特長• 各機能の解説
3	設計ガイド（システム構築編） (3021-3-B13)	<ul style="list-style-type: none">• システムの設計時に検討する内容• システム設計時の注意事項
4	設計ガイド（業務設計編） (3021-3-B14)	<ul style="list-style-type: none">• ジョブやジョブネットの構築のために検討する内容• ジョブやジョブネット設計時の注意事項

項番	マニュアル名	記載内容
5	構築ガイド (3021-3-B15)	<ul style="list-style-type: none"> • インストール・セットアップの操作手順 • 環境設定の手順 • 環境設定パラメーターの説明 • 運用に応じた機能のセットアップ方法
6	運用ガイド (3021-3-B16)	<ul style="list-style-type: none"> • システムの運用時に知っておくべき情報 • JP1/AJS3 の運用に役立つノウハウ
7	トラブルシューティング (3021-3-B17)	<ul style="list-style-type: none"> • 障害が発生したときの対処方法 • 障害が発生したときに必要な資料
8	操作ガイド (3021-3-B18)	<ul style="list-style-type: none"> • JP1/AJS3 - View の操作方法 • 画面、ダイアログボックスの説明
9	コマンドリファレンス (3021-3-B19)	<ul style="list-style-type: none"> • コマンドの文法 • 情報定義ファイルの文法と記述例 • API の詳細と文法
10	連携ガイド (3021-3-B20)	<ul style="list-style-type: none"> • 他製品と連携して実現する機能の解説およびセットアップ
11	メッセージ (3021-3-B21)	<ul style="list-style-type: none"> • JP1/AJS3 が出力するメッセージ

「基本ガイド」は、「JP1 Version 11 ジョブ管理 基本ガイド (ジョブスケジューラー編)」を指します。それ以外のマニュアル名称は、「JP1 Version 11 JP1/Automatic Job Management System 3」を省略しています。

各マニュアルは、利用目的に合わせて次のようにお読みください。



利用目的	必ず読むマニュアル	必要に応じて読むマニュアル
JP1/AJS3 の基本的な操作を体験したい。	<ul style="list-style-type: none"> 基本ガイド (3021-3-B11) 	<ul style="list-style-type: none"> 操作ガイド (3021-3-B18)
JP1/AJS3 の機能について知りたい。	<ul style="list-style-type: none"> 導入ガイド (3021-3-B12) 	<ul style="list-style-type: none"> 連携ガイド (3021-3-B20)
ジョブの自動運転システムを構築したい (インストール, セットアップなど)。	<ul style="list-style-type: none"> 設計ガイド (システム構築編) (3021-3-B13) 構築ガイド (3021-3-B15) 	<ul style="list-style-type: none"> 連携ガイド (3021-3-B20)
自動化する業務を設計したい (ジョブ定義, スケジュール定義など)。	<ul style="list-style-type: none"> 設計ガイド (業務設計編) (3021-3-B14) 	<ul style="list-style-type: none"> 操作ガイド (3021-3-B18)
運転中のシステムの監視やメンテナンス方法について知りたい。	<ul style="list-style-type: none"> 運用ガイド (3021-3-B16) 	<ul style="list-style-type: none"> トラブルシューティング (3021-3-B17) メッセージ (3021-3-B21)
運用中のトラブルの対処方法について知りたい。	<ul style="list-style-type: none"> トラブルシューティング (3021-3-B17) 	<ul style="list-style-type: none"> メッセージ (3021-3-B21)

利用目的	必ず読むマニュアル	必要に応じて読むマニュアル
JP1/AJS3 の操作方法について知りたい。	<ul style="list-style-type: none"> 操作ガイド (3021-3-B18) 	<ul style="list-style-type: none"> コマンドリファレンス (3021-3-B19)

■ JP1/AJS3 - Agent と JP1/AJS3 - Agent Minimal Edition の読み替えについて

このマニュアルでは、JP1/AJS3 - Agent と JP1/AJS3 - Agent Minimal Edition の両方を「JP1/AJS3 - Agent」と記載しています。JP1/AJS3 - Agent Minimal Edition をご使用の場合は、マニュアル内の JP1/AJS3 - Agent を JP1/AJS3 - Agent Minimal Edition に読み替えてください。ただし、JP1/AJS3 - Agent Minimal Edition と JP1/AJS3 - Agent で差異がある場合は、本文中でそのつど書き分けています。

目次

前書き	2
変更内容	14
はじめに	18

1 トラブルへの対処手順と必要な資料 26

1.1	対処の手順	27
1.2	ログの種類とログ情報の格納先	28
1.2.1	システム障害通知ログ	29
1.2.2	スケジューラーログ	31
1.2.3	トレースログ	33
1.2.4	ログファイルおよびディレクトリー覧	35
1.3	トラブル発生時に採取が必要な資料	83
1.3.1	Windows の場合	83
1.3.2	UNIX の場合	87
1.4	資料の採取方法	92
1.4.1	Windows の場合	92
1.4.2	UNIX の場合	97

2 トラブルへの対処方法 103

2.1	セットアップ、サービスの起動、または JP1/AJS3 の動作に関するトラブルへの対処	104
2.1.1	セットアップに関するトラブルへの対処	104
2.1.2	サービスの起動に関するトラブルへの対処	105
2.1.3	JP1/AJS3 の動作に関するトラブルへの対処	106
2.2	ジョブ実行環境のトラブルへの対処	108
2.3	JP1/AJS3 - View のログインでのトラブルへの対処	111
2.3.1	JP1/AJS3 にログインできない場合の対処	111
2.3.2	JP1/AJS3 へログイン直後に接続が切断される場合の対処	113
2.4	Web GUI に関するトラブルへの対処	114
2.4.1	画面が表示されない、または表示が崩れる場合の対処	114
2.4.2	SSL 通信を使用するとログイン画面が表示されない場合の対処	114
2.4.3	バージョンアップインストール直後に画面の表示や操作を行った場合にエラーが発生するときの対処	114
2.5	起動条件付きジョブネットの処理が遅延した場合の対処	115
2.6	ジョブまたはジョブネットに関するトラブルへの対処	117
2.6.1	ジョブまたはジョブネットの実行登録時のトラブルへの対処	117

- 2.6.2 標準ジョブ, HTTP 接続ジョブ, アクションジョブ, およびカスタムジョブのトラブルへの対処 117
- 2.6.3 アクションジョブのトラブルへの対処 135
- 2.6.4 イベントジョブのトラブルへの対処 136
- 2.6.5 ジョブネットコネクタのトラブルへの対処 137
- 2.6.6 待ち合わせ条件付きユニットのトラブルへの対処 138
- 2.6.7 ロードバランサーでジョブを振り分ける場合のフレキシブルジョブのトラブルへの対処 139
- 2.6.8 一斉実行する場合のフレキシブルジョブのトラブルへの対処 140
- 2.7 組み込み DB 使用時のトラブルの対処 143
- 2.7.1 トラブルが起こったときの組み込み DB の処理と組み込み DB システム管理者の処置 143
- 2.7.2 組み込み DB が開始できないときの対処方法 146
- 2.7.3 組み込み DB が終了できないときの対処方法 149
- 2.7.4 OS が異常終了したときの対処方法 149
- 2.7.5 通信障害または電源障害になったときの対処方法 149
- 2.7.6 ディスク障害が起こったときの対処方法 150
- 2.7.7 採取が必要な情報 151
- 2.7.8 組み込み DB 操作コマンドでエラーを検知したときの対処方法 151
- 2.7.9 JP1/AJS3 - Manager のインストールおよびアンインストール中にエラーを検知したときの対処方法 158
- 2.8 コマンド実行時のトラブルへの対処 162
- 2.9 メールシステム連携のトラブルへの対処 (Windows 限定) 163
- 2.9.1 Outlook を使用しないメール送信ジョブのトラブルへの対処 163
- 2.9.2 Outlook を使用するメール送信ジョブおよびメール受信監視ジョブのトラブルへの対処 164
- 2.10 マネージャーの処理に影響を及ぼすエージェント障害時の対処 169
- 2.11 ISAM ファイルが不正になった場合の対処 170
- 2.11.1 ISAM ファイルの状態確認手順 170
- 2.11.2 QUEUE ジョブ, サブミットジョブの実行環境データベースの再作成手順 171
- 2.12 JP1/AJS3 - View でスケジューラーサービスが表示されない場合の対処 173
- 2.13 JP1/AJS3 のインストール・セットアップ後の仮想マシン複製時のトラブルへの対処 174
- 2.13.1 JP1/AJS3 サービス起動時にジョブ, ジョブネット, プロセス, または組み込み DB が異常終了したときの対処方法 174
- 2.13.2 複製先の仮想マシンで JP1/AJS3 サービス起動時にエラーメッセージまたは警告メッセージが出力されたときの対処方法 175
- 2.14 SSL 通信時のトラブルへの対処 176
- 2.14.1 SSL 通信を有効にすると JP1/AJS3 サービスの起動に失敗する場合の対処方法 176
- 2.14.2 統合トレースログに KNAC0610-W, KAVU2252-W, KAVT0417-W, または KAVT0995-W のどれかが出力される 176

付録 177

- 付録 A ファイルおよびディレクトリ一覧 178
- 付録 A.1 JP1/AJS3 - Manager のファイルおよびディレクトリ一覧 178

付録 A.2	JP1/AJS3 - Agent のファイルおよびディレクトリー一覧	195
付録 A.3	JP1/AJS3 - View のファイルおよびディレクトリー一覧	204
付録 A.4	JP1/AJS3 - Web Console のファイルおよびディレクトリー一覧	210
付録 B	プロセス一覧	214
付録 B.1	プロセス構成図	214
付録 B.2	プロセス一覧 (Windows の場合)	220
付録 B.3	プロセス一覧 (UNIX の場合)	236
付録 B.4	組み込み DB のプロセス一覧	249
付録 C	ログ情報	255
付録 C.1	スケジューラーサービスが出力するログ	255
付録 C.2	キューレスエージェントサービスが出力するログ	356
付録 C.3	定義内容の事前チェックで出力するログ	361
付録 C.4	フレキシブルジョブの実行で出力するログ	364
付録 D	組み込み DB の動作に関する知識	367
付録 D.1	組み込み DB システムと組み込み DB プロセス	367
付録 D.2	組み込み DB プロセス	367
付録 D.3	組み込み DB システム	370
付録 E	各バージョンの変更内容	374
付録 E.1	11-50 の変更内容	374
付録 E.2	11-10 の変更内容	375
付録 E.3	11-00 の変更内容	377
付録 E.4	10-50 の変更内容	381
付録 E.5	10-10 の変更内容	382
付録 E.6	10-00 の変更内容	383
付録 E.7	09-50 の変更内容	386
付録 E.8	09-10 の変更内容	387
付録 E.9	09-00 の変更内容	388
付録 F	このマニュアルの参考情報	391
付録 F.1	関連マニュアル	391
付録 F.2	説明文で使用する書式	393
付録 F.3	フォルダおよびディレクトリの表記	395
付録 F.4	製品名の表記	395
付録 F.5	英略語	397
付録 F.6	Windows 版 JP1/AJS3 のデフォルトのインストール先フォルダ	399
付録 F.7	Windows の [スタート] メニューについて	399
付録 F.8	このマニュアルで使用する「Administrators 権限」について	399
付録 F.9	オンラインマニュアルについて	400
付録 F.10	JP1/AJS3 で使用できる正規表現について	400
付録 F.11	JIS 2004 (JIS X 0213:2004) で追加された第 3 水準, 第 4 水準漢字について	400

付録 F.12	NNM 連携について	401
付録 F.13	KB (キロバイト) などの単位表記について	401
付録 G	用語解説	402

索引 423

1

トラブルへの対処手順と必要な資料

この章では、JP1/AJS3 の運用中にトラブルが発生した場合の対処方法などを説明します。

1.1 対処の手順

JP1/AJS3 でトラブルが起きた場合の対処の手順を次に示します。

1. 現象の確認

トラブルが発生したときの現象を確認してください。メッセージが出力されている場合は、メッセージの内容を確認してください。各メッセージの要因と対処方法については、マニュアル「JP1/Automatic Job Management System 3 メッセージ」を参照してください。また、JP1/AJS3 が出力するログ情報については、「[1.2 ログの種類とログ情報の格納先](#)」を参照してください。

2. 資料の採取

トラブルの要因を調べるために資料の採取が必要です。「[1.3 トラブル発生時に採取が必要な資料](#)」および「[1.4 資料の採取方法](#)」を参照して、必要な資料を採取してください。

3. 問題の調査

採取した資料を基に問題の要因を調査し、問題が発生している部分、または問題の範囲を切り分けてください。

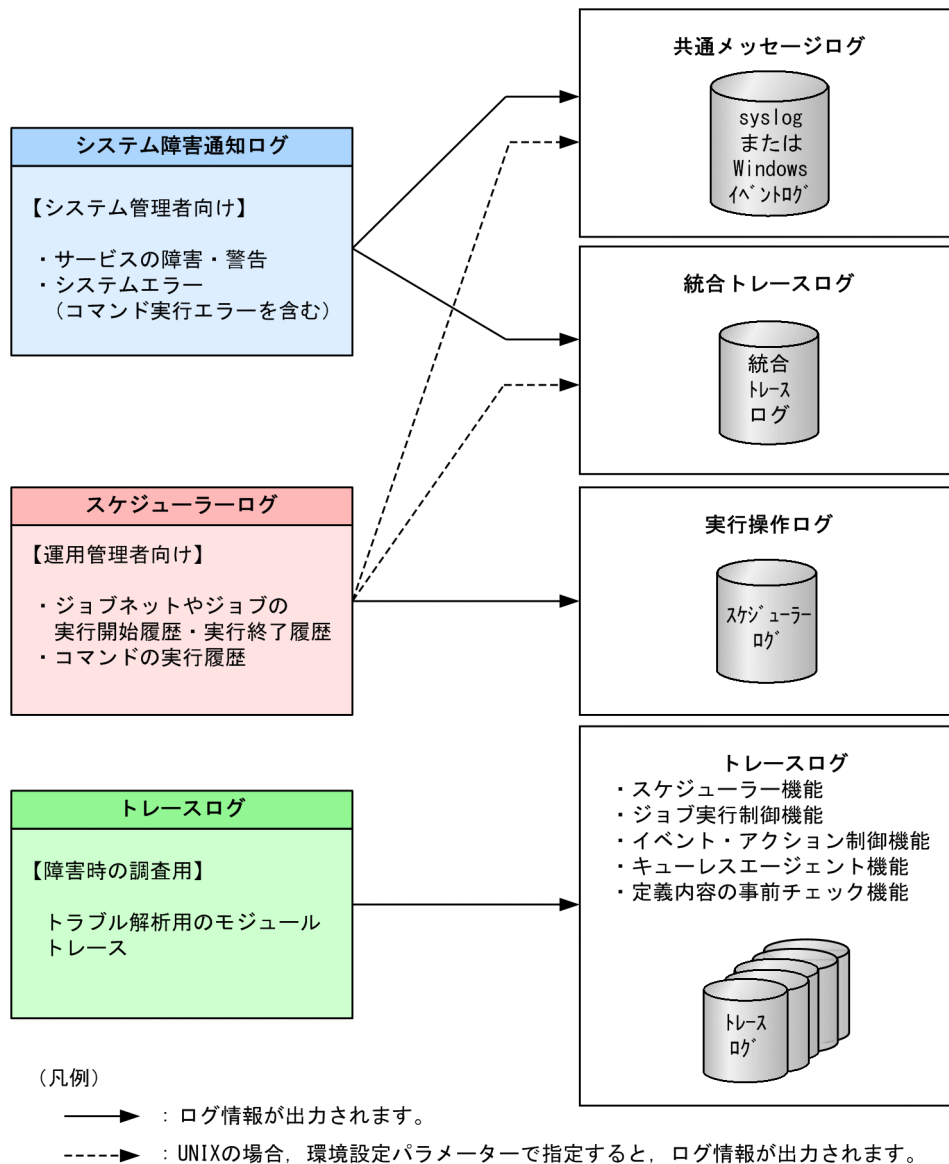
1.2 ログの種類とログ情報の格納先

JP1/AJS3 を運用しているときに出力されるログ情報は 3 種類あります。

1. システム障害通知ログ
2. スケジューラーログ
3. トレースログ

3 種類のログ情報の格納先を次の図に示します。

図 1-1 ログ情報の格納先



1.2.1 システム障害通知ログ

システム障害通知ログとは、システム側のトラブルを通知する、システム管理者向けのログ情報のことです。

このログ情報は、共通メッセージログおよび統合トレースログに出力されます。

(1) 共通メッセージログ

共通メッセージログは、Windows イベントログまたは syslog に出力されます。

(2) 統合トレースログ

統合トレースログとは、各プログラムが出力するトレース情報を、統合トレース機能 (HNTRLib2) を通じて、一つの出力先ファイルにまとめて採取するログ情報のことです。共通メッセージログより詳しい内容のメッセージが出力されます。

統合トレースログは、統合トレースログファイルに出力されます。

統合トレースログの採取方法については、マニュアル「JP1/Base 運用ガイド」を参照してください。

統合トレースログのデフォルトの出力先は次のとおりです。

Windows の場合

システムドライブ¥Program Files (x86)*1,*2

¥HITACHI¥HNTRLib2¥spool¥hntr2{1|2|3|4}.log

UNIX の場合

/var/opt/hitachi/HNTRLib2/spool/hntr2{1|2|3|4}.log

注※1

32ビット版の Windows の場合は、「Program Files (x86)」を「Program Files」と読み替えてください。

注※2

JP1/AJS3 - Web Console の場合は、「Program Files (x86)」を「Program Files」と読み替えてください。

統合トレースログに出力するシステム障害通知ログの種類を指定することもできます。出力するログの種類は、jajs_config コマンドで環境設定パラメーターHNTRLoglevel を設定してください。

統合トレースログファイルは、任意のテキストエディターで参照できます。統合トレースログファイルの出力例を次に示します。

図 1-2 統合トレースログファイルの出力例

```

OS情報          ホスト名   タイムゾーン   統合トレース機能
                 ↓          ↓          ↓          起動時刻
**** AIX 3 5
      yyyy/mm/dd hh:mm:ss.sss
0007 20XX/04/01 09:34:52.454
0000 20XX/04/01 09:34:53.947
起動されました

番号   日付       時刻       AP名       pid       tid       メッセージID       メッセージテキスト
      ↓       ↓       ↓       ↓       ↓       ↓       ↓       ↓
0007 20XX/04/01 09:34:52.454 JAJS_SPMD 0006E0E2 ----- KAVB3705-I jpqmon 開始中... pid = 458976
0000 20XX/04/01 09:34:53.947 jpqmon    000700E0 00000001 KAVU1100-I プロセス監視モニター(host01)が
    
```

統合トレースログファイルに出力されるヘッダー情報と出力項目の説明を次に示します。

表 1-1 統合トレースログファイルのヘッダー情報

ヘッダー情報	説明
OS 情報	統合トレース機能が起動している OS の情報が出力されます。
ホスト名	統合トレース機能が起動しているホスト名が出力されます。
タイムゾーン	Windows の場合 OS のタイムゾーンが出力されます。 UNIX の場合 統合トレースログの環境変数TZ が出力されます。 環境変数TZ が設定されていない場合は、Unknown と出力されます。
統合トレース機能起動時刻	統合トレース機能を起動した時刻が出力されます。

表 1-2 統合トレースログファイルの出力項目

出力項目	説明
番号 (4 けた)	トレースレコードの通し番号。 番号はログを出力したプロセスごとに採番されます。
日付 (10 バイト)	トレースの取得日付: yyyy/mm/dd (年/月/日)。
時刻 (12 バイト)	トレースの取得時刻 (ローカル時刻): hh:mm:ss.sss (時:分:秒.ミリ秒)。
AP 名 (16 バイト以内)	アプリケーションを識別するための名称 (アプリケーション識別名)。 JP1/AJS3 で出力される主な AP 名は次のとおりです。 1. JP1/AJS3 サービス: JAJS_SPMD 2. スケジューラーのプロセス: ajsmasterd 3. フロー制御プロセス: ajsflowd (Windows は ajsflowd.exe) 4. ジョブサブミットプロセス: ajssubd (Windows は ajssubd.exe) 5. ジョブ完了待ちプロセス: ajssubwd (Windows は ajssubwd.exe) 6. ジョブ実行制御状態通知プロセス: jpqnfyfd (Windows は jpqnfyfd.exe) 7. スケジュール制御プロセス: ajsschd 8. イベント・アクション制御マネージャプロセス: jpomanager 9. イベント・アクション制御エージェントプロセス: jpoagent

出力項目	説明
AP 名 (16 バイト以内)	10. 実行間隔制御用プロセス：jpocwttmMain 11. イベント (JP1 イベントやログトラップなど) の監視用プロセス jpoeventwatch 12. イベント・アクション制御サブマネージャプロセス：jpomgrsub 13. イベント・アクション制御サブエージェントプロセス：jpoagsub 14. ジョブ実行制御のプロセス：jppqmon 15. ジョブ実行制御のマネージャプロセス：jppqman 16. ジョブ実行制御のエージェントプロセス：jppqagt 17. ネットワーク制御プロセス：ajsinetd 18. JP1/AJS3 - View で接続されたときに開始するプロセス：ajsmonsvr 19. JP1/AJS3 - Queueless Agent サービス (キューレスエージェントプロセス)：ajsqtagtd 20. JP1/AJS3 - Queueless File Transfer サービス (キューレスファイル転送プロセス)：ajsqftpd 21. JP1/AJS3 Check Manager サービス：ajschkmand (Windows は ajschkmand.exe) 22. JP1/AJS3 Check Agent サービス：ajschkagtd 23. その他のプロセスおよびコマンド：プロセス名およびコマンド名
pid	プロセス ID。OS が付けるプロセス ID。 16 進数で出力されます。
tid	スレッド ID。スレッドを識別するための ID。 16 進数で出力されます。
メッセージ ID	マニュアル「JP1/Automatic Job Management System 3 メッセージ 1.2.1 メッセージの出力形式」で説明したメッセージ ID。この製品で使用するメッセージ ID。
メッセージテキスト	統合トレースログに出力されるメッセージのテキスト。この製品から出力されるメッセージテキスト。

❗ 重要

統合トレースログに出力されるログの時刻は、出力したプロセスのタイムゾーンでフォーマットされます。そのため、環境変数TZ を変更したユーザーなどがサービスを起動したり、コマンドを実行したりすると、OS に設定されているタイムゾーンと異なる時刻が出力されることがあります。

1.2.2 スケジューラーログ

スケジューラーログとは、JP1/AJS3 のスケジューラーサービスが出力する、運用管理者向けのログ情報のことです。ジョブネットやジョブの実行開始・実行終了および操作に関する情報が出力されます。

JP1/AJS3 のスケジューラーログのログ情報は、JP1/AJS3 - Manager ホストでスケジューラーサービス単位またはホスト単位で出力されます。スケジューラーサービス単位で出力するか、ホスト単位で出力するかは、環境設定パラメーターAJSLOGOUTPUTDEST で指定できます。デフォルトでは、スケジューラーサービス単位で出力されます。

- スケジューラーサービス単位で出力する場合

環境設定パラメーターAJSLOGOUTPUTDEST で「schedule」を指定している場合は、スケジューラーサービス単位でスケジューラーログが出力されます。ログの出力先は、環境設定パラメーターAJSLOGFILE1、または環境設定パラメーターAJSLOGFILE2 に指定したファイルです。デフォルトは、次のとおりです。

Windows で、インストール先フォルダがデフォルトまたはシステムで保護されたフォルダ配下の場合

「%ALLUSERSPROFILE%\Hitachi\JP1\JP1_DEFAULT\JP1AJS2\log\schedule\sケジューラーサービス名\ajs-log1.log」 または

「%ALLUSERSPROFILE%\Hitachi\JP1\JP1_DEFAULT\JP1AJS2\log\schedule\sケジューラーサービス名\ajs-log2.log」

「%ALLUSERSPROFILE%」のデフォルトは「システムドライブ\ProgramData」です。

「システムで保護されたフォルダ」とは、次のパスを指します。

- ・「システムドライブ\Windows」配下
- ・「システムドライブ\Program Files」配下
- ・「システムドライブ\Program Files (x86)」配下

Windows で、インストール先フォルダが上記以外の場合

「JP1/AJS3 のインストール先フォルダ\log\schedule\sケジューラーサービス名\ajs-log1.log」
または

「JP1/AJS3 のインストール先フォルダ\log\schedule\sケジューラーサービス名\ajs-log2.log」

UNIX の場合

「/var/opt/jp1ajs2/log/schedule/sケジューラーサービス名/ajs-log1.log」 または

「/var/opt/jp1ajs2/log/schedule/sケジューラーサービス名/ajs-log2.log」

- ホスト単位で出力する場合

環境設定パラメーターAJSLOGOUTPUTDEST で「host」を指定している場合は、ホスト単位でスケジューラーログが出力されます。この場合、異なるスケジューラーサービスのスケジューラーログが一つのファイルに出力されます。ログの出力先は、環境設定パラメーターHOSTLOGFILE1、または環境設定パラメーターHOSTLOGFILE2 に指定したファイルです。デフォルトは、次のとおりです。

Windows で、インストール先フォルダがデフォルトまたはシステムで保護されたフォルダ配下の場合

「%ALLUSERSPROFILE%\Hitachi\JP1\JP1_DEFAULT\JP1AJS2\log\ajs-host-log1.log」 または

「%ALLUSERSPROFILE%\Hitachi\JP1\JP1_DEFAULT\JP1AJS2\log\ajs-host-log2.log」

「%ALLUSERSPROFILE%」のデフォルトは「システムドライブ\ProgramData」です。

「システムで保護されたフォルダ」とは、次のパスを指します。

- ・「システムドライブ\Windows」配下
- ・「システムドライブ\Program Files」配下
- ・「システムドライブ\Program Files (x86)」配下

Windows で、インストール先フォルダが上記以外の場合

「JP1/AJS3 のインストール先フォルダ\log\ajs-host-log1.log」 または

「JP1/AJS3 のインストール先フォルダ\log\ajs-host-log2.log」

UNIX の場合

[/var/opt/jp1ajs2/log/ajs-host-log1.log] または [/var/opt/jp1ajs2/log/ajs-host-log2.log]

• スケジューラーログの出力形式

スケジューラーログの出力形式を次に示します。

ログ種別△日付△時刻△付加情報

(凡例)

△: 1 バイトの空白文字

スケジューラーログの詳細については、「付録 C.1 スケジューラーサービスが出力するログ」を参照してください。

1.2.3 トレースログ

トレースログとは、トラブルが発生した場合に、トラブル発生の経緯を調査したり、各処理の処理時間を測定したりするために採取するログ情報のことです。

JP1/AJS3 のトレースログのログ情報は、複数のトレースログファイルに出力されます。各トレースログファイルについては、内部形式は公開していません。また、バイナリファイルについては、テキストエディターなどを使ってファイルの内容を参照することはできません。

(1) スケジューラー

スケジューラートレースログには、次の 2 種類があります。

• 共通のスケジューラートレースログファイル

物理ホストおよびすべての論理ホストのスケジューラートレース情報が、一つのトレースログファイルに出力されます。

JP1/AJS3 - Manager ホストで一つのファイルをラップアラウンドして使用します。ファイルサイズのデフォルトは 20,480 キロバイトで、出力形式はバイナリー形式です。

• スケジューラーサービス単位のスケジューラートレースログファイル

各スケジューラーサービスのスケジューラートレース情報が、スケジューラーサービス単位で出力されます。

スケジューラーサービスごとに一つのファイルをラップアラウンドして使用します。ファイルサイズのデフォルトは 20,480 キロバイトで、出力形式はバイナリー形式です。

スケジューラーサービス単位でトレースログを出力する設定方法については、マニュアル「JP1/Automatic Job Management System 3 構築ガイド 6.1.5 スケジューラートレースログをスケジューラーサービス単位で出力する設定」(Windows の場合) またはマニュアル「JP1/Automatic Job Management System 3 構築ガイド 15.1.5 スケジューラートレースログをスケジューラーサービス単位で出力する設定」(UNIX の場合) を参照してください。

なお、トレースログのファイルサイズは、ajstrsetsz コマンドで変更できます。ajstrsetsz コマンドの詳細については、マニュアル「JP1/Automatic Job Management System 3 コマンドリファレンス 3. 通常の運用で使用するコマンド ajstrsetsz」を参照してください。

(2) ジョブ実行

JP1/AJS3 - Manager ホストや JP1/AJS3 - Agent ホストで機能ごとに複数のファイルに分かれます。各ファイルの名称については、「1.2.4 ログファイルおよびディレクトリ一覧」を参照してください。各ファイルのサイズは 512 キロバイトです。ファイルサイズは変更できません。また、出力形式は公開していません。

(3) イベント・アクション

JP1/AJS3 - Manager ホストや JP1/AJS3 - Agent ホストで機能ごとに二つのファイルに分かれます。各ファイルの名称については、「1.2.4 ログファイルおよびディレクトリ一覧」を参照してください。各ファイルのサイズは 128 キロバイトです。

(4) キューレスジョブ

JP1/AJS3 - Manager ホストと JP1/AJS3 - Agent ホストでそれぞれ一つのファイルをラップアラウンドして使用します。ファイルサイズのデフォルトは 15,360 キロバイトで、出力形式はバイナリー形式です。また、ajsqltrsetsz コマンドでトレースログファイルサイズを変更することができます。ajsqltrsetsz コマンドの詳細については、マニュアル「JP1/Automatic Job Management System 3 コマンドリファレンス 4. 特別な運用で使用するコマンド ajsqltrsetsz」を参照してください。

(5) その他

- 定義内容の事前チェック機能のトレースログファイルは、JP1/AJS3 Check Manager 機能または JP1/AJS3 Check Agent 機能で一つのファイルをラップアラウンドして使用します。ファイルサイズのデフォルトは 3,072 キロバイトで、出力形式はバイナリー形式です。また、ajschktrsetsz コマンドでトレースログファイルサイズを変更することができます。ajschktrsetsz コマンドの詳細については、マニュアル「JP1/Automatic Job Management System 3 コマンドリファレンス 3. 通常の運用で使用するコマンド ajschktrsetsz」を参照してください。
- システム管理のトレースログファイルは、JP1/AJS3 - Manager ホストや JP1/AJS3 - Agent ホストで機能ごとに複数のファイルに分かれます。各ファイルの名称については、「1.2.4 ログファイルおよびディレクトリ一覧」を参照してください。各ファイルサイズのデフォルトは 384 キロバイトです。また、出力形式は公開していません。

1.2.4 ログファイルおよびディレクトリ一覧

(1) Windows の場合

Windows 版 JP1/AJS3 のスケジューラーログおよび各機能のトレースログについて、ログファイル名およびフォルダ名を表 1-4～表 1-7 に示します。

「ログの種類」には、JP1/AJS3 が出力するログの種類を記載しています。

「ログファイル名・フォルダ名」には、次に示すインストール先フォルダを記載しています。

1. *Mgr_Path*

- インストール先フォルダがデフォルトまたはシステムで保護されたフォルダ^{※1} 配下の場合：
%ALLUSERSPROFILE%^{※2}¥Hitachi¥JP1¥JP1_DEFAULT¥JP1AJS2
- インストール先フォルダが上記以外の場合：
JP1/AJS3 - Manager のインストール先フォルダ

インストール先フォルダのデフォルトは、「システムドライブ¥Program Files (x86)¥HITACHI¥jp1ajs2」です。

2. *Agt_Path*

- インストール先フォルダがデフォルトまたはシステムで保護されたフォルダ^{※1} 配下の場合：
%ALLUSERSPROFILE%^{※2}¥Hitachi¥JP1¥JP1_DEFAULT¥JP1AJS2
- インストール先フォルダが上記以外の場合：
JP1/AJS3 - Agent のインストール先フォルダ

インストール先フォルダのデフォルトは、「システムドライブ¥Program Files (x86)¥HITACHI¥jp1ajs2」です。

3. *View_Path*

%ALLUSERSPROFILE%^{※2}¥Hitachi¥JP1¥JP1_DEFAULT¥JP1AJS2V

4. *Web_Path*

- インストール先フォルダがデフォルトまたはシステムで保護されたフォルダ^{※1} 配下の場合：
%ALLUSERSPROFILE%^{※2}¥Hitachi¥JP1¥JP1_DEFAULT¥jp1ajs3web
- インストール先フォルダが上記以外の場合：
JP1/AJS3 - Web Console のインストール先フォルダ

インストール先フォルダのデフォルトは、「システムドライブ¥Program Files¥HITACHI¥JP1AJS3WEB」です。

注※1

「システムで保護されたフォルダ」とは、次のパスを指します。

- 「システムドライブ¥Windows」配下
- 「システムドライブ¥Program Files」配下
- 「システムドライブ¥Program Files (x86)」配下

注※2

「%ALLUSERSPROFILE%」のデフォルトは「システムドライブ¥ProgramData」です。

クラスタ運用時のログ出力先フォルダは、特に注釈がない場合には、次の表に示すフォルダに置き換えてください。

表 1-3 クラスタ運用時のログ出力先フォルダ

表 1-4～表 1-7 での表記	クラスタ運用時のログ出力先フォルダ
<i>Mgr_Path</i>	共有ディスク名¥jp1ajs2
<i>Agt_Path</i>	共有ディスク名¥jp1ajs2
<i>Web_Path</i>	共有ディスク名¥jp1ajs3web

「デフォルトのディスク占有量」には、環境設定がデフォルトの状態で開催した場合のディスク占有量を記載しています。ログファイルが複数ある場合は、その合計を記載しています。ログファイル容量を変更していない場合は、表で示す容量がログファイル容量です。

「最大ディスク占有量」には、定義を変更した場合も含めて、ログファイルの最大占有量を記載しています。ログファイルが複数ある場合は、その合計を記載しています。定義によって変化する値については最大の値を記載しています。

「ファイルの切り替え時期」には、JP1/AJS3 が出力先のログファイルを切り替えるタイミングを記載しています。値が示されていて、複数あるログファイルの場合、最大ディスク占有量に達したときには、更新日時の古いファイルから上書きします。

表 1-4 JP1/AJS3 - Manager のログファイルおよびフォルダ一覧 (Windows の場合)

ログの種類	ログファイル名・フォルダ名	出力される情報の内容	デフォルトのディスク占有量 ※1	最大ディスク占有量※1	ファイルの切り替え時期※2
システム管理 ログ※32	<i>Mgr_Path</i> ¥log¥JAJS_SPMD{1 2 3}.log	JP1/AJS3 サービスの起動・停止・状態確認時のトレースログ※3	384	33,554,432 (32 ギガバイト)	ログ設定でのログサイズ (128)
	<i>Mgr_Path</i> ¥log¥JAJS_SPMD_COMMAND{1 2 3}.log		384		
	<i>Mgr_Path</i> ¥log¥JAJS_SERVICE{1 2 3}.log		384		

1. トラブルへの対処手順と必要な資料

ログの種類	ログファイル名・フォルダ名	出力される情報の内容	デフォルトのディスク占有量※1	最大ディスク占有量※1	ファイルの切り替え時期※2
システム管理 ログ※32	<i>Mgr_Path</i> ¥log¥JAJS_DBMD_[組み込みDBセットアップ識別子]{1 2 3}.log	JP1/AJS3 サービスの起動・停止・状態確認時のトレースログ※3	384	33,554,432 (32 ギガバイト)	ログ設定でのログサイズ (128)
	<i>Mgr_Path</i> ¥log¥JAJS_HSTD{1 2 3}.log		384	33,554,432 (32 ギガバイト)	ログ設定でのログサイズ (128)
	<i>Mgr_Path</i> ¥log¥JAJS_AGTD{1 2 3}.log		384	33,554,432 (32 ギガバイト)	ログ設定でのログサイズ (128)
	<i>Mgr_Path</i> ¥log¥JAJS_SCHD_[スケジューラーサービス名]{1 2 3}.log		384	33,554,432 (32 ギガバイト)	ログ設定でのログサイズ (128)
ライセンス管理 ログ	<i>Mgr_Path</i> ¥log¥hliclibtrc{1 2 3 4 5}.log	ライセンス管理用のログファイル※3	5,120	5,120	1,024
	<i>Mgr_Path</i> ¥log¥hlicliberr{1 2 3 4 5}.log		5,120	5,120	1,024
	<i>Mgr_Path</i> ¥log¥hliclibmgrtrc{1 2 3 4 5}.log		5,120	5,120	1,024
	<i>Mgr_Path</i> ¥log¥hliclibmgrerr{1 2 3 4 5}.log		5,120	5,120	1,024
	<i>Mgr_Path</i> ¥log¥hliclibtrc.conf	ライセンス管理用のログファイルの管理ファイル※3	256 バイト	256 バイト	ラップアラウンド
	<i>Mgr_Path</i> ¥log¥hlicliberr.conf		256 バイト	256 バイト	ラップアラウンド
	<i>Mgr_Path</i> ¥log¥hliclibmgrtrc.conf		256 バイト	256 バイト	ラップアラウンド
	<i>Mgr_Path</i> ¥log¥hliclibmgrerr.conf		256 バイト	256 バイト	ラップアラウンド
スケジューラー ログ※4	<i>Mgr_Path</i> ¥log¥schedule¥スケジュールサービス名¥ajs-log{1 2}.log	ジョブネット・ジョブ・スケジューラーサービスに関する稼働情報 (スケジューラーサービス単位で出力した場合)	20,480	4,000,000	環境設定のスケジューラーログファイルのサイズ (10,240)
	<i>Mgr_Path</i> ¥log¥ajs-host-log{1 2}.log	ジョブネット・ジョブ・スケジューラーサービスに関する稼働情報	20,480	4,000,000	環境設定のホスト単位のスケジューラーログ

ログの種類	ログファイル名・フォルダ名	出力される情報の内容	デフォルトのディスク占有量※1	最大ディスク占有量※1	ファイルの切り替え時期※2
スケジューラーログ※4	<i>Mgr_Path</i> ¥log¥ajs-host-log{1 2}. log	報 (ホスト単位で出力した場合)	20,480	4,000,000	ファイルのサイズ (10,240)
ajsinetd 内部ログ※21	<i>Mgr_Path</i> ¥log¥ajsinetd{1 2}. log	ネットワーク制御プロセスの内部ログ※3	256	4,000,000	ajsinetd 内部ログサイズ (128)
ajscdinetd 内部ログ※21	<i>Mgr_Path</i> ¥log¥ajscdinetd{1 2}. log	JP1/AJS3 - Web Console および JP1/AJS3 - Software Development Kit のネットワーク制御プロセスの内部ログ※3	256	4,000,000	ajscdinetd 内部ログサイズ (128)
ajsmonsvr 内部ログ※21	<i>Mgr_Path</i> ¥log¥ajscdmonsvr_スケジューラーサービス名_{1 2}. log	JP1/AJS3 - Web Console および JP1/AJS3 - Software Development Kit が接続する ajsmonsvr プロセスの内部ログ※3	8,192	32,768	ajsmonsvr 内部ログのサイズ (4,096)
共通のスケジューラートレースログ※5,※6	<i>Mgr_Path</i> ¥log¥tracelog	スケジューラーサービス・ジョブネットに対する操作情報・トレースログ※3,※8	20,480	2,097,151	ラップアラウンド
スケジューラーサービス単位のスケジューラートレースログ※5,※6	<i>Mgr_Path</i> ¥log¥tracelog_スケジューラーサービス名	スケジューラーサービス・ジョブネットに対する操作情報・トレースログ※3,※8	20,480	2,097,151	ラップアラウンド
ジョブ実行マネージャーログ	<i>Mgr_Path</i> ¥log¥schedule¥スケジューラーサービス名 ¥jppqmanexec{1 2 3 4 5 6 7 8 9 10 11 12 13 14 15}. log※11	ジョブ実行時のジョブ実行制御マネージャープロセスのトレースログ※3	15,360	524,288	ログ設定でのログサイズ (1,024)
	<i>Mgr_Path</i> ¥log¥jppqmanexec{1 2 3 4 5 6 7 8 9 10 11 12 13 14 15}. log※9,※10				
ジョブ実行エージェントログ※11	<i>Mgr_Path</i> ¥log¥jppqagtexec{1 2 3 4 5 6 7 8}. log※17	ジョブ実行時のジョブ実行制御	4,096	524,288	ログ設定でのログサイズ

ログの種類	ログファイル名・フォルダ名	出力される情報の内容	デフォルトのディスク占有量※1	最大ディスク占有量※1	ファイルの切り替え時期※2		
ジョブ実行エージェントログ※11	<i>Mgr_Path</i> ¥log ¥jppqagtexecmon{1 2 3 4 5 6 7 8}.log※18	エージェントプロセスのトレースログ※3	4,096	524,288	(512)		
ジョブ実行クライアントログ※11	<i>Mgr_Path</i> ¥log¥jppqcliexec{1 2}.log※19	jppqxxxx コマンド JppqxxxxAPI の実行トレースログ※3	1,024	524,288	ログ設定でのログサイズ (512)		
ジョブ実行状態通知ログ※11	<i>Mgr_Path</i> ¥log¥schedule¥スケジューラーサービス名 ¥jppqnfexec{1 2}.log	ジョブ実行時のジョブ実行制御通信のトレースログ※3	1,024	524,288	ログ設定でのログサイズ (512)		
イベント・アクション制御マネージャーログ※7	<i>Mgr_Path</i> ¥log¥schedule¥スケジューラーサービス名 ¥jppomanager{1 2 3 4 5 6 7 8 9 10 11 12 13}.log※22	イベントジョブ実行時のイベント・アクション制御マネージャーのトレースログ※3	26,624	16,777,216 (16 ギガバイト)	ログ設定でのログサイズ (2,048)		
	<i>Mgr_Path</i> ¥log¥jppomanager{1 2 3 4 5 6}.log※23						
	<i>Mgr_Path</i> ¥log¥schedule¥スケジューラーサービス名 ¥jppomgrsub{1 2 3 4 5 6 7 8}.log※22		8,192			16,777,216 (16 ギガバイト)	ログ設定でのログサイズ (1,024)
	<i>Mgr_Path</i> ¥log¥jppomgrsub{1 2 3 4 5 6 7 8}.log※23						
イベント・アクション制御エージェントログ※7	<i>Mgr_Path</i> ¥log¥jppoagent{1 2 3 4 5 6 7 8}.log※23	イベントジョブ実行時のイベント・アクション制御エージェントのトレースログ※3	8,192	16,777,216 (16 ギガバイト)	ログ設定でのログサイズ (1,024)		
	<i>Mgr_Path</i> ¥log¥jppoagsub{1 2 3 4 5 6 7 8 9 10 11 12 13 14 15 16}.log※23		16,384			16,777,216 (16 ギガバイト)	ログ設定でのログサイズ (1,024)
イベント監視ログ※7	<i>Mgr_Path</i> ¥log ¥jppoeventwatch{1 2 3 4 5 6 7 8}.log※23	JP1 イベント受信監視ジョブ・Windows イベントログ監視ジョブ・ログファイル監視ジョブ実行時のトレースログ※3	8,192	16,777,216 (16 ギガバイト)	ログ設定でのログサイズ (1,024)		
イベント検索ログ※7	<i>Mgr_Path</i> ¥log¥jppoevsearch{1 2}.log※23	JP1 イベント受信監視ジョブの実行前イベント検索実行時のトレースログ※3	256	16,777,216 (16 ギガバイト)	ログ設定でのログサイズ (128)		

ログの種類	ログファイル名・フォルダ名	出力される情報の内容	デフォルトのディスク占有量※1	最大ディスク占有量※1	ファイルの切り替え時期※2
ファイル監視ログ※7	<i>Mgr_Path</i> ¥log¥jpocwtfMain{1 2 3 4 5 6 7 8 9 10 11 12 13}.log※23	ファイル監視ジョブ実行時のトレースログ※3	26,624	16,777,216 (16 ギガバイト)	ログ設定でのログサイズ (2,048)
実行間隔制御ログ※7	<i>Mgr_Path</i> ¥log¥jpocwtmMain{1 2 3 4 5 6}.log※23	実行間隔制御ジョブ実行時のトレースログ※3	1,536	16,777,216 (16 ギガバイト)	ログ設定でのログサイズ (256)
メール監視ログ (共通) ※7	<i>Mgr_Path</i> ¥log¥jpocwtlmain{1 2}.log※23	メール連携機能を使用したときのメール受信監視ジョブ・メール送信ジョブ実行時のトレースログ※3	256	16,777,216 (16 ギガバイト)	ログ設定でのログサイズ (128)
	<i>Mgr_Path</i> ¥log¥jpomlapisend{1 2}.log※29		256	16,777,216 (16 ギガバイト)	ログ設定でのログサイズ (128)
	<i>Mgr_Path</i> ¥log¥jpomlapirec{1 2}.log※29		256	16,777,216 (16 ギガバイト)	ログ設定でのログサイズ (128)
	<i>Mgr_Path</i> ¥log¥jpomlapisend2{1 2}.log※29		256	16,777,216 (16 ギガバイト)	ログ設定でのログサイズ (128)
	<i>Mgr_Path</i> ¥log¥jpomlapirec2{1 2}.log※29		256	16,777,216 (16 ギガバイト)	ログ設定でのログサイズ (128)
メール監視ログ (メール連携をデスクトップ上で行う場合) ※7	<i>Mgr_Path</i> ¥log¥jpomldsk{1 2}.log※29		256	16,777,216 (16 ギガバイト)	ログ設定でのログサイズ (128)
メール監視ログ (メール連携をサービス上で行う場合) ※7	<i>Mgr_Path</i> ¥log¥jpomlsrv{1 2}.log※29		256	16,777,216 (16 ギガバイト)	ログ設定でのログサイズ (128)
Outlook を使用しないメール送信ジョブのログ	<i>Mgr_Path</i> ¥sys¥prf¥プロファイル名¥telmail.{log old}※23	Outlook を使用しないメール送信ジョブ実行時のトレースログ※3	4,096	19,998	ログ設定でのログサイズ (2,048)
	<i>Mgr_Path</i> ¥sys¥prf¥プロファイル名¥smailedbg.{log old}※23		4,096	19,998	ログ設定でのログサイズ (2,048)
	<i>Mgr_Path</i> ¥sys¥prf¥プロファイル名¥protocol.{log old}※23		4,096	19,998	ログ設定でのログサイズ (2,048)

ログの種類	ログファイル名・フォルダ名	出力される情報の内容	デフォルトのディスク占有量※1	最大ディスク占有量※1	ファイルの切り替え時期※2
Cm2 連携ログ	<i>Mgr_Path</i> ¥log¥jpoovlink{1 2}. log※5	JP1/Cm2/NNM または HP NNM を使った監視を行う場合のトレース ログ※3	512	512	256
ジョブ実行内部 ログ※11	<i>Mgr_Path</i> ¥log¥jppqagent ¥jppqagt_{00 01 02 03 04 05 06 07}. log	— ※3,※8	4,096	1,048,576	ログ設定でのロ グサイズ (512)
	<i>Mgr_Path</i> ¥log¥jppqagent ¥jppqmon_{00 01 02 03 04 05 06 07}. log	— ※3,※8	4,096	1,048,576	ログ設定でのロ グサイズ (512)
	<i>Mgr_Path</i> ¥log¥jppqagent ¥jppqnpjagt_{00 01 02 03 04 05 06 07}. log	— ※3,※8	4,096	1,048,576	ログ設定でのロ グサイズ (512)
	<i>Mgr_Path</i> ¥log¥jppqagent ¥jppqnjpdata_{00 01}. log	— ※3,※8	1,024	1,048,576	ログ設定でのロ グサイズ (512)
ジョブ実行内部 ログ※11	<i>Mgr_Path</i> ¥log¥jppqclient ¥jppqclient_{00 01 02 03 04 05 06 07 08 09}. log	— ※3,※8	10,240	1,048,576	ログ設定でのロ グサイズ (1,024)
	<i>Mgr_Path</i> ¥log¥jppqclient ¥jppqclientnjp_{00 01 02 03 04 05 06 07 08 09}. log	— ※3,※8	10,240	1,048,576	ログ設定でのロ グサイズ (1,024)
	<i>Mgr_Path</i> ¥log¥jppqclient ¥jppqnjpdata_{00 01}. log	— ※3,※8	1,024	1,048,576	ログ設定でのロ グサイズ (512)
ジョブ実行内部 ログ	<i>Mgr_Path</i> ¥log¥schedule¥スケ ジューラーサービス名 ¥jppqmanager¥jppqman_{00 01 02 03}. log※11	— ※3,※8	2,048	1,048,576	ログ設定でのロ グサイズ (512)
	<i>Mgr_Path</i> ¥log¥jppqmanager ¥jppqman_{00 01 02 03}. log※10				
	<i>Mgr_Path</i> ¥log¥schedule¥スケ ジューラーサービス名 ¥jppqmanager¥jppqmandb_{00 01 02 03}. log※11	— ※3,※8	2,048	1,048,576	ログ設定でのロ グサイズ (512)
	<i>Mgr_Path</i> ¥log¥jppqmanager ¥jppqmandb_{00 01 02 03}. log※ 10				

ログの種類	ログファイル名・フォルダ名	出力される情報の内容	デフォルトのディスク占有量※1	最大ディスク占有量※1	ファイルの切り替え時期※2
ジョブ実行内部ログ	<i>Mgr_Path</i> ¥log¥schedule¥スケ ジュラーサービス名 ¥jppqmanager¥jppqmannjp_{00 01 02 03}.log※11	—※3,※8	2,048	1,048,576	ログ設定でのログサイズ (512)
	<i>Mgr_Path</i> ¥log¥jppqmanager ¥jppqmannjp_{00 01 02 03}.log※ 10				
	<i>Mgr_Path</i> ¥log¥schedule¥スケ ジュラーサービス名 ¥jppqmanager¥jppqnjpdata_{00 01}.log※11	—※3,※8	1,024	1,048,576	ログ設定でのログサイズ (512)
	<i>Mgr_Path</i> ¥log¥jppqmanager ¥jppqnjpdata_{00 01}.log※10				
ジョブ実行内部ログ※11	<i>Mgr_Path</i> ¥log¥schedule¥スケ ジュラーサービス名¥jppqnotify ¥jppqnotify_{00 01}.log	—※3,※8	1,024	1,048,576	ログ設定でのログサイズ (512)
	<i>Mgr_Path</i> ¥log¥schedule¥スケ ジュラーサービス名¥jppqnotify ¥jppqnotifynjp_{00 01}.log	—※3,※8	1,024	1,048,576	ログ設定でのログサイズ (512)
	<i>Mgr_Path</i> ¥log¥schedule¥スケ ジュラーサービス名¥jppqnotify ¥jppqnjpdata_{00 01}.log	—※3,※8	1,024	1,048,576	ログ設定でのログサイズ (512)
フロー制御サブプロセス内部ログ	<i>Mgr_Path</i> ¥log¥schedule¥スケ ジュラーサービス名 ¥ajsflbd{1 2}.log	待ち合わせ条件付きユニットのトレースログ※3	20,480	4,000,000	フロー制御サブプロセス内部ログのサイズ (10,240)
ジョブ実行環境データベース再編成ログ	<i>Mgr_Path</i> ¥database¥queue ¥CONDENSE{1 2}.log	—	1,024	1,024	512
スケジューラーデータベース再編成ログ	<i>Mgr_Path</i> ¥database¥schedule ¥スケジューラーサービス名 ¥CONDENSE{1 2}.log	—	1,024	1,024	512
イベント・アクション共通ログ※5,※7	<i>Mgr_Path</i> ¥log¥jppocommonerr{1 2}.log	—※3	16,384	4,194,304 (4ギガバイト)	ログ設定でのログサイズ (8,192)
イベント・アクション共通エラーログ※5	<i>Mgr_Path</i> ¥log ¥jppoproccomerr{1 2}.log	—※3	256	256	128

ログの種類	ログファイル名・フォルダ名	出力される情報の内容	デフォルトのディスク占有量※1	最大ディスク占有量※1	ファイルの切り替え時期※2
jajs_migrate コマンドトレースログファイル	<i>Mgr_Path</i> ¥log¥jajs_migrate_論理ホスト名_{1 2 3 4 5 6 7 8 9 10 11 12 13 14 15 16 17 18 19 20}.log※28	JP1/AJS2 の環境から JP1/AJS3 の環境への移行時に出力されるログ※3	10	200	jajs_migrate コマンド実行時
jajs_setup コマンドトレースログファイル※5	<i>Mgr_Path</i> ¥log¥jajs_setup_{01 02 03 04 05 06 07 08 09 10 11 12 13 14 15 16 17 18 19 20}.log※26	環境設定時に出力されるログ※3	200	200	jajs_setup コマンド実行時
jajs_config コマンドトレースログファイル	<i>Mgr_Path</i> ¥log¥jajs_config_{1 2}.log	環境設定パラメータの設定時に出力されるログ※3	1	256	128
jajs_setup_cluster コマンドトレースログファイル※5	<i>Mgr_Path</i> ¥log¥jajs_setup_cluster_{01 02 03 04 05 06 07 08 09 10 11 12 13 14 15 16 17 18 19 20}.log※26	クラスタ環境の環境設定時に出力されるログ※3	200	200	jajs_setup_cluster コマンド実行時
jajs_pmtcon コマンドトレースログファイル	<i>Mgr_Path</i> ¥log¥jajs_pmtcon_{1 2}.log	接続元制限の設定時に出力されるログ※3	1	256	128
キューレスログファイル※15	<i>Mgr_Path</i> ¥log¥ajsql-log{1 2}.log	キューレスエージェントサービスのジョブ実行情報	16,384	4,000,000	環境設定のキューレスログファイルのサイズ (8,192)
キューレストレースログファイル※5,※16	<i>Mgr_Path</i> ¥log¥tracelog.ql	キューレスジョブ, およびキューレスジョブ実行制御関連コマンド実行時のトレースログ※3,※8	15,360	2,097,151	ラップアラウンド
キューレスジョブ実行内部ログ※24	<i>Mgr_Path</i> ¥log¥ajsqlexeclog※5,※25	キューレスジョブ実行時のトレースログ※3,※8	24,576	2,097,151	ラップアラウンド
	<i>Mgr_Path</i> ¥log¥ajsqlexeclog_ftpd※5		10,240	2,097,151	ラップアラウンド
キューレスジョブのステータスファイル※30	<i>Mgr_Path</i> ¥log¥ajsqlstat.dat	実行中のキューレスジョブの情報※3,※8	2,048	2,000,000	ラップアラウンド
メンテナンスログファイル※5	<i>Mgr_Path</i> ¥log¥jajs_maintain_manager{1 2 3 4}.log※12	メンテナンス処理実行時のデータベース再編成ログ※3	1,484	1,484	メンテナンス処理実行時

ログの種類	ログファイル名・フォルダ名	出力される情報の内容	デフォルトのディスク占有量※1	最大ディスク占有量※1	ファイルの切り替え時期※2
メンテナンスログファイル※5	<i>Mgr_Path</i> ¥log¥jajs_maintain_[スケジューラーサービス名]{1 2 3 4}.log※12	メンテナンス処理実行時のデータベース再編成ログ※3	1,484	1,484	メンテナンス処理実行時
自動再編成ログファイル※5	<i>Mgr_Path</i> ¥log¥jppqautocond{1 2 3 4}.log※13	自動再編成処理実行時のデータベース再編成ログ※3	764	764	自動再編成処理実行時
	<i>Mgr_Path</i> ¥log¥jajsautocond{1 2 3 4}.log※13		764	764	自動再編成処理実行時
定義チェックログファイル※5,※20	<i>Mgr_Path</i> ¥log¥jajscheck{1 2}.log	定義内容の事前チェックログ	8,192	4,000,000	環境設定の定義チェックのログファイルサイズ
定義チェックトレースログファイル※5,※14	<i>Mgr_Path</i> ¥log¥trace.log.ch	定義内容の事前チェックによって出力されるトレースログ※3,※8	3,072	2,097,151	ラップアラウンド
組み込み DB 操作コマンド実行ログ※5	<i>Mgr_Path</i> ¥log¥ajsembdbbackup.log	組み込み DB の操作コマンドによって出力されるログ※3	—	—	—※27
	<i>Mgr_Path</i> ¥log¥ajsembdbstr.log		—	—	—※27
	<i>Mgr_Path</i> ¥log¥embdb¥ajsembdboplog[組み込み DB セットアップ識別子]{1 2 3 4}.log		4,096	4,096	1,024
	<i>Mgr_Path</i> ¥log¥embdb¥ajsembdbbrorg[ホスト名][スケジューラーサービス名]{1 2 3 4}.log		4,096	4,096	1,024
	<i>Mgr_Path</i> ¥log¥embdb¥ajsembdbreclaim[ホスト名][スケジューラーサービス名]{1 2 3 4}.log		4,096	4,096	1,024
	<i>Mgr_Path</i> ¥log¥embdb¥ajsembdbaddarea[組み込み DB セットアップ識別子]{1 2 3 4}.log		4,096	4,096	1,024
	<i>Mgr_Path</i> ¥log¥embdb¥ajsembdbaddlog[組み込み DB セットアップ識別子]{1 2 3 4}.log		4,096	4,096	1,024

ログの種類	ログファイル名・フォルダ名	出力される情報の内容	デフォルトのディスク占有量※1	最大ディスク占有量※1	ファイルの切り替え時期※2
組み込み DB 操作コマンド実行ログ※5	<i>Mgr_Path</i> ¥log¥embdb ¥ajsembdbstop[組み込み DB セットアップ識別子]{1 2 3 4}. log	組み込み DB の操作コマンドによって出力されるログ※3	4,096	4,096	1,024
	<i>Mgr_Path</i> ¥log¥embdb ¥ajsembdbstop_nv[組み込み DB セットアップ識別子]{1 2 3 4}. log		4,096	4,096	1,024
	<i>Mgr_Path</i> ¥log¥embdb ¥ajsembdbstart[組み込み DB セットアップ識別子]{1 2 3 4}. log		4,096	4,096	1,024
	<i>Mgr_Path</i> ¥log¥embdb ¥ajsembdbstart_nv[組み込み DB セットアップ識別子]{1 2 3 4}. log		4,096	4,096	1,024
	<i>Mgr_Path</i> ¥log¥embdb ¥ajsembdbcancel[組み込み DB セットアップ識別子]{1 2 3 4}. log		4,096	4,096	1,024
	<i>Mgr_Path</i> ¥log¥embdb ¥ajsembdbunset[組み込み DB セットアップ識別子]{1 2 3 4}. log		4,096	4,096	1,024
	<i>Mgr_Path</i> ¥log¥embdb ¥ajsembdbbuild[組み込み DB セットアップ識別子]{1 2 3 4}. log		4,096	4,096	1,024
	<i>Mgr_Path</i> ¥log¥embdb ¥ajsembdbsetup[組み込み DB セットアップ識別子]{1 2 3 4}. log		4,096	4,096	1,024
	<i>Mgr_Path</i> ¥log¥embdb ¥ajsembdbstatus[組み込み DB セットアップ識別子]{1 2 3 4}. log		4,096	4,096	1,024
	<i>Mgr_Path</i> ¥log¥embdb ¥ajsembdbinstl{1 2 3 4}. log		4,096	4,096	1,024
	<i>Mgr_Path</i> ¥log¥embdb ¥ajsembdbuninstl{1 2 3 4}. log		4,096	4,096	1,024

ログの種類	ログファイル名・フォルダ名	出力される情報の内容	デフォルトのディスク占有量※1	最大ディスク占有量※1	ファイルの切り替え時期※2
組み込み DB 操作コマンド実行ログ※5	<i>Mgr_Path</i> ¥log¥embdb ¥ajsembdbmaintain{1 2 3 4}. log	組み込み DB の操作コマンドによって出力されるログ※3	4,096	4,096	1,024
エージェント管理トレースログ※5	<i>Mgr_Path</i> ¥log¥ajsagttrace	— ※3,※8	20,480	20,480	ラップアラウンド
エージェント管理ログ	<i>Mgr_Path</i> ¥log¥ajsagtmpd{1 2}. log	エージェント管理制御のエージェント情報※3	8,192	8,192	4,096
通信制御トレースログ	<i>Mgr_Path</i> ¥log¥ttrace log-nw	— ※3,※8	40,960	40,960	ラップアラウンド
通信制御ログ	<i>Mgr_Path</i> ¥log¥ajsnetwd{1 2 3 4 5}. log	— ※3	51,200	51,200	10,240
エクスポートコマンドトレースログファイル※5	<i>Mgr_Path</i> ¥log ¥jajs_rpenvexport_[論理ホスト名]_{1 2 3 4}. log	— ※3	256	256	32
	<i>Mgr_Path</i> ¥log ¥ajsdbenvexport_[論理ホスト名]_{1 2 3 4}. log	— ※3	256	256	32
インポートコマンドトレースログファイル※5	<i>Mgr_Path</i> ¥log ¥jajs_rpenvimport_[論理ホスト名]_{1 2 3 4}. log	— ※3	256	256	32
	<i>Mgr_Path</i> ¥log ¥ajsdbenvimport_[論理ホスト名]_{1 2 3 4}. log	— ※3	256	256	32
移行コマンド実行ログ※5	<i>Mgr_Path</i> ¥log ¥JP1AJS3_DBCnvExport_{1 2 3 4 5 6 7 8 9 10 11 12 13 14 15 16 17 18 19 20}. log※28	移行コマンドによって出力されるログ※3	10	200	ajscnvdbexport コマンド実行時
	<i>Mgr_Path</i> ¥log ¥JP1AJS3_DBCnvImport_{1 2 3 4 5 6 7 8 9 10 11 12 13 14 15 16 17 18 19 20}. log※28		10	200	ajscnvdbimport コマンド実行時
ajsdbmgrd 内部ログ	<i>Mgr_Path</i> ¥log¥ajsdbmgrd_[組み込み DB セットアップ識別子]{1 2}. log	DB 稼働制御プロセスの内部ログ※3	8,192	8,192	4,096

ログの種類	ログファイル名・フォルダ名	出力される情報の内容	デフォルトのディスク占有量※1	最大ディスク占有量※1	ファイルの切り替え時期※2
フレキシブルジョブ実行要求元ログファイル※5	<i>Mgr_Path</i> ¥log¥ajsfxreq{1 2}.log	フレキシブルジョブの実行要求元(マネージャーホスト※31)で出力されるログ	20,480	4,000,000	環境設定のログファイルのサイズ(10,240)
フレキシブルジョブ実行先ログファイル※5	<i>Mgr_Path</i> ¥log¥ajsfxexec{1 2}.log	フレキシブルジョブの実行先(宛先エージェント)で出力されるログ	20,480	4,000,000	環境設定のログファイルのサイズ(10,240)
フレキシブルジョブトレースログファイル※5	<i>Mgr_Path</i> ¥log¥ajsfxtrace	—※3,※8	20,480	20,480	ラップアラウンド
一斉配信エージェントおよび一斉配信の宛先エージェントログファイル※5	<i>Mgr_Path</i> ¥log¥ajsfxbcctl{1 2}.log	—※3	20,480	4,000,000	環境設定のログファイルのサイズ(10,240)
一斉配信エージェントログファイル※5	<i>Mgr_Path</i> ¥log¥ajsfxdstr{1 2}.log	一斉配信エージェントで出力するログ	40,960	4,000,000	環境設定のログファイルのサイズ(20,480)
HTTP 接続ジョブ実行内部トレースログファイル※5	<i>Mgr_Path</i> ¥log¥ajshttptrace	—※3,※8	20,480	20,480	ラップアラウンド
エージェント監視トレースログファイル※5	<i>Mgr_Path</i> ¥log¥tracelog.agm	—※3,※8	20,480	20,480	ラップアラウンド

注※1

単位が記載されていない場合、「デフォルトのディスク占有量」「最大ディスク占有量」の単位は、「キロバイト」です。括弧内の値は、「ギガバイト」で表したときの値です。

注※2

「ファイルの切り替え時期」の括弧内の値は、ログファイルが切り替わるタイミングのデフォルトを記載しています。単位は「キロバイト」です。

注※3

出力される情報の形式は公開していません。

注※4

ディスク占有量を変更できます。変更時は、`jajs_config` コマンドで環境設定パラメーター `LOGSIZE` を設定してください。

ディスク占有量の見積もり方法については、マニュアル「JP1/Automatic Job Management System 3 設計ガイド（システム構築編） 3.4.1 スケジューラーログファイルのサイズを見積もる」を参照してください。

注※5

クラスタ運用時にもデフォルトのフォルダに出力されます。

注※6

ディスク占有量を変更できます。変更時は、ajstrsetsz コマンドを使用してください。

注※7

ディスク占有量を変更できます。ディスク占有量を変更するときは、マニュアル「JP1/Automatic Job Management System 3 設計ガイド（システム構築編） 3.4.3 イベントジョブが出力するログのサイズを見積もる」を参照してください。

注※8

バイナリー情報のため参照できません。

注※9

JP1/AJS3 のインストール方法によって、クラスタ運用時のファイル名称が異なります。クラスタ運用時のファイル名称を次に示します。

- JP1/AJS3 09-00 以降を新規インストールした場合
jpqmanexec{1|2|3|4|5|6|7|8|9|10|11|12|13|14|15}.log
- JP1/AJS2 から JP1/AJS3 にバージョンアップインストールした場合
バージョンアップインストール前に論理ホストを構築していたとき、クラスタ運用時のログファイルの名称は、JP1/AJS2 のときのファイル名称を引き継ぎます。
jpqExecLog_man{1|2|3|4|5|6|7|8|9|10|11|12|13|14|15}.log

注※10

ディスク占有量を変更できます。ディスク占有量を変更するときは、マニュアル「JP1/Automatic Job Management System 3 設計ガイド（システム構築編） 7.1.4 QUEUE ジョブ、サブミットジョブ実行環境のログのサイズを見積もる」を参照してください。

注※11

ディスク占有量を変更できます。ディスク占有量を変更するときは、マニュアル「JP1/Automatic Job Management System 3 設計ガイド（システム構築編） 3.4.5 ジョブ実行環境のログのサイズを見積もる」を参照してください。

注※12

クラスタ運用時はファイル名称が異なります。クラスタ運用時のファイル名称を次に示します。

1. jajs_maintain_manager_[論理ホスト名]{1|2|3|4}.log
2. jajs_maintain_[スケジューラーサービス名]_[論理ホスト名]{1|2|3|4}.log

注※13

クラスタ運用時はファイル名称が異なります。クラスタ運用時のファイル名称を次に示します。

1. jpqautocond_[論理ホスト名]{1|2|3|4}. log
2. schedule¥ajsautocond_[論理ホスト名]{1|2|3|4}. log

注※14

ディスク占有量を変更できます。変更時は、ajschktrsetsz コマンドを使用してください。JP1/AJS3 Check Manager 機能、または JP1/AJS3 Check Agent 機能を使用しない場合、トレースログファイルは作成されません。

注※15

ディスク占有量を変更できます。変更時は、jajs_config コマンドで環境設定パラメーターAJSQ_LOGSIZE を設定してください。

ディスク占有量の見積もり方法については、マニュアル「JP1/Automatic Job Management System 3 設計ガイド（システム構築編） 7.2.1(1) キューレスログファイルのサイズを見積もる」を参照してください。

注※16

ディスク占有量を変更できます。変更時は、ajsqltrsetsz コマンドを使用してください。

注※17

JP1/AJS3 のインストール方法によって、クラスタ運用時のファイル名称が異なります。クラスタ運用時のファイル名称を次に示します。

- JP1/AJS3 09-00 以降を新規インストールした場合
jqpagtexec{1|2|3|4|5|6|7|8}. log
- JP1/AJS2 から JP1/AJS3 にバージョンアップインストールした場合
バージョンアップインストール前に論理ホストを構築していたとき、クラスタ運用時のログファイルの名称は、JP1/AJS2 のときのファイル名称を引き継ぎます。
jqpExecLog_agt{1|2|3|4|5|6|7|8}. log

注※18

JP1/AJS3 のインストール方法によって、クラスタ運用時のファイル名称が異なります。クラスタ運用時のファイル名称を次に示します。

- JP1/AJS3 09-00 以降を新規インストールした場合
jqpagtexecmon{1|2|3|4|5|6|7|8}. log
- JP1/AJS2 から JP1/AJS3 にバージョンアップインストールした場合
バージョンアップインストール前に論理ホストを構築していたとき、クラスタ運用時のログファイルの名称は、JP1/AJS2 のときのファイル名称を引き継ぎます。
jqpExecLog_agtmon{1|2|3|4|5|6|7|8}. log

注※19

JP1/AJS3 のインストール方法によって、クラスタ運用時のファイル名称が異なります。クラスタ運用時のファイル名称を次に示します。

- JP1/AJS3 09-00 以降を新規インストールした場合

jpqcliexec{1|2}.log

- JP1/AJS2 から JP1/AJS3 にバージョンアップインストールした場合

バージョンアップインストール前に論理ホストを構築していたとき、クラスタ運用時のログファイルの名称は、JP1/AJS2 のときのファイル名称を引き継ぎます。

jpqExecLog_cli{1|2}.log

注※20

ディスク占有量を変更できます。変更時は、マニュアル「JP1/Automatic Job Management System 3 構築ガイド 20.7 JP1/AJS3 定義内容の事前チェック機能の設定」を参照してください。

注※21

ディスク占有量を変更できます。変更時は、マニュアル「JP1/Automatic Job Management System 3 構築ガイド 20.4 スケジューラサービス環境設定」を参照してください。

注※22

ログ出力先フォルダは、定義キー[`{JP1_DEFAULT|論理ホスト名}¥JP1AJSMANAGER¥スケジューラサービス名`]の環境設定パラメーターAJSLOGDIR の設定で変更できます。

注※23

Mgr_Path の内容は、定義キー[`{JP1_DEFAULT|論理ホスト名}¥JP1AOMMANAGER`]および[`{JP1_DEFAULT|論理ホスト名}¥JP1AOMAGENT`]の環境設定パラメーターWaitInfFileOutDir の設定で変更できます。

注※24

ディスク占有量を変更できます。変更時は、ajsqlxecsetsz コマンドを使用してください。

ajsqlxecsetsz コマンドの詳細については、マニュアル「JP1/Automatic Job Management System 3 コマンドリファレンス 4. 特別な運用で使用するコマンド ajsqlxecsetsz」を参照してください。

また、ディスク占有量の見積もり方法については、マニュアル「JP1/Automatic Job Management System 3 設計ガイド (システム構築編) 7.2.1(3) キューレスジョブ実行内部ログファイルのサイズを見積もる」を参照してください。

注※25

クラスタ運用時はファイル名称が異なります。クラスタ運用時のファイル名称を次に示します。

`Mgr_Path¥log¥ajsqlxeclog-[論理ホスト名]`

フルパス名が 256 バイト以上である場合、[論理ホスト名]は論理ホスト名の先頭から 30 バイトとなります。

注※26

最新の実行結果は、「01」のログファイルに出力されます。コマンドが実行されると、ログファイルはそれぞれ+1した数値のファイル名にリネームされ、「01」のログファイルが新たに作成されます。ログファイル名の最大数値までファイルがある状態でコマンドを実行すると、いちばん大きな数値のログファイルにあるログ情報が破棄されます。

注※27

無限に大きくなります。必要に応じて退避、削除してください。

注※28

最新の実行結果は、いちばん大きな数値のログファイルに出力されます。ログファイル名の最大数値までファイルがある状態でコマンドを実行すると、「01」のログファイルにあるログ情報が破棄されます。

注※29

クラスタ運用時も、物理ホスト上のフォルダに出力されます。そのため、*Mgr_Path* の内容は、クラスタ運用の場合も、定義キー[JP1_DEFAULT¥JP1AOMAGENT]の環境設定パラメーターWaitInfFileOutDir の設定で変更できます。

注※30

ディスク占有量を変更できます。変更時は、マニュアル「JP1/Automatic Job Management System 3 構築ガイド 20.10 キューレスジョブ実行環境設定」を参照してください。

注※31

中継する場合は中継エージェント、中継しない場合はマネージャーホストに出力されます。

注※32

ディスク占有量を変更できます。変更時は、マニュアル「JP1/Automatic Job Management System 3 構築ガイド 20.3 システム管理の環境設定」を参照してください。

表 1-5 JP1/AJS3 - Agent のログファイルおよびフォルダ一覧 (Windows の場合)

ログの種類	ログファイル名・フォルダ名	出力される情報の内容	デフォルトのディスク占有量※1	最大ディスク占有量※1	ファイルの切り替え時期※2
システム管理 ログ※22	<i>Agt_Path</i> ¥log¥JAJS_SPMD{1 2 3}.log	JP1/AJS3 サービスの起動・停止・状態確認時のトレースログ※3	384	33,554,432 (32 ギガバイト)	ログ設定でのログサイズ (128)
	<i>Agt_Path</i> ¥log¥JAJS_SPMD_COMMAND{1 2 3}.log		384	33,554,432 (32 ギガバイト)	ログ設定でのログサイズ (128)
	<i>Agt_Path</i> ¥log¥JAJS_SERVICE{1 2 3}.log		384	33,554,432 (32 ギガバイト)	ログ設定でのログサイズ (128)
ライセンス管理 ログ	<i>Agt_Path</i> ¥log¥hliclibtrc{1 2 3 4 5}.log	ライセンス管理用のログファイル※3	5,120	5,120	1,024
	<i>Agt_Path</i> ¥log¥hlicliberr{1 2 3 4 5}.log		5,120	5,120	1,024
	<i>Agt_Path</i> ¥log¥hliclibmgrtrc{1 2 3 4 5}.log		5,120	5,120	1,024
	<i>Agt_Path</i> ¥log¥hliclibmgrerr{1 2 3 4 5}.log		5,120	5,120	1,024
	<i>Agt_Path</i> ¥log¥hliclibtrc.conf	ライセンス管理用のログファイルの管理ファイル※3	256 バイト	256 バイト	ラップアラウンド

1. トラブルへの対処手順と必要な資料

ログの種類	ログファイル名・フォルダ名	出力される情報の内容	デフォルトのディスク占有量※1	最大ディスク占有量※1	ファイルの切り替え時期※2
ライセンス管理ログ	<i>Agt_Path</i> ¥log¥hlicliberr.conf	ライセンス管理用のログファイルの管理ファイル※3	256 バイト	256 バイト	ラップアラウンド
	<i>Agt_Path</i> ¥log¥hliclibmgrtrc.conf		256 バイト	256 バイト	ラップアラウンド
	<i>Agt_Path</i> ¥log¥hliclibmgrerr.conf		256 バイト	256 バイト	ラップアラウンド
ジョブ実行エージェントログ※7	<i>Agt_Path</i> ¥log¥jppqagtexec{1 2 3 4 5 6 7 8}.log※11	ジョブ実行時のジョブ実行制御エージェントプロセスのトレースログ※3	4,096	524,288	ログ設定でのログサイズ (512)
	<i>Agt_Path</i> ¥log¥jppqagtexecmon{1 2 3 4 5 6 7 8}.log※12		4,096	524,288	ログ設定でのログサイズ (512)
ジョブ実行クライアントログ※7	<i>Agt_Path</i> ¥log¥jppqcliexec{1 2}.log※13	jppqxxxx コマンド JppqxxxxAPI の実行トレースログ※3	1,024	524,288	ログ設定でのログサイズ (512)
イベント・アクション制御エージェントログ※4	<i>Agt_Path</i> ¥log¥jppoagent{1 2 3 4 5 6 7 8}.log※15	イベントジョブ実行時のイベント・アクション制御エージェントのトレースログ※3	8,192	16,777,216 (16 ギガバイト)	ログ設定でのログサイズ (1,024)
	<i>Agt_Path</i> ¥log¥jppoagsub{1 2 3 4 5 6 7 8 9 10 11 12 13 14 15 16}.log※15		16,384	16,777,216 (16 ギガバイト)	ログ設定でのログサイズ (1,024)
イベント監視ログ※4	<i>Agt_Path</i> ¥log¥jpoeventwatch{1 2 3 4 5 6 7 8}.log※15	JP1 イベント受信監視ジョブ・Windows イベントログ監視ジョブ・ログファイル監視ジョブ実行時のトレースログ※3	8,192	16,777,216 (16 ギガバイト)	ログ設定でのログサイズ (1,024)
イベント検索ログ※4	<i>Agt_Path</i> ¥log¥jpoevsearch{1 2}.log※15	JP1 イベント受信監視ジョブの実行前イベント検索実行時のトレースログ※3	256	16,777,216 (16 ギガバイト)	ログ設定でのログサイズ (128)
ファイル監視ログ※4	<i>Agt_Path</i> ¥log¥jpocwtfMain{1 2 3 4 5 6 7 8 9 10 11 12 13}.log※15	ファイル監視ジョブ実行時のトレースログ※3	26,624	16,777,216	ログ設定でのログサイズ (2,048)

ログの種類	ログファイル名・フォルダ名	出力される情報の内容	デフォルトのディスク占有量※1	最大ディスク占有量※1	ファイルの切り替え時期※2
ファイル監視ログ※4	<i>Agt_Path</i> ¥log¥jpocwtfMain{1 2 3 4 5 6 7 8 9 10 11 12 13}.log ※15	ファイル監視ジョブ実行時のトレースログ※3	26,624	(16 ギガバイト)	ログ設定でのログサイズ (2,048)
実行間隔制御ログ※4	<i>Agt_Path</i> ¥log¥jpocwtmMain{1 2 3 4 5 6}.log ※15	実行間隔制御ジョブ実行時のトレースログ※3	1,536	16,777,216 (16 ギガバイト)	ログ設定でのログサイズ (256)
メール監視ログ (共通) ※4	<i>Agt_Path</i> ¥log¥jpocwtmMain{1 2}.log ※15	メール連携機能を使用したときのメール受信監視ジョブ・メール送信ジョブ実行時のトレースログ※3	256	16,777,216 (16 ギガバイト)	ログ設定でのログサイズ (128)
	<i>Agt_Path</i> ¥log¥jpomlapiSend{1 2}.log ※19		256	16,777,216 (16 ギガバイト)	ログ設定でのログサイズ (128)
	<i>Agt_Path</i> ¥log¥jpomlapiRec{1 2}.log ※19		256	16,777,216 (16 ギガバイト)	ログ設定でのログサイズ (128)
	<i>Agt_Path</i> ¥log¥jpomlapiSend2{1 2}.log ※19		256	16,777,216 (16 ギガバイト)	ログ設定でのログサイズ (128)
	<i>Agt_Path</i> ¥log¥jpomlapiRec2{1 2}.log ※19		256	16,777,216 (16 ギガバイト)	ログ設定でのログサイズ (128)
メール監視ログ (メール連携をデスクトップ上で 行う場合) ※4	<i>Agt_Path</i> ¥log¥jpomldsk{1 2}.log ※19		256	16,777,216 (16 ギガバイト)	ログ設定でのログサイズ (128)
メール監視ログ (メール連携をサービス上で 行う場合) ※4	<i>Agt_Path</i> ¥log¥jpomlsrv{1 2}.log ※19		256	16,777,216 (16 ギガバイト)	ログ設定でのログサイズ (128)
Outlook を使用しないメール送信 ジョブのログ	<i>Agt_Path</i> ¥sys¥prf¥プロファイル名¥telsmail.{log old}※15	Outlook を使用しないメール送信ジョブ実行時のトレースログ※3	4,096	19,998	ログ設定でのログサイズ (2,048)

ログの種類	ログファイル名・フォルダ名	出力される情報の内容	デフォルトのディスク占有量※1	最大ディスク占有量※1	ファイルの切り替え時期※2
Outlook を使用しないメール送信ジョブのログ	<i>Agt_Path</i> ¥sys¥prf¥プロファイル名¥smai ldbg. {log old}※15	Outlook を使用しないメール送信ジョブ実行時のトレースログ※3	4,096	19,998	ログ設定でのログサイズ (2,048)
	<i>Agt_Path</i> ¥sys¥prf¥プロファイル名¥protocol. {log old}※15		4,096	19,998	ログ設定でのログサイズ (2,048)
Cm2 連携ログ	<i>Agt_Path</i> ¥log¥jpoovlink{1 2}. log※6	JP1/Cm2/NNM または HP NNM を使った監視を行う場合のトレースログ※3	512	512	256
ジョブ実行内部ログ※7	<i>Agt_Path</i> ¥log¥jppqagent ¥jppqagt_{00 01 02 03 04 05 06 07}. log	—※3,※5	4,096	1,048,576	ログ設定でのログサイズ (512)
	<i>Agt_Path</i> ¥log¥jppqagent ¥jppqmon_{00 01 02 03 04 05 06 07}. log	—※3,※5	4,096	1,048,576	ログ設定でのログサイズ (512)
	<i>Agt_Path</i> ¥log¥jppqagent ¥jppqjpagt_{00 01 02 03 04 05 06 07}. log	—※3,※5	4,096	1,048,576	ログ設定でのログサイズ (512)
	<i>Agt_Path</i> ¥log¥jppqagent ¥jppqjpdata_{00 01}. log	—※3,※5	1,024	1,048,576	ログ設定でのログサイズ (512)
ジョブ実行内部ログ※7	<i>Agt_Path</i> ¥log¥jppqclient ¥jppqclient_{00 01 02 03 04 05 06 07 08 09}. log	—※3,※5	10,240	1,048,576	ログ設定でのログサイズ (1,024)
	<i>Agt_Path</i> ¥log¥jppqclient ¥jppqclientnjp_{00 01 02 03 04 05 06 07 08 09}. log	—※3,※5	10,240	1,048,576	ログ設定でのログサイズ (1,024)
	<i>Agt_Path</i> ¥log¥jppqclient ¥jppqjpdata_{00 01}. log	—※3,※5	1,024	1,048,576	ログ設定でのログサイズ (512)
イベント・アクション共通ログ※4,※6	<i>Agt_Path</i> ¥log¥jpocommonerr{1 2}. log	—※3	16,384	4,194,304 (4 ギガバイト)	ログ設定でのログサイズ (8,192)
jajs_config コマンドトレースログファイル	<i>Agt_Path</i> ¥log¥jajs_config_{1 2}. log	環境設定パラメータの設定時に出力されるログ※3	1	256	128

ログの種類	ログファイル名・フォルダ名	出力される情報の内容	デフォルトのディスク占有量※1	最大ディスク占有量※1	ファイルの切り替え時期※2
jajs_setup_cluster コマンドトレースログファイル※6	<i>Agt_Path</i> ¥log ¥jajs_setup_cluster_{01 02 03 04 05 06 07 08 09 10 11 12 13 14 15 16 17 18 19 20}.log※18	クラスタ環境の環境設定時に出力されるログ※3	200	200	jajs_setup_cluster コマンド実行時
jajs_pmtcon コマンドトレースログファイル	<i>Agt_Path</i> ¥log¥jajs_pmtcon_{1 2}.log	接続元制限の設定時に出力されるログ※3	1	256	128
キューレスログファイル※9	<i>Agt_Path</i> ¥log¥ajsql-log{1 2}.log	キューレスエージェントサービスのジョブ実行情報	16,384	4,000,000	環境設定のキューレスログファイルのサイズ (8,192)
キューレストレースログファイル※6,※10	<i>Agt_Path</i> ¥log¥tracelog.ql	キューレスジョブ、およびキューレスジョブ実行制御関連コマンド実行時のトレースログ※3,※5	15,360	2,097,151	ラップアラウンド
キューレスジョブ実行内部ログ※16	<i>Agt_Path</i> ¥log¥ajsqlexeclog※6,※17	キューレスジョブ実行時のトレースログ※3,※5	24,576	2,097,151	ラップアラウンド
キューレスジョブのステータスファイル※20	<i>Agt_Path</i> ¥log¥ajsqlstat.dat	実行中のキューレスジョブの情報※3, ※5	2,048	2,000,000	ラップアラウンド
定義チェックログファイル※6, ※14	<i>Agt_Path</i> ¥log¥ajcheck{1 2}.log	定義内容の事前チェックログ	8,192	4,000,000	環境設定の定義チェックのログファイルサイズ
定義チェックトレースログファイル※6, ※8	<i>Agt_Path</i> ¥log¥tracelog.ch	定義内容の事前チェックによって出力されるトレースログ※3,※5	3,072	2,097,151	ラップアラウンド
フレキシブルジョブ実行要求元ログファイル※6	<i>Agt_Path</i> ¥log¥ajsfxreq{1 2}.log	フレキシブルジョブの実行要求元(中継エージェント※21)で出力されるログ	20,480	4,000,000	環境設定のログファイルのサイズ (10,240)
フレキシブルジョブ実行先ログファイル※6	<i>Agt_Path</i> ¥log¥ajsfxexec{1 2}.log	フレキシブルジョブの実行先(宛先エージェント)で出力されるログ	20,480	4,000,000	環境設定のログファイルのサイズ (10,240)

ログの種類	ログファイル名・フォルダ名	出力される情報の内容	デフォルトのディスク占有量※1	最大ディスク占有量※1	ファイルの切り替え時期※2
フレキシブルジョブトレースログファイル※6	<i>Agt_Path</i> ¥log¥ajsfxtrace	—※3,※5	20,480	20,480	ラップアラウンド
一斉配信エージェントおよび一斉配信の宛先エージェントログファイル※6	<i>Agt_Path</i> ¥log¥ajsfxbcctl{1 2}.log	—※3	20,480	4,000,000	環境設定のログファイルのサイズ (10,240)
一斉配信エージェントログファイル※6	<i>Agt_Path</i> ¥log¥ajsfxdstr{1 2}.log	一斉配信エージェントで出力するログ	40,960	4,000,000	環境設定のログファイルのサイズ (20,480)
HTTP 接続ジョブ実行内部トレースログファイル※6	<i>Agt_Path</i> ¥log¥ajshttpttrace	—※3,※5	20,480	20,480	ラップアラウンド
ジョブ実行履歴ログファイル※23,※24	<i>Agt_Path</i> ¥log¥jppqjobhistory{0 1}.log	JP1/AJS3 - Agent Minimal Edition で出力するジョブの実行履歴ログ	1,024	65,536	環境設定のログファイルのサイズ (512)

注※1

単位が記載されていない場合、「デフォルトのディスク占有量」「最大ディスク占有量」の単位は、「キロバイト」です。括弧内の値は、「ギガバイト」で表したときの値です。

注※2

「ファイルの切り替え時期」の括弧内の値は、ログファイルが切り替わるタイミングのデフォルトを記載しています。単位は「キロバイト」です。

注※3

出力される情報の形式は公開していません。

注※4

ディスク占有量を変更できます。ディスク占有量を変更するときは、マニュアル「JP1/Automatic Job Management System 3 設計ガイド (システム構築編) 3.4.3 イベントジョブが出力するログのサイズを見積もる」を参照してください。

注※5

バイナリー情報のため参照できません。

注※6

クラスタ運用時にもデフォルトのフォルダに出力されます。

注※7

ディスク占有量を変更できます。ディスク占有量を変更するときは、マニュアル「JP1/Automatic Job Management System 3 設計ガイド（システム構築編） 3.4.5 ジョブ実行環境のログのサイズを見積もる」を参照してください。

注※8

ディスク占有量を変更できます。変更時は、`ajschktrsetsz` コマンドを使用してください。JP1/AJS3 Check Agent 機能を使用しない場合、トレースログファイルは作成されません。

注※9

ディスク占有量を変更できます。変更時は、`jajs_config` コマンドで環境設定パラメーター `AJSQL_LOGSIZE` の指定を変更してください。

ディスク占有量の見積もり方法については、マニュアル「JP1/Automatic Job Management System 3 設計ガイド（システム構築編） 7.2.1(1) キューレスログファイルのサイズを見積もる」を参照してください。

注※10

ディスク占有量を変更できます。変更時は、`ajsqldrsetsz` コマンドを使用してください。

注※11

JP1/AJS3 のインストール方法によって、クラスタ運用時のファイル名称が異なります。クラスタ運用時のファイル名称を次に示します。

- JP1/AJS3 09-00 以降を新規インストールした場合
`jqagtextec{1|2|3|4|5|6|7|8}.log`
- JP1/AJS2 から JP1/AJS3 にバージョンアップインストールした場合
バージョンアップインストール前に論理ホストを構築していたとき、クラスタ運用時のログファイルの名称は、JP1/AJS2 のときのファイル名称を引き継ぎます。
`jqqExecLog_agt{1|2|3|4|5|6|7|8}.log`

注※12

JP1/AJS3 のインストール方法によって、クラスタ運用時のファイル名称が異なります。クラスタ運用時のファイル名称を次に示します。

- JP1/AJS3 09-00 以降を新規インストールした場合
`jqagtextecmon{1|2|3|4|5|6|7|8}.log`
- JP1/AJS2 から JP1/AJS3 にバージョンアップインストールした場合
バージョンアップインストール前に論理ホストを構築していたとき、クラスタ運用時のログファイルの名称は、JP1/AJS2 のときのファイル名称を引き継ぎます。
`jqqExecLog_agtmon{1|2|3|4|5|6|7|8}.log`

注※13

JP1/AJS3 のインストール方法によって、クラスタ運用時のファイル名称が異なります。クラスタ運用時のファイル名称を次に示します。

- JP1/AJS3 09-00 以降を新規インストールした場合
jppcliexec{1|2}.log
- JP1/AJS2 から JP1/AJS3 にバージョンアップインストールした場合
バージョンアップインストール前に論理ホストを構築していたとき、クラスタ運用時のログファイルの名称は、JP1/AJS2 のときのファイル名称を引き継ぎます。
jppExecLog_cli{1|2}.log

注※14

ディスク占有量を変更できます。変更時は、マニュアル「JP1/Automatic Job Management System 3 構築ガイド 20.7 JP1/AJS3 定義内容の事前チェック機能の設定」を参照してください。

注※15

Agt_Path の内容は、定義キー[{JP1_DEFAULT|論理ホスト名}¥JP1AOMAGENT]の環境設定パラメーター WaitInFileOutDir の設定で変更できます。

注※16

ディスク占有量を変更できます。変更時は、ajsqlxecsetsz コマンドを使用してください。
ajsqlxecsetsz コマンドの詳細については、マニュアル「JP1/Automatic Job Management System 3 コマンドリファレンス 4. 特別な運用で使用するコマンド ajsqlxecsetsz」を参照してください。
また、ディスク占有量の見積もり方法については、マニュアル「JP1/Automatic Job Management System 3 設計ガイド (システム構築編) 7.2.1(3) キューレスジョブ実行内部ログファイルのサイズを見積もる」を参照してください。

注※17

クラスタ運用時はファイル名称が異なります。クラスタ運用時のファイル名称を次に示します。

Agt_Path¥log¥ajsqlxeclog-[論理ホスト名]

フルパス名が 256 バイト以上である場合、[論理ホスト名]は論理ホスト名の先頭から 30 バイトとなります。

注※18

最新の実行結果は、「01」のログファイルに出力されます。コマンドが実行されると、ログファイルはそれぞれ+1した数値のファイル名にリネームされ、「01」のログファイルが新たに作成されます。ログファイル名の最大数値までファイルがある状態でコマンドを実行すると、いちばん大きな数値のログファイルにあるログ情報が破棄されます。

注※19

クラスタ運用時も、物理ホスト上のフォルダに出力されます。そのため、Agt_Path の内容は、クラスタ運用の場合も、定義キー[JP1_DEFAULT¥JP1AOMAGENT]の環境設定パラメーターWaitInFileOutDir の設定で変更できます。

注※20

ディスク占有量を変更できます。変更時は、マニュアル「JP1/Automatic Job Management System 3 構築ガイド 20.10 キューレスジョブ実行環境設定」を参照してください。

注※21

中継する場合は中継エージェント，中継しない場合はマネージャーホストに出力されます。

注※22

ディスク占有量を変更できます。変更時は，マニュアル「JP1/Automatic Job Management System 3 構築ガイド 20.3 システム管理の環境設定」を参照してください。

注※23

JP1/AJS3 - Agent Minimal Edition 専用のログファイルです。JP1/AJS3 - Agent では出力されません。

注※24

ディスク占有量を変更できます。変更時は，マニュアル「JP1/Automatic Job Management System 3 設計ガイド（システム構築編） 付録 G.2(3) ジョブ実行履歴ログファイルの見積もり」を参照してください。

表 1-6 JP1/AJS3 - View のログファイルおよびフォルダ一覧（Windows の場合）

ログの種類	ログファイル名・フォルダ名	出力される情報の内容	デフォルトのディスク占有量※1	最大ディスク占有量※1	ファイルの切り替え時期
JP1/AJS3 - View ログ	<i>View_Path</i> ¥log¥ajs.log	—※2	—	1,024	JP1/AJS3 - View 終了時
JP1/AJS3 - View 情報ログ ※3, ※4	<i>View_Path</i> ¥log ¥ajs2view[<i>#nnnn</i>]*3, ※4{1 2}* 5.log*6	—※2	2,048	1,048,576	[環境設定] ダイアログボックスで指定したログファイルの上限値
ライセンス管理 ログ	<i>View_Path</i> ¥log¥hliclibtrc{1 2 3 4 5}.log	ライセンス管理用のログファイル*2	5,120	5,120	1,024
	<i>View_Path</i> ¥log¥hlicliberr{1 2 3 4 5}.log		5,120	5,120	1,024
	<i>View_Path</i> ¥log¥hliclibmgrtrc{1 2 3 4 5}.log		5,120	5,120	1,024
	<i>View_Path</i> ¥log¥hliclibmgrerr{1 2 3 4 5}.log		5,120	5,120	1,024
	<i>View_Path</i> ¥log¥hliclibtrc.conf	ライセンス管理用のログファイルの管理ファイル*2	256 バイト	256 バイト	ラップアラウンド
	<i>View_Path</i> ¥log¥hlicliberr.conf	256 バイト	256 バイト	ラップアラウンド	
	<i>View_Path</i> ¥log ¥hliclibmgrtrc.conf	256 バイト	256 バイト	ラップアラウンド	
	<i>View_Path</i> ¥log ¥hliclibmgrerr.conf	256 バイト	256 バイト	ラップアラウンド	

1. トラブルへの対処手順と必要な資料

ログの種類	ログファイル名・フォルダ名	出力される情報の内容	デフォルトのディスク占有量※1	最大ディスク占有量※1	ファイルの切り替え時期
カスタムジョブ登録プログラムのログ	<i>View_Path</i> ¥log¥ajscjobregm. log	—※2	—	1,024	[カスタムジョブの登録] ダイアログボックス終了時
	<i>View_Path</i> ¥log¥cjobregm[#nnnn_]※3{1 2}※5. log ※6	カスタムジョブ登録時に出力されるログ※2	2,048	2,048	1,024

注※1

単位が記載されていない場合、「デフォルトのディスク占有量」「最大ディスク占有量」の単位は、「キロバイト」です。

注※2

出力される情報の形式は公開していません。

注※3

複数起動時の場合は、「#nnnn_」の nnnn には 0001～9999 の任意の値が割り当てられます。複数起動しない場合は「#nnnn_」の部分が省略されます。

「デフォルトのディスク占有量」および「最大ディスク占有量」には、複数起動しない場合の値を記載しています。

注※4

ディスク占有量を変更できます。変更時は、JP1/AJS3 - View の [環境設定] ダイアログボックスの [その他] タブで、[ログファイルの上限値] の指定を変更してください。

注※5

{1|2} の部分はログファイルの面数を示します。面数は「2」で固定です。

面数「1」のファイルの容量が上限に達すると、面数「2」のファイルに続けて出力されます。面数「2」のファイルの容量も上限に達すると、面数「1」のファイルにすでに書き込まれている情報を消去したあと、面数「1」のファイルに出力されます。

注※6

リモートデスクトップ複数接続機能が有効の場合、ログファイルの出力先が次のフォルダに変更されます。なお、「OS ユーザー名」にはドメイン名の情報は含まれません。

View_Path¥log¥OSユーザー名

リモートデスクトップ複数接続機能については、マニュアル「JP1/Automatic Job Management System 3 操作ガイド 11.2.7 複数のリモートデスクトップ接続から同時に JP1/AJS3 - View を操作する」を参照してください。

表 1-7 JP1/AJS3 - Web Console のログファイルおよびフォルダ一覧 (Windows の場合)

ログの種類	ログファイル名・フォルダ名	出力される情報の内容	デフォルトのディスク占有量※1	最大ディスク占有量※1	ファイルの切り替え時期
コマンドログ※2	Web_Path¥log¥ajswebsetup{1 2 3 4 5 6 7 8 9 10 11 12 13 14 15 16}. log	セットアップコマンド操作ログ	128	16,384	ラップアラウンド
	Web_Path¥log¥jajs_web_service{1 2 3 4 5 6 7 8 9 10 11 12 13 14 15 16}. log	サービスの起動停止ログ	128	16,384	ラップアラウンド
アプリケーションサーバログ※2	Web_Path¥log¥appserver{1 2 3 4 5 6 7 8 9 10 11 12 13 14 15 16}. log	操作ログおよびAPIへのリクエストのログ	8,192	16,384	ラップアラウンド
アプリケーションサーバ共通ログ	Web_Path¥log¥appserversys{1 2}. log	Web アプリケーションサーバの起動停止ログ	8,192	8,192	ラップアラウンド

注※1

単位が記載されていない場合、「デフォルトのディスク占有量」「最大ディスク占有量」の単位は、「キロバイト」です。

注※2

ディスク占有量を変更できます。変更時は、マニュアル「JP1/Automatic Job Management System 3 設計ガイド (システム構築編) 4.6.1(1) Web Console サーバのログのサイズと面数」を参照してください。

(2) UNIX の場合

UNIX 版 JP1/AJS3 のスケジューラーログおよび各機能のトレースログについて、ログファイル名およびディレクトリ名を表 1-9～表 1-11 に示します。

「ログの種類」には、JP1/AJS3 が出力するログの種類を記載しています。

「ログファイル名・ディレクトリ名」には、JP1/AJS3 のログファイル名をフルパスで記載しています。

クラスタ運用時のログ出力先ディレクトリは、特に注釈がない場合には、次の表に示すディレクトリに置き換えてください。

表 1-8 クラスタ運用時のログ出力先ディレクトリ

表 1-9～表 1-11 での表記	クラスタ運用時のログ出力先ディレクトリ
/var/opt/jp1ajs2/	共有ディスク名/jp1ajs2
/var/opt/jp1ajs3web/	共有ディスク名/jp1ajs3web

1. トラブルへの対処手順と必要な資料

「デフォルトのディスク占有量」には、環境設定がデフォルトの状態で開催した場合のディスク占有量を記載しています。ログファイルが複数ある場合は、その合計を記載しています。ログファイル容量を変更していない場合は、表で示す容量がログファイル容量です。

「最大ディスク占有量」には、定義を変更した場合も含めて、ログファイルの最大占有量を記載しています。ログファイルが複数ある場合は、その合計を記載しています。定義によって変化する値については最大の値を記載しています。

「ファイルの切り替え時期」には、JP1/AJS3 が出力先のログファイルを切り替えるタイミングを記載しています。値が示されていて、複数あるログファイルの場合、最大ディスク占有量に達したときには、更新日時の古いファイルから上書きします。括弧内の値は、ログファイルが切り替わるタイミングのデフォルトを記載しています。

表 1-9 JP1/AJS3 - Manager のログファイルおよびディレクトリ一覧 (UNIX の場合)

ログの種類	ログファイル名・ディレクトリ名	出力される情報の内容	デフォルトのディスク占有量※1	最大ディスク占有量※1	ファイルの切り替え時期※2
システム管理 ログ※27	/var/opt/jp1ajs2/log/ JAJS_SPMD{1 2 3}.log	JP1/AJS3 サービスの起動・停止・状態確認時のトレースログ※3	384	33,554,432 (32 ギガバイト)	ログ設定でのログサイズ (128)
	/var/opt/jp1ajs2/log/ JAJS_SPMD_COMMAND{1 2 3}.log		384	33,554,432 (32 ギガバイト)	ログ設定でのログサイズ (128)
	/var/opt/jp1ajs2/log/ JAJS_DBMD_[組み込み DB セット アップ識別子]{1 2 3}.log		384	33,554,432 (32 ギガバイト)	ログ設定でのログサイズ (128)
	/var/opt/jp1ajs2/log/ JAJS_HSTD{1 2 3}.log		384	33,554,432 (32 ギガバイト)	ログ設定でのログサイズ (128)
	/var/opt/jp1ajs2/log/ JAJS_AGTD{1 2 3}.log		384	33,554,432 (32 ギガバイト)	ログ設定でのログサイズ (128)
	/var/opt/jp1ajs2/log/ JAJS_SCHD_[スケジューラーサービス名]{1 2 3}.log		384	33,554,432 (32 ギガバイト)	ログ設定でのログサイズ (128)
スケジューラー ログ※4	/var/opt/jp1ajs2/log/schedule/ スケジューラーサービス名/ajs- log{1 2}.log	ジョブネット・ジョブ・スケジューラーサービスに関する稼働情報 (スケジューラーサービス単位で出力した場合)	20,480	4,000,000	環境設定のスケジューラーログファイルのサイズ (10,240)
	/var/opt/jp1ajs2/log/ajs-host- log{1 2}.log	ジョブネット・ジョブ・スケ	20,480	4,000,000	環境設定のホスト単位のスケ

ログの種類	ログファイル名・ディレクトリ名	出力される情報の内容	デフォルトのディスク占有量※1	最大ディスク占有量※1	ファイルの切り替え時期※2
スケジューラーログ※4	/var/opt/jp1ajs2/log/ajs-host-log{1 2}.log	ジューラーサービスに関する稼働情報（ホスト単位で出力した場合）	20,480	4,000,000	ジューラーログファイルのサイズ（10,240）
ajsinetd 内部ログ※5,※18	/var/opt/jp1ajs2/log/ajsinetd{1 2}.log	ネットワーク制御プロセスの内部ログ※3	256	4,000,000	ajsinetd 内部ログサイズ（128）
ajscdinetd 内部ログ※18	/var/opt/jp1ajs2/log/ajscdinetd{1 2}.log	JP1/AJS3 - Web Console および JP1/AJS3 - Software Development Kit のネットワーク制御プロセスの内部ログ※3	256	4,000,000	ajscdinetd 内部ログサイズ（128）
ajsmonsvr 内部ログ※18	/var/opt/jp1ajs2/log/ajscdmonsvr_スケジューラーサービス名_{1 2}.log	JP1/AJS3 - Web Console および JP1/AJS3 - Software Development Kit が接続する ajsmonsvr プロセスの内部ログ※3	8,192	32,768	ajsmonsvr 内部ログのサイズ（4,096）
トレースログ※5,※6	/var/opt/jp1ajs2/log/trace.log	スケジューラーサービス・ジョブネットに対する操作情報・トレースログ※3,※8	20,480	2,097,151	ラップアラウンド
スケジューラーサービス単位のトレースログ※5,※6	/var/opt/jp1ajs2/log/trace.log_スケジューラーサービス名	スケジューラーサービス・ジョブネットに対する操作情報・トレースログ※3, ※8	20,480	2,097,151	ラップアラウンド
ジョブ実行マネージャーログ	/var/opt/jp1ajs2/log/schedule/ jpqmanexec{1 2 3 4 5 6 7 8 9 10 11 12 13 14 15}.log※12	ジョブ実行時のジョブ実行制御マネージャープロセスのトレースログ※3	15,360	524,288	ログ設定でのログサイズ（1,024）
	/var/opt/jp1ajs2/log/jpqmanexec{1 2 3 4 5 6 7 8 9 10 11 12 13 14 15}.log※11				

ログの種類	ログファイル名・ディレクトリ名	出力される情報の内容	デフォルトのディスク占有量※1	最大ディスク占有量※1	ファイルの切り替え時期※2
ジョブ実行エージェントログ※12	/var/opt/jp1ajs2/log/jpqagtexec{1 2 3 4 5 6 7 8}.log	ジョブ実行時のジョブ実行制御エージェントプロセスのトレースログ※3	4,096	524,288	ログ設定でのログサイズ (512)
	/var/opt/jp1ajs2/log/jpqagteccld{1 2 3 4 5 6 7 8}.log		4,096	524,288	ログ設定でのログサイズ (512)
	/var/opt/jp1ajs2/log/jpqagtexecd{1 2 3 4 5 6 7 8}.log		4,096	524,288	ログ設定でのログサイズ (512)
	/var/opt/jp1ajs2/log/jpqagteccmn{1 2 3 4 5 6 7 8}.log		4,096	524,288	ログ設定でのログサイズ (512)
ジョブ実行クライアントログ※12	/var/opt/jp1ajs2/log/jpqcliexec{1 2}.log	jqpxxxx コマンド JpqxxxxAPI の実行トレースログ※3	1,024	524,288	ログ設定でのログサイズ (512)
ジョブ実行状態通知ログ※12	/var/opt/jp1ajs2/log/schedule/jpqnfexec{1 2}.log	ジョブ実行時のジョブ実行制御通信のトレースログ※3	1,024	524,288	ログ設定でのログサイズ (512)
イベント・アクション制御マネージャーログ※7	/var/opt/jp1ajs2/log/schedule/jpomanager{1 2 3 4 5 6 7 8 9 10 11 12 13}.log	イベントジョブ実行時のイベント・アクション制御マネージャーのトレースログ※3	26,624	16,777,216 (16 ギガバイト)	ログ設定でのログサイズ (2,048)
	/var/opt/jp1ajs2/log/jpomanager{1 2 3 4 5 6}.log		8,192	16,777,216 (16 ギガバイト)	ログ設定でのログサイズ (1,024)
	/var/opt/jp1ajs2/log/schedule/jpomgrsub{1 2 3 4 5 6 7 8}.log		8,192	16,777,216 (16 ギガバイト)	ログ設定でのログサイズ (1,024)
	/var/opt/jp1ajs2/log/jpomgrsub{1 2 3 4 5 6 7 8}.log		8,192	16,777,216 (16 ギガバイト)	ログ設定でのログサイズ (1,024)
イベント・アクション制御エージェントログ※7	/var/opt/jp1ajs2/log/jpoagent{1 2 3 4 5 6 7 8}.log	イベントジョブ実行時のイベント・アクション制御エージェントのトレースログ※3	8,192	16,777,216 (16 ギガバイト)	ログ設定でのログサイズ (1,024)
	/var/opt/jp1ajs2/log/jpoagtsub{1 2 3 4 5 6 7 8 9 10 11 12 13 14 15 16}.log		16,384	16,777,216 (16 ギガバイト)	ログ設定でのログサイズ (1,024)

ログの種類	ログファイル名・ディレクトリ名	出力される情報の内容	デフォルトのディスク占有量※1	最大ディスク占有量※1	ファイルの切り替え時期※2
イベント監視ログ※7	/var/opt/jp1ajs2/log/jpoeventwatch{1 2 3 4 5 6 7 8}.log	JP1 イベント受信監視ジョブ・ログファイル監視ジョブ実行時のトレースログ※3	8,192	16,777,216 (16 ギガバイト)	ログ設定でのログサイズ (1,024)
イベント検索ログ※7	/var/opt/jp1ajs2/log/jpoevsearch{1 2}.log	JP1 イベント受信監視ジョブの実行前イベント検索実行時のトレースログ※3	256	16,777,216 (16 ギガバイト)	ログ設定でのログサイズ (128)
ファイル監視ログ※7	/var/opt/jp1ajs2/log/jpocwftlMain{1 2 3 4 5 6 7 8 9 10 11 12 13}.log	ファイル監視ジョブ実行時のトレースログ※3	26,624	16,777,216 (16 ギガバイト)	ログ設定でのログサイズ (2,048)
実行間隔制御ログ※7	/var/opt/jp1ajs2/log/jpocwtmMain{1 2 3 4 5 6}.log	実行間隔制御ジョブ実行時のトレースログ※3	1,536	16,777,216 (16 ギガバイト)	ログ設定でのログサイズ (256)
メール監視ログ※7	/var/opt/jp1ajs2/log/jpocwtlmain{1 2}.log	メール連携機能を使用したときのメール受信監視ジョブ実行時のトレースログ※3	256	16,777,216 (16 ギガバイト)	ログ設定でのログサイズ (128)
メール配信ログ※7	/var/opt/jp1ajs2/log/jpomailrecv{1 2}.log	メール連携のメール配信機能機能を使用したときのメール受信監視ジョブ実行時のトレースログ※3	256	16,777,216 (16 ギガバイト)	ログ設定でのログサイズ (128)
Cm2 連携ログ	/var/opt/jp1ajs2/log/jpooovlink{1 2}.log※5	JP1/Cm2/NNMまたは HP NNMを使った監視を行う場合のトレースログ※3	512	512	256
ジョブ実行内部ログ※12	/var/opt/jp1ajs2/log/jpqagent/jpqagt_{00 01 02 03 04 05 06 07}.log	—※3,※8	4,096	1,048,576	ログ設定でのログサイズ (512)
	/var/opt/jp1ajs2/log/jpqagent/jpqmon_{00 01 02 03 04 05 06 07}.log	—※3,※8	4,096	1,048,576	ログ設定でのログサイズ (512)

ログの種類	ログファイル名・ディレクトリ名	出力される情報の内容	デフォルトのディスク占有量※1	最大ディスク占有量※1	ファイルの切り替え時期※2
ジョブ実行内部ログ※12	/var/opt/jp1ajs2/log/jpqagent/jpqnpjagt_{00 01 02 03 04 05 06 07}.log	—※3,※8	4,096	1,048,576	ログ設定でのログサイズ (512)
	/var/opt/jp1ajs2/log/jpqagent/jpqnpjdata_{00 01}.log	—※3,※8	1,024	1,048,576	ログ設定でのログサイズ (512)
ジョブ実行内部ログ※12	/var/opt/jp1ajs2/log/jpqclient/jpqclient_{00 01 02 03 04 05 06 07 08 09}.log	—※3,※8	10,240	1,048,576	ログ設定でのログサイズ (1,024)
	/var/opt/jp1ajs2/log/jpqclient/jpqclientnjp_{00 01 02 03 04 05 06 07 08 09}.log	—※3,※8	10,240	1,048,576	ログ設定でのログサイズ (1,024)
	/var/opt/jp1ajs2/log/jpqclient/jpqnpjdata_{00 01}.log	—※3,※8	1,024	1,048,576	ログ設定でのログサイズ (512)
ジョブ実行内部ログ	/var/opt/jp1ajs2/log/schedule/スケジューラーサービス名/jpqmanager/jpqman_{00 01 02 03}.log※12	—※3,※8	2,048	1,048,576	ログ設定でのログサイズ (512)
	/var/opt/jp1ajs2/log/jpqmanager/jpqman_{00 01 02 03}.log※11				
	/var/opt/jp1ajs2/log/schedule/スケジューラーサービス名/jpqmanager/jpqmandb_{00 01 02 03}.log※12	—※3,※8	2,048	1,048,576	ログ設定でのログサイズ (512)
	/var/opt/jp1ajs2/log/jpqmanager/jpqmandb_{00 01 02 03}.log※11				
	/var/opt/jp1ajs2/log/schedule/スケジューラーサービス名/jpqmanager/jpqmannjp_{00 01 02 03}.log※12	—※3,※8	2,048	1,048,576	ログ設定でのログサイズ (512)
	/var/opt/jp1ajs2/log/jpqmanager/jpqmannjp_{00 01 02 03}.log※11				
	/var/opt/jp1ajs2/log/schedule/スケジューラーサービス名/	—※3,※8	1,024	1,048,576	ログ設定でのログサイズ (512)

ログの種類	ログファイル名・ディレクトリ名	出力される情報の内容	デフォルトのディスク占有量※1	最大ディスク占有量※1	ファイルの切り替え時期※2
ジョブ実行内部ログ	jpqmanager/jpqnjpdata_{00 01}.log※12	—※3,※8	1,024	1,048,576	ログ設定でのログサイズ(512)
	/var/opt/jp1ajs2/log/jpqmanager/jpqnjpdata_{00 01}.log※11				
ジョブ実行内部ログ※12	/var/opt/jp1ajs2/log/schedule/スケジューラーサービス名/jpqnotify/jpqnotify_{00 01}.log	—※3,※8	1,024	1,048,576	ログ設定でのログサイズ(512)
	/var/opt/jp1ajs2/log/schedule/スケジューラーサービス名/jpqnotify/jpqnotifynjp_{00 01}.log	—※3,※8	1,024	1,048,576	ログ設定でのログサイズ(512)
	/var/opt/jp1ajs2/log/schedule/スケジューラーサービス名/jpqnotify/jpqnjpdata_{00 01}.log	—※3,※8	1,024	1,048,576	ログ設定でのログサイズ(512)
フロー制御サブプロセス内部ログ	/var/opt/jp1ajs2/log/schedule/スケジューラーサービス名/ajsflbd{1 2}.log	待ち合わせ条件付きユニットのトレースログ※3	20,480	4,000,000	フロー制御サブプロセス内部ログのサイズ(10,240)
ジョブ実行環境データベース再編成ログ	/var/opt/jp1ajs2/database/queue/CONDENSE{1 2}.log	—	1,024	1,024	512
スケジューラーデータベース再編成ログ	/var/opt/jp1ajs2/database/schedule/スケジューラーサービス名/CONDENSE{1 2}.log	—	1,024	1,024	512
イベント・アクション共通ログ※5,※7	/var/opt/jp1ajs2/log/jpocommonerr{1 2}.log	—※3	16,384	4,194,304(4ギガバイト)	ログ設定でのログサイズ(8,192)
イベント・アクション共通エラーログ※5	/var/opt/jp1ajs2/log/jpoproccomerr{1 2}.log	—※3	256	256	128
jajs_migrate コマンドトレースログファイル	/var/opt/jp1ajs2/log/jajs_migrate_論理ホスト名_{1 2 3 4 5 6 7 8 9 10 11 12 13 14 15 16 17 18 19 20}.log※24	JP1/AJS2 の環境から JP1/AJS3 の環境への移行時に出力されるログ※3	10	200	jajs_migrate コマンド実行時
jajs_setup コマンドトレースログファイル※5	/var/opt/jp1ajs2/log/jajs_setup_{01 02 03 04 05 06	環境設定時に出力されるログ※3	200	200	jajs_setup コマンド実行時

ログの種類	ログファイル名・ディレクトリ名	出力される情報の内容	デフォルトのディスク占有量※1	最大ディスク占有量※1	ファイルの切り替え時期※2
jajs_setup コマンドトレースログファイル※5	07 08 09 10 11 12 13 14 15 16 17 18 19 20}. log※22	環境設定時に出力されるログ※3	200	200	jajs_setup コマンド実行時
jajs_config コマンドトレースログファイル	/var/opt/jp1ajs2/log/jajs_config_{1 2}. log	環境設定パラメータの設定時に出力されるログ※3	1	256	128
jajs_setup_cluster コマンドトレースログファイル※5	/var/opt/jp1ajs2/log/jajs_setup_cluster_{01 02 03 04 05 06 07 08 09 10 11 12 13 14 15 16 17 18 19 20}. log※22	クラスタ環境の環境設定時に出力されるログ※3	200	200	jajs_setup_cluster コマンド実行時
jp1ajs2_setup_cluster コマンドトレースログファイル※9	/var/opt/jp1ajs2/log/JAJS_SETUP/論理ホスト名/jajs_setup. log※10	論理ホストのセットアップ時に出力されるログ※3	10	100	なし
jajs_killall.cluster コマンドトレースログファイル	共有ディレクトリ/jp1ajs2/log/jajs_killall.cluster_論理ホスト名.{1 2 3 4 5}. log	論理ホスト対応のプロセスを強制終了させたときに出力されるログ※3	50	50	jajs_killall.cluster コマンド実行時
jajsshowadminusr コマンドトレースログファイル	/var/opt/jp1ajs2/log/jajsadminusr_{1 2}. log	AJS 管理者の設定および参照ログ※3	1	256	128
jajs_pmtcon コマンドトレースログファイル	/var/opt/jp1ajs2/log/jajs_pmtcon_{1 2}. log	接続元制限の設定時に出力されるログ※3	1	256	128
キューレスログファイル※16	/var/opt/jp1ajs2/log/ajsql-log{1 2}. log	キューレスエージェントサービスのジョブ実行情報	16,384	4,000,000	環境設定のキューレスログファイルのサイズ (8,192)
キューレストレースログファイル※5,※17	/var/opt/jp1ajs2/log/trace.log.ql	キューレスジョブ、およびキューレスジョブ実行制御関連コマンド実行時のトレースログ※3,※8	15,360	2,097,151	ラップアラウンド
キューレスジョブ実行内部ログ※20	/var/opt/jp1ajs2/log/ajsqllexeclog※5,※21	キューレスジョブ実行時のトレースログ※3,※8	24,576	2,097,151	ラップアラウンド
	/var/opt/jp1ajs2/log/ajsqllexeclog_ftpd※5		10,240	2,097,151	ラップアラウンド

ログの種類	ログファイル名・ディレクトリ名	出力される情報の内容	デフォルトのディスク占有量※1	最大ディスク占有量※1	ファイルの切り替え時期※2
キューレスジョブのステータスファイル※25	/var/opt/jp1ajs2/log/ajsqlstat.dat	実行中のキューレスジョブの情報※3, ※8	2,048	2,000,000	ラップアラウンド
メンテナンスログファイル※5	/var/opt/jp1ajs2/log/jajs_maintain_manager{1 2 3 4}.log※13	メンテナンス処理実行時のデータベース再編成ログ※3	1,484	1,484	メンテナンス処理実行時
	/var/opt/jp1ajs2/log/jajs_maintain_[スケジューラーサービス名]{1 2 3 4}.log※13		1,484	1,484	メンテナンス処理実行時
自動再編成ログファイル※5	/var/opt/jp1ajs2/log/jpqautocond{1 2 3 4}.log※14	自動再編成処理実行時のデータベース再編成ログ※3	764	764	自動再編成処理実行時
	/var/opt/jp1ajs2/log/ajsautocond{1 2 3 4}.log※14		764	764	自動再編成処理実行時
定義チェックログファイル※5, ※19	/var/opt/jp1ajs2/log/ajcheck{1 2}.log	定義内容の事前チェックログ	8,192	4,000,000	環境設定の定義チェックのログファイルサイズ
定義チェックトレースログファイル※5, ※15	/var/opt/jp1ajs2/log/tracelog.ch	定義内容の事前チェックによって出力されるトレースログ※3, ※8	3,072	2,097,151	ラップアラウンド
組み込み DB 操作コマンド実行ログ※5	/var/opt/jp1ajs2/log/ajsembdbbackup.log	組み込み DB の操作コマンドによって出力されるログ※3	—	—	—※23
	/var/opt/jp1ajs2/log/ajsembdbstr.log		—	—	—※23
	/var/opt/jp1ajs2/log/embdb/ajsembdboplog[組み込み DB セットアップ識別子]{1 2 3 4}.log		4,096	4,096	1,024
	/var/opt/jp1ajs2/log/embdb/ajsembdbrolog[ホスト名][スケジューラーサービス名]{1 2 3 4}.log		4,096	4,096	1,024
	/var/opt/jp1ajs2/log/embdb/ajsembdbreclaim[ホスト名][スケジューラーサービス名]{1 2 3 4}.log		4,096	4,096	1,024
	/var/opt/jp1ajs2/log/embdb/ajsembdbaddarea[組み込み DB セットアップ識別子]{1 2 3 4}.log		4,096	4,096	1,024

ログの種類	ログファイル名・ディレクトリ名	出力される情報の内容	デフォルトのディスク占有量※1	最大ディスク占有量※1	ファイルの切り替え時期※2
組み込み DB 操作コマンド実行ログ※5	/var/opt/jp1ajs2/log/embdb/ajsembdbaddlog[組み込み DB セットアップ識別子]{1 2 3 4}. log	組み込み DB の操作コマンドによって出力されるログ※3	4,096	4,096	1,024
	/var/opt/jp1ajs2/log/embdb/ajsembdbstop[組み込み DB セットアップ識別子]{1 2 3 4}. log		4,096	4,096	1,024
	/var/opt/jp1ajs2/log/embdb/ajsembdbstop_nv[組み込み DB セットアップ識別子]{1 2 3 4}. log		4,096	4,096	1,024
	/var/opt/jp1ajs2/log/embdb/ajsembdbstart[組み込み DB セットアップ識別子]{1 2 3 4}. log		4,096	4,096	1,024
	/var/opt/jp1ajs2/log/embdb/ajsembdbstart_nv[組み込み DB セットアップ識別子]{1 2 3 4}. log		4,096	4,096	1,024
	/var/opt/jp1ajs2/log/embdb/ajsembdbcancel[組み込み DB セットアップ識別子]{1 2 3 4}. log		4,096	4,096	1,024
	/var/opt/jp1ajs2/log/embdb/ajsembdbunset[組み込み DB セットアップ識別子]{1 2 3 4}. log		4,096	4,096	1,024
	/var/opt/jp1ajs2/log/embdb/ajsembdbbuild[組み込み DB セットアップ識別子]{1 2 3 4}. log		4,096	4,096	1,024
	/var/opt/jp1ajs2/log/embdb/ajsembdbsetup[組み込み DB セットアップ識別子]{1 2 3 4}. log		4,096	4,096	1,024
	/var/opt/jp1ajs2/log/embdb/ajsembdbstatus[組み込み DB セットアップ識別子]{1 2 3 4}. log		4,096	4,096	1,024
	/var/opt/jp1ajs2/log/embdb/ajsembdbinstl{1 2 3 4}. log		4,096	4,096	1,024
	/var/opt/jp1ajs2/log/embdb/ajsembdbuninstl{1 2 3 4}. log		4,096	4,096	1,024
	/var/opt/jp1ajs2/log/embdb/ajsembdbmaintain{1 2 3 4}. log		4,096	4,096	1,024
	/var/opt/jp1ajs2/log/embdb/ajsembdbmgrctl[組み込み DB セットアップ識別子]{1 2 3 4}. log		4,096	4,096	1,024

ログの種類	ログファイル名・ディレクトリ名	出力される情報の内容	デフォルトのディスク占有量※1	最大ディスク占有量※1	ファイルの切り替え時期※2
エージェント管理トレースログ※5	/var/opt/jp1ajs2/log/ajsagttrace	—※3,※8	20,480	20,480	ラップアラウンド
エージェント管理ログ	/var/opt/jp1ajs2/log/ajsagtmpd{1 2}.log	エージェント管理制御のエージェント情報※3	8,192	8,192	4,096
通信制御トレースログ	/var/opt/jp1ajs2/log/tracelog-nw	—※3,※8	40,960	40,960	ラップアラウンド
通信制御ログ	/var/opt/jp1ajs2/log/ajsnetwd{1 2 3 4 5}.log	—※3	51,200	51,200	10,240
エクスポートコマンドトレースログファイル※5	/var/opt/jp1ajs2/log/jajs_rpenvexport_[論理ホスト名]_{1 2 3 4}.log	—※3	256	256	32
	/var/opt/jp1ajs2/log/ajsdbenvexport_[論理ホスト名]_{1 2 3 4}.log	—※3	256	256	32
インポートコマンドトレースログファイル※5	/var/opt/jp1ajs2/log/jajs_rpenvimport_[論理ホスト名]_{1 2 3 4}.log	—※3	256	256	32
	/var/opt/jp1ajs2/log/ajsdbenvimport_[論理ホスト名]_{1 2 3 4}.log	—※3	256	256	32
移行コマンド実行ログ※5	/var/opt/jp1ajs2/log/JP1AJS3_DBCnvExport_{1 2 3 4 5 6 7 8 9 10 11 12 13 14 15 16 17 18 19 20}.log※24	移行コマンドによって出力されるログ※3	10	200	ajscnvdbexport コマンド実行時
	/var/opt/jp1ajs2/log/JP1AJS3_DBCnvImport_{1 2 3 4 5 6 7 8 9 10 11 12 13 14 15 16 17 18 19 20}.log※24		10	200	ajscnvdbimport コマンド実行時
ajsdbmgrd 内部ログ	/var/opt/jp1ajs2/log/ajsdbmgrd_[組み込み DB セットアップ識別子]{1 2}.log	DB 稼働制御プロセスの内部ログ※3	8,192	8,192	4,096
ajsshmdel コマンドトレースログファイル	/var/opt/jp1ajs2/log/ajsshmdel{1 2}.log	共有メモリー情報を削除したときに出力されるログ※3	1	256	128

ログの種類	ログファイル名・ディレクトリ名	出力される情報の内容	デフォルトのディスク占有量※1	最大ディスク占有量※1	ファイルの切り替え時期※2
フレキシブルジョブ実行要求元ログファイル※5	/var/opt/jp1ajs2/log/ajsfxreq{1 2}.log	フレキシブルジョブの実行要求元(マネージャーホスト※26)で出力されるログ	20,480	4,000,000	環境設定のログファイルのサイズ(10,240)
フレキシブルジョブ実行先ログファイル※5	/var/opt/jp1ajs2/log/ajsfxexec{1 2}.log	フレキシブルジョブの実行先(宛先エージェント)で出力されるログ	20,480	4,000,000	環境設定のログファイルのサイズ(10,240)
フレキシブルジョブトレースログファイル※5	/var/opt/jp1ajs2/log/ajsfxtrace	—※3,※8	20,480	20,480	ラップアラウンド
一斉配信エージェントおよび一斉配信の宛先エージェントログファイル※5	/var/opt/jp1ajs2/log/ajsfxbcctl{1 2}.log	—※3	20,480	4,000,000	環境設定のログファイルのサイズ(10,240)
一斉配信エージェントログファイル※5	/var/opt/jp1ajs2/log/ajsfxdstr{1 2}.log	一斉配信エージェントで出力するログ	40,960	4,000,000	環境設定のログファイルのサイズ(20,480)
HTTP 接続ジョブ実行内部トレースログファイル※5	/var/opt/jp1ajs2/log/ajshttpttrace	—※3,※8	20,480	20,480	ラップアラウンド
エージェント監視トレースログファイル※5	/var/opt/jp1ajs2/log/trace.log.agm	—※3,※8	20,480	20,480	ラップアラウンド

注※1

「デフォルトのディスク占有量」「最大ディスク占有量」の単位は、「キロバイト」です。括弧内の値は、「ギガバイト」で表したときの値です。

注※2

「ファイルの切り替え時期」の括弧内の値は、ログファイルが切り替わるタイミングのデフォルトを記載しています。単位は「キロバイト」です。

注※3

出力される情報の形式は公開していません。

注※4

ディスク占有量を変更できます。変更時は、jajs_config コマンドで環境設定パラメーターLOGSIZE を設定してください。

ディスク占有量の見積もり方法については、マニュアル「JP1/Automatic Job Management System 3 設計ガイド（システム構築編） 3.4.1 スケジューラーログファイルのサイズを見積もる」を参照してください。

注※5

クラスタ運用時にもデフォルトのディレクトリに出力されます。

注※6

ディスク占有量を変更できます。変更時は、ajstrsetsz コマンドを使用してください。

注※7

ディスク占有量を変更できます。ディスク占有量を変更するときは、マニュアル「JP1/Automatic Job Management System 3 設計ガイド（システム構築編） 3.4.3 イベントジョブが出力するログのサイズを見積もる」を参照してください。

注※8

バイナリー情報のため参照できません。

注※9

jp1ajs2_setup_cluster コマンドトレースログファイルは論理ホストのセットアップ時に出力されるログで、運用時にログサイズが増加することはありません。

注※10

すでに作成済みの論理ホストがある状態で異なる論理ホストを作成した場合は、異なる論理ホスト名でログディレクトリが作成されます。

注※11

ディスク占有量を変更できます。ディスク占有量を変更するときは、マニュアル「JP1/Automatic Job Management System 3 設計ガイド（システム構築編） 7.1.4 QUEUE ジョブ、サブミットジョブ実行環境のログのサイズを見積もる」を参照してください。

注※12

ディスク占有量を変更できます。ディスク占有量を変更するときは、マニュアル「JP1/Automatic Job Management System 3 設計ガイド（システム構築編） 3.4.5 ジョブ実行環境のログのサイズを見積もる」を参照してください。

注※13

クラスタ運用時はファイル名称が異なります。クラスタ運用時のファイル名称を次に示します。

1. jajs_maintain_manager_[論理ホスト名]{1|2|3|4}. log
2. jajs_maintain_[スケジューラーサービス名]_[論理ホスト名]{1|2|3|4}. log

注※14

クラスタ運用時はファイル名称が異なります。クラスタ運用時のファイル名称を次に示します。

1. jpqautocond_[論理ホスト名]{1|2|3|4}. log
2. ajsautocond_[論理ホスト名]{1|2|3|4}. log

注※15

ディスク占有量を変更できます。変更時は、`ajschktrsetsz` コマンドを使用してください。JP1/AJS3 Check Manager 機能、または JP1/AJS3 Check Agent 機能を使用しない場合、トレースログファイルは作成されません。

注※16

ディスク占有量を変更できます。変更時は、`jajs_config` コマンドで環境設定パラメーター `AJSQ_LLOGSIZE` の指定を変更してください。ディスク占有量の見積もり方法については、マニュアル「JP1/Automatic Job Management System 3 設計ガイド (システム構築編) 7.2.1(1) キューレスログファイルのサイズを見積もる」を参照してください。

注※17

ディスク占有量を変更できます。変更時は、`ajsqltrsetsz` コマンドを使用してください。

注※18

ディスク占有量を変更できます。変更時は、マニュアル「JP1/Automatic Job Management System 3 構築ガイド 20.4 スケジューラサービス環境設定」を参照してください。

注※19

ディスク占有量を変更できます。変更時は、マニュアル「JP1/Automatic Job Management System 3 構築ガイド 20.7 JP1/AJS3 定義内容の事前チェック機能の設定」を参照してください。

注※20

ディスク占有量を変更できます。変更時は、`ajsqlxecsetsz` コマンドを使用してください。
`ajsqlxecsetsz` コマンドの詳細については、マニュアル「JP1/Automatic Job Management System 3 コマンドリファレンス 4. 特別な運用で使用するコマンド `ajsqlxecsetsz`」を参照してください。
また、ディスク占有量の見積もり方法については、マニュアル「JP1/Automatic Job Management System 3 設計ガイド (システム構築編) 7.2.1(3) キューレスジョブ実行内部ログファイルのサイズを見積もる」を参照してください。

注※21

クラスタ運用時はファイル名称が異なります。クラスタ運用時のファイル名称を次に示します。

```
/var/opt/jp1ajs2/log/ajsqlxeclog-[論理ホスト名]
```

フルパス名が 256 バイト以上である場合、`[論理ホスト名]` は論理ホスト名の先頭から 30 バイトとなります。

注※22

最新の実行結果は、「01」のログファイルに出力されます。コマンドが実行されると、ログファイルはそれぞれ + 1 した数値のファイル名にリネームされ、「01」のログファイルが新たに作成されます。ログファイル名の最大数値までファイルがある状態でコマンドを実行すると、いちばん大きな数値のログファイルにあるログ情報が破棄されます。

注※23

無限に大きくなります。必要に応じて退避、削除してください。

注※24

最新の実行結果は、いちばん大きな数値のログファイルに出力されます。ログファイル名の最大数値までファイルがある状態でコマンドを実行すると、「01」のログファイルにあるログ情報が破棄されます。

注※25

ディスク占有量を変更できます。変更時は、マニュアル「JP1/Automatic Job Management System 3 構築ガイド 20.10 キューレスジョブ実行環境設定」を参照してください。

注※26

中継する場合は中継エージェント、中継しない場合はマネージャーホストに出力されます。

注※27

ディスク占有量を変更できます。変更時は、マニュアル「JP1/Automatic Job Management System 3 構築ガイド 20.3 システム管理の環境設定」を参照してください。

表 1-10 JP1/AJS3 - Agent のログファイルおよびディレクトリ一覧 (UNIX の場合)

ログの種類	ログファイル名・ディレクトリ名	出力される情報の内容	デフォルトのディスク占有量※1	最大ディスク占有量※1	ファイルの切り替え時期※2
システム管理ログ※19	/var/opt/jp1ajs2/log/JAJS_SPMD{1 2 3}.log	JP1/AJS3 サービスの起動・停止・状態確認時のトレースログ※3	384	33,554,432 (32 ギガバイト)	ログ設定でのログサイズ (128)
	/var/opt/jp1ajs2/log/JAJS_SPMD_COMMAND{1 2 3}.log		384		
ジョブ実行エージェントログ※9	/var/opt/jp1ajs2/log/jpqagtexec{1 2 3 4 5 6 7 8}.log	ジョブ実行時のジョブ実行制御エージェントプロセスのトレースログ※3	4,096	524,288	ログ設定でのログサイズ (512)
	/var/opt/jp1ajs2/log/jpqagtexeccld{1 2 3 4 5 6 7 8}.log		4,096		
	/var/opt/jp1ajs2/log/jpqagtexecdmn{1 2 3 4 5 6 7 8}.log		4,096		
	/var/opt/jp1ajs2/log/jpqagtexecmon{1 2 3 4 5 6 7 8}.log		4,096		
ジョブ実行クライアントログ※9	/var/opt/jp1ajs2/log/jpqcliexec{1 2}.log	jpqxxxx コマンド JpqxxxxAPI の実行トレースログ※3	1,024	524,288	ログ設定でのログサイズ (512)

ログの種類	ログファイル名・ディレクトリ名	出力される情報の内容	デフォルトのディスク占有量※1	最大ディスク占有量※1	ファイルの切り替え時期※2
イベント・アクション制御エージェントログ※4	/var/opt/jp1ajs2/log/jpoagent{1 2 3 4 5 6 7 8}.log	イベントジョブ実行時のイベント・アクション制御エージェントのトレースログ※3	8,192	16,777,216 (16 ギガバイト)	ログ設定でのログサイズ (1,024)
	/var/opt/jp1ajs2/log/jpoagtsub{1 2 3 4 5 6 7 8 9 10 11 12 13 14 15 16}.log		16,384	16,777,216 (16 ギガバイト)	ログ設定でのログサイズ (1,024)
イベント監視ログ※4	/var/opt/jp1ajs2/log/jpoeventwatch{1 2 3 4 5 6 7 8}.log	JP1 イベント受信監視ジョブ・ログファイル監視ジョブ実行時のトレースログ※3	8,192	16,777,216 (16 ギガバイト)	ログ設定でのログサイズ (1,024)
イベント検索ログ※4	/var/opt/jp1ajs2/log/jpoevsearch{1 2}.log	JP1 イベント受信監視ジョブの実行前イベント検索実行時のトレースログ※3	256	16,777,216 (16 ギガバイト)	ログ設定でのログサイズ (128)
ファイル監視ログ※4	/var/opt/jp1ajs2/log/jpocwtfMain{1 2 3 4 5 6 7 8 9 10 11 12 13}.log	ファイル監視ジョブ実行時のトレースログ※3	26,624	16,777,216 (16 ギガバイト)	ログ設定でのログサイズ (2,048)
実行間隔制御ログ※4	/var/opt/jp1ajs2/log/jpocwtmMain{1 2 3 4 5 6}.log	実行間隔制御ジョブ実行時のトレースログ※3	1,536	16,777,216 (16 ギガバイト)	ログ設定でのログサイズ (256)
メール監視ログ※4	/var/opt/jp1ajs2/log/jpocwtmMain{1 2}.log	メール連携機能を使用したときのメール受信監視ジョブ実行時のトレースログ※3	256	16,777,216 (16 ギガバイト)	ログ設定でのログサイズ (128)
メール配信ログ※4	/var/opt/jp1ajs2/log/jpomailrecv{1 2}.log	メール連携のメール配信機能を使用したときのメール受信監視ジョブ実行時のトレースログ※3	256	16,777,216 (16 ギガバイト)	ログ設定でのログサイズ (128)
Cm2 連携ログ	/var/opt/jp1ajs2/log/jpooovlink{1 2}.log※6	JP1/Cm2/NNMまたは HP NNMを使った監視を行	512	512	256

ログの種類	ログファイル名・ディレクトリ名	出力される情報の内容	デフォルトのディスク占有量※1	最大ディスク占有量※1	ファイルの切り替え時期※2
Cm2 連携ログ	/var/opt/jp1ajs2/log/jpooovlink{1 2}.log※6	う場合のトレースログ※3	512	512	256
ジョブ実行内部ログ※9	/var/opt/jp1ajs2/log/jppqagent/jppqagt_{00 01 02 03 04 05 06 07}.log	—※3,※5	4,096	1,048,576	ログ設定でのログサイズ(512)
	/var/opt/jp1ajs2/log/jppqagent/jppqmon_{00 01 02 03 04 05 06 07}.log	—※3,※5	4,096	1,048,576	ログ設定でのログサイズ(512)
	/var/opt/jp1ajs2/log/jppqagent/jppqnjpagt_{00 01 02 03 04 05 06 07}.log	—※3,※5	4,096	1,048,576	ログ設定でのログサイズ(512)
	/var/opt/jp1ajs2/log/jppqagent/jppqnjpdata_{00 01}.log	—※3,※5	1,024	1,048,576	ログ設定でのログサイズ(512)
ジョブ実行内部ログ※9	/var/opt/jp1ajs2/log/jppqclient/jppqclient_{00 01 02 03 04 05 06 07 08 09}.log	—※3,※5	10,240	1,048,576	ログ設定でのログサイズ(1,024)
	/var/opt/jp1ajs2/log/jppqclient/jppqclientnjp_{00 01 02 03 04 05 06 07 08 09}.log	—※3,※5	10,240	1,048,576	ログ設定でのログサイズ(1,024)
	/var/opt/jp1ajs2/log/jppqclient/jppqnjpdata_{00 01}.log	—※3,※5	1,024	1,048,576	ログ設定でのログサイズ(512)
イベント・アクション共通ログ※4,※6	/var/opt/jp1ajs2/log/jpocommonerr{1 2}.log	—※3	16,384	4,194,304(4ギガバイト)	ログ設定でのログサイズ(8,192)
jajs_config コマンドトレースログファイル	/var/opt/jp1ajs2/log/jajs_config_{1 2}.log	環境設定パラメータの設定時に出力されるログ※3	1	256	128
jajs_setup_cluster コマンドトレースログファイル※6	/var/opt/jp1ajs2/log/jajs_setup_cluster_{01 02 03 04 05 06 07 08 09 10 11 12 13 14 15 16 17 18 19 20}.log※16	クラスタ環境の環境設定時に出力されるログ※3	200	200	jajs_setup_cluster コマンド実行時
jp1ajs2_setup_cluster コマンドトレースログファイル※7	/var/opt/jp1ajs2/log/JAJS_SETUP/論理ホスト名/jajs_setup.log※8	論理ホストのセットアップ時に出力されるログ※3	10	100	なし

ログの種類	ログファイル名・ディレクトリ名	出力される情報の内容	デフォルトのディスク占有量※1	最大ディスク占有量※1	ファイルの切り替え時期※2
jajs_killall.cluster コマンドトレースログファイル	共有ディレクトリ/jp1ajs2/log/jajs_killall.cluster_論理ホスト名.{1 2 3 4 5}.log	論理ホスト対応のプロセスを強制終了させたときに出力されるログ※3	50	50	jajs_killall.cluster 実行時
jajsshowadminusr コマンドトレースログファイル	/var/opt/jp1ajs2/log/jajssadminusr_{1 2}.log	AJS 管理者の設定および参照ログ※3	1	256	128
jajs_pmtcon コマンドトレースログファイル	/var/opt/jp1ajs2/log/jajs_pmtcon_{1 2}.log	接続元制限の設定時に出力されるログ※3	1	256	128
キューレスログファイル※11	/var/opt/jp1ajs2/log/ajsql-log{1 2}.log	キューレスエージェントサービスのジョブ実行情報	16,384	4,000,000	環境設定のキューレスログファイルのサイズ (8,192)
キューレストレースログファイル※6,※12	/var/opt/jp1ajs2/log/trace.log.ql	キューレスジョブ、およびキューレスジョブ実行制御関連コマンド実行時のトレースログ※3,※5	15,360	2,097,151	ラップアラウンド
キューレスジョブ実行内部ログ※14	/var/opt/jp1ajs2/log/ajsqllexeclog※6,※15	キューレスジョブ実行時のトレースログ※3,※5	24,576	2,097,151	ラップアラウンド
キューレスジョブのステータスファイル※17	/var/opt/jp1ajs2/log/ajsqlstat.dat	実行中のキューレスジョブの情報※3, ※5	2,048	2,000,000	ラップアラウンド
定義チェックログファイル※6, ※13	/var/opt/jp1ajs2/log/ajsccheck{1 2}.log	定義内容の事前チェックログ	8,192	4,000,000	環境設定の定義チェックのログファイルサイズ
定義チェックトレースログファイル※6, ※10	/var/opt/jp1ajs2/log/trace.log.ch	定義内容の事前チェックによって出力されるトレースログ※3,※5	3,072	2,097,151	ラップアラウンド
ajsshmdel コマンドトレースログファイル	/var/opt/jp1ajs2/log/ajsshmdel{1 2}.log	共有メモリー情報を削除したときに出力されるログ※3	1	256	128

ログの種類	ログファイル名・ディレクトリ名	出力される情報の内容	デフォルトのディスク占有量※1	最大ディスク占有量※1	ファイルの切り替え時期※2
フレキシブルジョブ実行要求元ログファイル※6	/var/opt/jp1ajs2/log/ajsfxreq{1 2}.log	フレキシブルジョブの実行要求元(中継エージェント※18)で出力されるログ	20,480	4,000,000	環境設定のログファイルのサイズ(10,240)
フレキシブルジョブ実行先ログファイル※6	/var/opt/jp1ajs2/log/ajsfxexec{1 2}.log	フレキシブルジョブの実行先(宛先エージェント)で出力されるログ	20,480	4,000,000	環境設定のログファイルのサイズ(10,240)
フレキシブルジョブトレースログファイル※6	/var/opt/jp1ajs2/log/ajsfxtrace	—※3,※5	20,480	20,480	ラップアラウンド
一斉配信エージェントおよび一斉配信の宛先エージェントログファイル※6	/var/opt/jp1ajs2/log/ajsfxbcctl{1 2}.log	—※3	20,480	4,000,000	環境設定のログファイルのサイズ(10,240)
一斉配信エージェントログファイル※6	/var/opt/jp1ajs2/log/ajsfxdstr{1 2}.log	一斉配信エージェントで出力するログ	40,960	4,000,000	環境設定のログファイルのサイズ(20,480)
HTTP 接続ジョブ実行内部トレースログファイル※6	/var/opt/jp1ajs2/log/ajshttpttrace	—※3,※5	20,480	20,480	ラップアラウンド
ジョブ実行履歴ログファイル※20, ※21	/var/opt/jp1ajs2/log/jpqjobhistory{0 1}.log	JP1/AJS3 - Agent Minimal Edition で出力するジョブの実行履歴ログ	1,024	65,536	環境設定のログファイルのサイズ(512)

注※1

「デフォルトのディスク占有量」「最大ディスク占有量」の単位は、「キロバイト」です。括弧内の値は、「ギガバイト」で表したときの値です。

注※2

「ファイルの切り替え時期」の括弧内の値は、ログファイルが切り替わるタイミングのデフォルトを記載しています。単位は「キロバイト」です。

注※3

出力される情報の形式は公開していません。

注※4

ディスク占有量を変更できます。ディスク占有量を変更するときは、マニュアル「JP1/Automatic Job Management System 3 設計ガイド（システム構築編） 3.4.3 イベントジョブが出力するログのサイズを見積もる」を参照してください。

注※5

バイナリー情報のため参照できません。

注※6

クラスタ運用時にもデフォルトのディレクトリに出力されます。

注※7

jp1ajs2_setup_cluster コマンドトレースログファイルは論理ホストのセットアップ時に出力されるログで、運用時にログサイズが増加することはありません。

注※8

すでに作成済みの論理ホストがある状態で異なる論理ホストを作成した場合は、異なる論理ホスト名でログディレクトリが作成されます。

注※9

ディスク占有量を変更できます。ディスク占有量を変更するときは、マニュアル「JP1/Automatic Job Management System 3 設計ガイド（システム構築編） 7.1.4 QUEUE ジョブ、サブミットジョブ実行環境のログのサイズを見積もる」を参照してください。

注※10

ディスク占有量を変更できます。変更時は、ajschktrsetsz コマンドを使用してください。JP1/AJS3 Check Agent 機能を使用しない場合は、トレースログファイルは作成されません。

注※11

ディスク占有量を変更できます。変更時は、jajs_config コマンドで環境設定パラメーターAJSQL_LOGSIZE の指定を変更してください。ディスク占有量の見積もり方法については、マニュアル「JP1/Automatic Job Management System 3 設計ガイド（システム構築編） 7.2.1(1) キューレスログファイルのサイズを見積もる」を参照してください。

注※12

ディスク占有量を変更できます。変更時は、ajsqldrsetsz コマンドを使用してください。

注※13

ディスク占有量を変更できます。変更時は、マニュアル「JP1/Automatic Job Management System 3 構築ガイド 20.7 JP1/AJS3 定義内容の事前チェック機能の設定」を参照してください。

注※14

ディスク占有量を変更できます。変更時は、ajsqlexecsetsz コマンドを使用してください。ajsqlexecsetsz コマンドの詳細については、マニュアル「JP1/Automatic Job Management System 3 コマンドリファレンス 4. 特別な運用で使用するコマンド ajsqlexecsetsz」を参照してください。

また、ディスク占有量の見積もり方法については、マニュアル「JP1/Automatic Job Management System 3 設計ガイド（システム構築編） 7.2.1(3) キューレスジョブ実行内部ログファイルのサイズを見積もる」を参照してください。

注※15

クラスタ運用時はファイル名称が異なります。クラスタ運用時のファイル名称を次に示します。

```
/var/opt/jp1ajs2/log/ajsqllexeclog-[論理ホスト名]
```

フルパス名が 256 バイト以上である場合、[論理ホスト名]は論理ホスト名の先頭から 30 バイトとなります。

注※16

最新の実行結果は、「01」のログファイルに出力されます。コマンドが実行されると、ログファイルはそれぞれ+1した数値のファイル名にリネームされ、「01」のログファイルが新たに作成されます。ログファイル名の最大数値までファイルがある状態でコマンドを実行すると、いちばん大きな数値のログファイルにあるログ情報が破棄されます。

注※17

ディスク占有量を変更できます。変更時は、マニュアル「JP1/Automatic Job Management System 3 構築ガイド 20.10 キューレスジョブ実行環境設定」を参照してください。

注※18

中継する場合は中継エージェント、中継しない場合はマネージャーホストに出力されます。

注※19

ディスク占有量を変更できます。変更時は、マニュアル「JP1/Automatic Job Management System 3 構築ガイド 20.3 システム管理の環境設定」を参照してください。

注※20

JP1/AJS3 - Agent Minimal Edition 専用のログファイルです。JP1/AJS3 - Agent では出力されません。

注※21

ディスク占有量を変更できます。変更時は、マニュアル「JP1/Automatic Job Management System 3 設計ガイド（システム構築編） 付録 G.2(3) ジョブ実行履歴ログファイルの見積もり」を参照してください。

表 1-11 JP1/AJS3 - Web Console のログファイルおよびディレクトリ一覧（UNIX の場合）

ログの種類	ログファイル名・ディレクトリ名	出力される情報の内容	デフォルトのディスク占有量※1	最大ディスク占有量※1	ファイルの切り替え時期
コマンドログ※2	/var/opt/jp1ajs3web/log/ajswbsetup{1 2 3 4 5 6 7 8 9 10 11 12 13 14 15 16}.log	セットアップコマンド操作ログ	128	16,384	ラップアラウンド
	/var/opt/jp1ajs3web/log/jajs_web{1 2 3 4 5 6 7 8 9 10 11 12 13 14 15 16}.log	サービス起動コマンド操作ログ	128	16,384	ラップアラウンド

1. トラブルへの対処手順と必要な資料

ログの種類	ログファイル名・ディレクトリ名	出力される情報の内容	デフォルトのディスク占有量※1	最大ディスク占有量※1	ファイルの切り替え時期
コマンドログ※2	/var/opt/jp1ajs3web/log/jajs_web_stop{1 2 3 4 5 6 7 8 9 10 11 12 13 14 15 16}.log	サービス停止コマンド操作ログ	128	16,384	ラップアラウンド
アプリケーションサーバログ※2	/var/opt/jp1ajs3web/log/appserver{1 2 3 4 5 6 7 8 9 10 11 12 13 14 15 16}.log	操作ログおよびAPIへのリクエストのログ	8,192	16,384	ラップアラウンド
アプリケーションサーバ共通ログ	/var/opt/jp1ajs3web/log/appserversys{1 2}.log	Webアプリケーションサーバの起動停止ログ	8,192	8,192	ラップアラウンド

注※1

単位が記載されていない場合、「デフォルトのディスク占有量」「最大ディスク占有量」の単位は、「キロバイト」です。

注※2

ディスク占有量を変更できます。変更時は、マニュアル「JP1/Automatic Job Management System 3 設計ガイド（システム構築編） 4.6.1(1) Web Console サーバのログのサイズと面数」を参照してください。

1.3 トラブル発生時に採取が必要な資料

トラブルが発生したときに採取が必要な資料を示します。

トラブルの要因として、JP1/AJS3 の問題のほかに、OS、ユーザープログラム、オペレーションミスなどが考えられます。そのため、JP1/AJS3 のログ以外にも、この節で説明している資料が必要になる場合があります。

JP1 では採取が必要な資料を一括採取するための「資料採取ツール」を提供しています。資料採取ツールの初期設定で採取できる資料については、表中に記号で示しています。

1.3.1 Windows の場合

(1) OS のログ情報

次に示す OS のログ情報の採取が必要です。

表 1-12 トラブル発生時に採取が必要な OS のログ情報

情報の種類	デフォルトのファイル名	ツールでの採取
Windows イベントログ	—	○
Windows レジストリー情報	—	○
hosts ファイル services ファイル	1. システムフォルダ¥system32¥drivers¥etc¥hosts 2. システムフォルダ¥system32¥drivers¥etc¥services	○
マシン構成情報※1	—	○
サービス起動されている PP 一覧 ※1	—	○
ネットワーク構成情報※1	—	○
メモリーダンプ	—	×※2
クラッシュダンプ	—	×※2
問題レポート	—	×※2

(凡例)

- ：資料採取ツールで資料を採取できる。
- ×：資料採取ツールで資料を採取できない。
- ：デフォルトのファイル名なし。

注※1

これらの情報を含めたハードウェア環境、ソフトウェア環境、インターネット環境など、コンピュータに関するさまざまな情報が取得されます。

なお、情報採取の終了までに数分掛かることがあります。採取中は、[システム情報] ダイアログボックスが表示されますが、自動で閉じるため手動での操作は必要ありません。

注※2

採取方法については、「1.4.1(2) ダンプファイルを採取する」を参照してください。

(2) JP1 の情報

JP1 に関する次の情報の採取が必要です。また、ネットワーク接続でのトラブルの場合、接続先ホスト上のファイルの採取も必要です。

表 1-13 JP1/AJS3 のトラブル発生時に採取が必要な JP1 の情報

情報の種類	デフォルトのファイル名	ツールでの採取
ログファイル 作業ファイル 定義ファイル	<ol style="list-style-type: none">1. JP1/Base のインストール先フォルダ¥log2. JP1/Base のインストール先フォルダ¥conf¥user_acl3. <i>Mgr_Data_Path</i>*1¥log4. JP1/AJS3 - Manager のインストール先フォルダ¥conf5. <i>Mgr_Data_Path</i>*1¥sys6. <i>Mgr_Data_Path</i>*1¥database7. <i>Mgr_Data_Path</i>*1¥jobinf8. <i>Mgr_Data_Path</i>*1¥tmp¥schedule9. JP1/AJS3 - Manager のインストール先フォルダ¥PATCHLOG.txt10. JP1/AJS3 - View のインストール先フォルダ¥PATCHLOG.txt11. JP1/AJS3 - View のインストール先フォルダ¥resource12. %ALLUSERSPROFILE%*1¥Hitachi¥JP1¥JP1_DEFAULT¥JP1AJS2V¥log13. %ALLUSERSPROFILE%*1¥Hitachi¥JP1¥JP1_DEFAULT¥JP1AJS2V¥conf14. JP1/AJS3 - Web Console のインストール先フォルダ¥PATCHLOG.txt15. JP1/AJS3 - Web Console のインストール先フォルダ¥conf16. JP1/AJS3 - Web Console のインストール先フォルダ¥sys17. JP1/AJS3 - Web Console のインストール先フォルダ¥uCPSB¥CC¥server¥usrconf18. JP1/AJS3 - Web Console のインストール先フォルダ¥uCPSB¥CC¥web¥redirector19. JP1/AJS3 - Web Console のインストール先フォルダ¥uCPSB¥httpsd¥conf20. <i>Web_Data_Path</i>*4¥conf21. <i>Web_Data_Path</i>*4¥log <p>クラスタ運用している場合は次のフォルダの採取も必要です。</p> <ol style="list-style-type: none">1. 共有フォルダ¥JP1BASE¥log2. 共有フォルダ¥JP1BASE¥conf	○

情報の種類	デフォルトのファイル名	ツールでの採取
ログファイル 作業ファイル 定義ファイル	3. 共有フォルダ¥JP1AJS2 4. 共有フォルダ¥jp1ajs3web	○
統合トレースログフォルダ	システムドライブ¥Program files (x86) ^{※2,※3} ¥HITACHI¥HNTRLlib2¥spool	○
製品情報ファイル格納フォルダ	システムドライブ¥Program Files (x86) ^{※2,※3} ¥HITACHI¥jp1common¥JP1AJS2	○
データベースディレクトリのファイルリスト情報	—	○
JP1/Base のファイルリスト情報	—	○
JP1/AJS3 稼働中に使用している共有メモリー情報	—	○

(凡例)

- ：資料採取ツールで資料を採取できる。
- ：デフォルトのファイル名なし。

注※1

「Mgr_Data_Path」は次のパスを表します。

インストール先フォルダがデフォルトまたはシステムで保護されたフォルダ配下の場合

%ALLUSERSPROFILE%¥Hitachi¥JP1¥JP1_DEFAULT¥JP1AJS2

「%ALLUSERSPROFILE%」のデフォルトは「システムドライブ¥ProgramData」です。

「システムで保護されたフォルダ」とは、次のパスを指します。

- 「システムドライブ¥Windows」配下
- 「システムドライブ¥Program Files」配下
- 「システムドライブ¥Program Files (x86)」配下

インストール先フォルダが上記以外の場合

JP1/AJS3 - Manager のインストール先フォルダ

インストール先フォルダのデフォルトは、「システムドライブ¥Program Files (x86)¥HITACHI¥jp1ajs2」です。

注※2

32ビット版の Windows の場合は、「Program Files (x86)」を「Program Files」と読み替えてください。

注※3

JP1/AJS3 - Web Console の場合は、「Program Files (x86)」を「Program Files」と読み替えてください。

注※4

「Web_Data_Path」は次のパスを表します。

インストール先フォルダがデフォルトまたはシステムで保護されたフォルダ配下の場合

%ALLUSERSPROFILE%\Hitachi\JP1\JP1_DEFAULT\JP1AJS3WEB

「%ALLUSERSPROFILE%」のデフォルトは「システムドライブ\ProgramData」です。

「システムで保護されたフォルダ」とは、次のパスを指します。

- 「システムドライブ\Windows」配下
- 「システムドライブ\Program Files」配下

インストール先フォルダが上記以外の場合

JP1/AJS3 - Web Console のインストール先フォルダ

インストール先フォルダのデフォルトは、「システムドライブ\Program Files\HITACHI\JP1AJS3WEB」です。

(3) JP1/AJS3 のプロセス一覧

Windows の [タスクマネージャ] ウィンドウの [プロセス] タブでプロセスの動作状態を確認します。

JP1/AJS3 のプロセスの情報については、「付録 B.2 プロセス一覧 (Windows の場合)」を参照してください。

(4) オペレーション内容

トラブル発生時のオペレーション内容について次に示す情報が必要です。

1. オペレーション内容の詳細
2. トラブル発生時刻
3. マシン構成 (各 OS のバージョン, ホスト名, JP1/AJS3 - Manager と JP1/AJS3 - Agent の構成など)
4. 再現性の有無
5. JP1/AJS3 - View からログインしている場合は, ログインユーザー名
6. JP1/AJS3 - Web Console を利用していて, Web GUI またはユーザーアプリケーションからログインしている場合は, ログインユーザー名

(5) 画面上のエラー情報

次に示すハードコピーを採取してください。

1. アプリケーションエラーが発生した場合は, 操作画面のハードコピー

2. エラーメッセージダイアログボックスのハードコピー（および詳細ボタンがある場合はその内容）
3. コマンド実行時にトラブルが発生した場合は、[コマンドプロンプト] ウィンドウのハードコピー

(6) 組み込み DB の情報

次に示す組み込み DB に関する情報の採取が必要です。

表 1-14 JP1/AJS3 のトラブル発生時に採取が必要な JP1 の情報

情報の種類	デフォルトのファイル名	ツールでの採取
定義ファイル	組み込み DB 運用ディレクトリ%conf	○
障害情報	組み込み DB 運用ディレクトリ%spool	○
データベース情報	ajsembdbrogr コマンドに -k unld オプションを指定して取得したアンロードファイル	○

(凡例)

○：資料採取ツールで資料を採取できる。

(7) その他の情報

上記の(1)～(6)以外に必要な情報を次に示します。

1. Windows の [イベントビューア] ウィンドウの、[システムログ] および [アプリケーションログ] の内容
2. コマンド実行時にトラブルが発生した場合は、コマンドに指定した引数

1.3.2 UNIX の場合

(1) OS のログ情報

次に示す OS のログ情報の採取が必要です。

表 1-15 JP1/AJS3 のトラブル発生時に採取が必要な OS のログ情報

情報の種類	デフォルトのファイル名	ツールでの採取
syslog ^{※1}	1. /var/adm/syslog/syslog. log (HP-UX の場合) 2. /var/adm/messages (Solaris の場合) 3. /var/adm/syslog/	○

1. トラブルへの対処手順と必要な資料

情報の種類	デフォルトのファイル名	ツールでの採取
syslog ^{※1}	または/var/adm/syslog/* (AIX の場合) 4./var/log/messages* (Linux の場合)	○
hosts ファイル services ファイル passwd ファイル environment ファイル ^{※2} inittab ファイル	1./etc/hosts 2./etc/services 3./etc/passwd 4./etc/environment 5./etc/inittab	○
各 OS のパッチ情報	—	○
各 OS の共有ライブラリーファイル	—	○
プロセス一覧	—	○
core ファイル ^{※3}	1./opt/jp1ajs2 配下にあるcore 2./var/opt/jp1ajs2 配下にあるcore 3.JP1/AJS3 - View ログインユーザーにマッピングした OS ユーザーのホームディレクトリにあるcore (ツールでは採取できません) 4./opt/jp1base 配下にあるcore 5./var/opt/jp1base/log 配下にあるcore クラスタ運用している場合は、次のファイルの採取も必要です。 /共有ディレクトリ/jp1ajs2/database/core	○ ^{※4}
エラーログ情報 ^{※2}	—	○
ネットワーク構成情報	—	○
インストール済みの日立製品情報	/etc/.hitachi/pplistd/pplistd	○

(凡例)

- ：資料採取ツールで資料を採取できる。
- ：デフォルトのファイル名なし。

注※1

システムの設定によっては、調査時に過去の syslog が必要な場合があります。システムの設定で頻繁に syslog を切り替えるシステムの場合には、手動で過去の syslog を採取してください。

注※2

AIX の場合だけ採取します。

注※3

core ファイルの出力設定が使用中のホストのセキュリティポリシーに反する場合を除いて、JP1/AJS3 のプロセスの core ファイル出力を制限する設定をしないでください。core ファイルの出力が不完全な

場合、障害調査ができなくなるおそれがあります。詳細については、各 OS のドキュメントを参照してください。

注※4

コマンドを実行して core ファイルが出力された場合、カレントディレクトリの core ファイルを手動で採取する必要があります。また、JP1/AJS3 - View 使用時にネットワーク制御プロセスで問題が発生した場合は、ログインした JP1 ユーザーがマッピングされている OS ユーザーのホームディレクトリの core ファイルを手動で採取する必要があります。

(2) JP1 の情報

JP1 に関する次の情報の採取が必要です。また、ネットワーク接続でのトラブルの場合、接続先ホスト上のファイルの採取も必要です。

表 1-16 JP1/AJS3 のトラブル発生時に採取が必要な JP1 の情報

情報の種類	デフォルトのファイル名	ツールでの採取
ログファイル 作業ファイル 定義ファイル	1. /var/opt/jp1ajs2/log 2. /var/opt/jp1base/log 3. /etc/opt/jp1base/conf/user_acl 4. /etc/opt/jp1ajs2/conf 5. /var/opt/jp1ajs2/database 6. /var/opt/jp1ajs2/sys 7. /var/opt/jp1ajs2/jobinf 8. /var/opt/jp1ajs2/tmp/schedule 9. /opt/jp1ajs2/PatchHistory 10. /opt/jp1ajs2/PatchLog 11. /var/opt/jp1ajs3web/log 12. /var/opt/jp1ajs3web/sys 13. /etc/opt/jp1ajs3web/conf 14. /opt/jp1ajs3web/PatchLog 15. /opt/jp1ajs3web/sys 16. /opt/jp1ajs3web/uCPSB/CC/server/usrconf 17. /opt/jp1ajs3web/uCPSB/CC/web/redirector 18. /opt/jp1ajs3web/uCPSB/httpsd/conf クラスタ運用している場合は、次のディレクトリの採取も必要です。 1. /共有ディレクトリ/jp1ajs2 2. /共有ディレクトリ/jp1base/log 3. /共有ディレクトリ/jp1base/conf 4. /共有ディレクトリ/jp1ajs3web	○
統合トレースログディレクトリ	/var/opt/hitachi/HNTRLib2/spool	○

情報の種類	デフォルトのファイル名	ツールでの採取
データベースディレクトリのファイルリスト情報	-	○
JP1/Base のファイルリスト情報	-	○
core 解析に必要な情報	-	○

(凡例)

- ：資料採取ツールで資料を採取できる。
- ：デフォルトのファイル名なし。

❗ 重要

情報を採取する場合には、cp コマンドなどではなく、tar コマンドで採取してください。採取ディレクトリの下に、システムファイルがあるため、cp コマンドなどで採取すると、予期しない現象が発生するおそれがあります。

(3) JP1/AJS3 のプロセス一覧

ps コマンドでプロセスの動作状態を確認します。

JP1/AJS3 のプロセスの情報については、「付録 B.3 プロセス一覧 (UNIX の場合)」を参照してください。

(4) オペレーション内容

トラブル発生時のオペレーション内容について次に示す情報が必要です。

1. オペレーション内容の詳細
2. トラブル発生時刻
3. マシン構成 (各 OS のバージョン、ホスト名、JP1/AJS3 - Manager と JP1/AJS3 - Agent の構成など)
4. 再現性の有無
5. JP1/AJS3 - View からログインしている場合は、ログインユーザー名
6. JP1/AJS3 - Web Console を利用していて、Web GUI またはユーザーアプリケーションからログインしている場合は、ログインユーザー名

(5) 組み込み DB の情報

次に示す組み込み DB に関する情報の採取が必要です。

1. トラブルへの対処手順と必要な資料

表 1-17 JP1/AJS3 のトラブル発生時に採取が必要な JP1 の情報

情報の種類	デフォルトのファイル名	ツールでの採取
定義ファイル	組み込み DB 運用ディレクトリ/conf	○
障害情報	組み込み DB 運用ディレクトリ/spool	○
データベース情報	ajsembdbbrorg コマンドに-k unld オプションを指定して取得したアンロードファイル	○

(凡例)

○：資料採取ツールで資料を採取できる。

(6) その他の情報

コマンド実行時にトラブルが発生した場合は、コマンドに指定した引数の採取が必要です。

1.4 資料の採取方法

トラブルが発生したときに、資料を採取しておくことで、トラブルが発生した原因が調査できます。調査して原因がわかると、発生したトラブルに対処できます。トラブル発生時の資料の採取方法を次に示します。

1.4.1 Windows の場合

(1) 資料採取ツールを実行する

JP1/AJS3 では、次の表に示す資料採取ツールを提供しています。運用に応じてどちらかの資料採取ツールを実行してください。

表 1-18 JP1/AJS3 で提供する資料採取ツール (Windows の場合)

資料採取ツール	用途
jajs_log.bat	ログファイルなどの出力先をデフォルトから変更していない場合や、その他の情報の採取が必要ない場合に使用します。
_04.bat	ログファイルなどの出力先をデフォルトから変更した場合や、その他の情報を採取したい場合に、カスタマイズして使用します。

資料採取ツール (_04.bat) のセットアップについては、マニュアル「JP1/Automatic Job Management System 3 構築ガイド 7.1 ログ情報の採取方法」を参照してください。

資料採取ツールの実行例を次に示します。

jajs_log.bat を使用する場合

```
C:>C:\Program Files\HITACHI\JP1AJS2\tools\jajs_log.bat
```

_04.bat をカスタマイズし、trouble.bat として使用する場合

```
C:>C:\usertools\trouble.bat
```

資料採取ツールの実行結果は、デフォルトでは「%TEMP%\jp1ajs2\backlog」下のフォルダに出力されます。これらのフォルダをバックアップしてください。

資料採取ツールは、クラスタ運用時、論理ホスト名を指定して資料を採取できます。また、採取する資料を限定するオプションも提供しています。Windows で使用する資料採取ツールの詳細については、マニュアル「JP1/Automatic Job Management System 3 コマンドリファレンス 3. 通常の運用で使用するコマンド jajs_log.bat または _04.bat (Windows 限定)」を参照してください。

(2) ダンプファイルを採取する

Windows で STOP エラーが発生した場合や、アプリケーションがクラッシュした場合、ダンプファイル（メモリーダンプおよびクラッシュダンプ）や問題レポートが必要となることがあります。

ダンプファイルおよび問題レポートの採取方法を次に示します。

(a) ダンプファイルの採取方法

トラブル発生時に出力されたダンプファイルは、手動で採取してください。

注意事項

トラブル発生時にダンプファイルが出力されるには、事前の設定が必要です。ダンプファイルの出力設定については、マニュアル「JP1/Automatic Job Management System 3 構築ガイド 7.1.2 ダンプファイルの出力設定手順」を参照してください。

(b) 問題レポートの採取方法

ホスト上の問題点を検出し、それぞれの問題に対する解決策を調査できます。JP1/AJS3 のプロセスがアプリケーションエラーで停止した場合、次の手順で問題レポートを採取してください。

1. コントロールパネルの [アクション センター] をクリックする。
[アクション センター] ダイアログボックスが表示されます。
2. [メンテナンス] をクリックする。
メンテナンスメニューが表示されます。
3. [問題レポートの解決策を確認] から、[信頼性履歴の表示] をクリックする。
[信頼性モニター] ダイアログボックスが表示されます。
4. [問題レポートをすべて表示] をクリックする。
[問題レポート] ダイアログボックスが表示されます。
5. 該当する問題をダブルクリックする。
問題レポートの詳細が表示されます。
6. [クリップボードにコピー] を選択する。
7. テキストエディターなどにコピーし、保存する。
テキストファイルに保存した問題レポートを、障害調査用の資料として利用してください。

(3) プロセスの状態を確認する

Windows の [タスクマネージャ] ウィンドウの [プロセス] タブで、プロセスの動作状態を確認してください。

JP1/AJS3 のプロセスの情報については、「付録 B.2 プロセス一覧 (Windows の場合)」を参照してください。

(4) オペレーション内容を確認する

トラブル発生時のオペレーション内容を確認し、記録しておいてください。確認が必要な情報を次に示します。

1. オペレーション内容の詳細
2. トラブル発生時刻
3. マシン構成 (各 OS のバージョン, ホスト名, JP1/AJS3 - Manager と JP1/AJS3 - Agent の構成など)
4. 再現性の有無
5. JP1/AJS3 - View からログインしている場合は, ログインユーザー名
6. JP1/AJS3 - Web Console を利用していて, Web GUI またはユーザーアプリケーションからログインしている場合は, ログインユーザー名

(5) 画面上のエラー情報を採取する

次に示すハードコピーを採取してください。

1. アプリケーションエラーが発生した場合は, 操作画面のハードコピー
2. エラーメッセージダイアログボックスのハードコピー
詳細ボタンがある場合はその内容をコピーしてください。
3. コマンド実行時にトラブルが発生した場合は, [コマンドプロンプト] ウィンドウのハードコピー
[コマンドプロンプト] ウィンドウのハードコピーを採取する際は, [コントロールパネル] の [コンソール] で, [コマンドプロンプト] ウィンドウについて次のように設定しておいてください。
[オプション] タブ
[簡易編集モード] がチェックされた状態にする。
[レイアウト] タブ
[画面バッファのサイズ] の [高さ] に「500」を設定する。

(6) 組み込み DB の情報を採取する

組み込み DB 使用時にエラーが発生した場合, 次に示す情報が必要です。

- 原因を調査するために必要な資料
- 組み込み DB の環境を再作成するために必要な情報

それぞれの情報を採取する方法について説明します。

(a) 原因を調査するために必要な情報

原因を調査するために必要な資料は、大別すると、OS の情報と組み込み DB の情報に分かれます。OS の情報は OS のコマンドなどで採取します。組み込み DB の情報は組み込み DB のコマンドなどで採取します。

問題解決支援のサポートサービスを利用する場合、原因調査に必要な情報と取得方法をトラブルの形態ごとに次の表に示します。優先順位が最も高い場合を 1 として、7 段階で示しています。

各トラブル形態の詳細は、次のとおりです。

性能

次の処理および操作の所要時間が長い場合

- 組み込み DB システムの開始（正常開始，再開，障害除去後開始を含む）
- 組み込み DB システムの停止（正常停止，強制停止を含む）
- 組み込み DB 操作コマンドの実行

無応答

次の処理および操作時に応答が返らない場合

- 組み込み DB システムの開始（正常開始，再開，障害除去後開始を含む）
- 組み込み DB システムの停止（正常停止，強制停止を含む）
- 組み込み DB 操作コマンドの実行

異常終了

次のうち、どれか一つ以上発生した場合

- 組み込み DB システムの異常終了
- 組み込み DB プロセスの異常終了
- 組み込み DB 操作コマンドの異常終了

表 1-19 障害の原因調査のために必要な情報と取得方法

項番	区分	取得する情報	取得方法	性能	無 応答	異常 終了
1	OS	Windows イベント ログ	OS の機能（コマンド）で取得します。	1	1	1
2		CPU 利用率およびデ バイス状況	パフォーマンスモニタで取得します。	3	4	3
3	組み込み DB	組み込み DB 障害 情報	次のフォルダ下にあるファイルを DAT などに取得 してください。 • 組み込み DB 運用ディレクトリ¥spool • 組み込み DB 運用ディレクトリ¥tmp	2	2	2

項番	区分	取得する情報	取得方法	性能	無 応答	異常 終了	
3	組み込み DB	組み込み DB 障害 情報	上記のフォルダ下にはエラーログファイル、コマンドログファイル、リモート系コマンド情報ファイル、および系切り替え機能情報ファイルが出力されます。	2	2	2	
4			エラーログファイル 組み込み DB 運用ディレクトリ¥spool¥errlog 下のファイルに出力されます。	2	2	2	
5			コマンドログファイル 組み込み DB 運用ディレクトリ¥spool¥cmdlog 下のファイルに出力されます。	2	2	2	
6			リモート系コマンド情報ファイル 組み込み DB 運用ディレクトリ¥spool¥pdrshs1 およびpdrshs2 に出力されます。	2	2	2	
7			系切り替え機能情報ファイル 組み込み DB 運用ディレクトリ¥spool¥pdshs1 およびpdshs2 に出力されます。	2	2	2	
8			仕様差吸収ライブラリーエラー情報ファイル	組み込み DB 運用ディレクトリ¥UXPLDIR¥SP00L ¥uxpllog1 およびuxpllog2 に出力されます。	2	2	2
9			組み込み DB システム定義の情報	組み込み DB 運用ディレクトリ¥conf 下のファイルを DAT などに取得してください。	4	5	4
10	SQL トレースファイルおよびエラーログファイル	出力されたファイルを DAT などに取得してください。ファイル名はpderr またはpdsq1 で始まっています。	—	6	5		
11	システムログファイル	ajsembdboplog コマンドでシステムログをアンロードします。アンロードログファイルを DAT などに取得してください。	6	7	6		

(凡例)

—：情報を取得する必要はありません。

注

リダイレクトで追加書きするファイルはファイル容量が単調増加するため、ディスク容量を圧迫します。したがって、ファイルを切り替えて一定世代で再使用する bat ファイルを作成してください。

(b) 組み込み DB の環境を再作成するために必要な情報

組み込み DB の運用中にトラブルが発生した場合、再現テストや原因究明のためにトラブルが発生した環境を作成する必要があるときがあります。そのため、次に示す、組み込み DB の環境を再作成するために必要な情報を採取してください。

- 組み込み DB 運用ディレクトリの下にある conf (ユーザーが定義ファイルを変更した場合)

- 組み込み DB に関連する環境変数
- 組み込み DB のデータ
組み込み DB のデータは、ajsembdbbrorg コマンドを実行して採取してください。

組み込み DB の環境を再作成するために必要な情報を採取する手順を次に示します。

1. 組み込み DB を起動する。
2. ajsembdbbrorg コマンドに -k unld オプションを指定して実行する。
3. 組み込み DB 運用ディレクトリの下にある conf を任意のフォルダに退避する。
4. 組み込み DB に関連する環境変数を収録する。

ajsembdbbrorg コマンドの操作の説明や詳細については、マニュアル「JP1/Automatic Job Management System 3 運用ガイド 9.2.2 データベースを再編成する場合」を参照してください。

1.4.2 UNIX の場合

(1) 資料採取ツールを実行する

JP1/AJS3 では、次の表に示す資料採取ツールを提供しています。運用に応じてどちらかの資料採取ツールを実行してください。

表 1-20 JP1/AJS3 で提供する資料採取ツール (UNIX の場合)

資料採取ツール	用途
jajs_log	ログファイルなどの出力先をデフォルトから変更していない場合や、その他の情報の採取が必要ない場合に使用します。
_04	ログファイルなどの出力先をデフォルトから変更した場合や、その他の情報を採取したい場合に、カスタマイズして使用します。

資料採取ツール (_04) のセットアップについては、マニュアル「JP1/Automatic Job Management System 3 構築ガイド 16.1 ログ情報の採取方法」を参照してください。

資料採取ツールの実行例を次に示します。

jajs_log を使用する場合

```
# /opt/jp1ajs2/tools/jajs_log
```

_04 をカスタマイズし、trouble.sh として使用する場合

```
# /home/jp1ajs2/trouble.sh
```

資料採取ツールの実行結果は、デフォルトでは「/tmp/jp1ajs2/trouble/」の配下にファイルが出力されます。これらのファイルをバックアップしてください。

資料採取ツールは、クラスタ運用時、論理ホスト名を指定して資料を採取できます。また、採取する資料を限定するオプションも提供しています。UNIX で使用する資料採取ツールの詳細については、マニュアル「JP1/Automatic Job Management System 3 コマンドリファレンス 3. 通常の運用で使用するコマンド jajs_log または _04 (UNIX 限定)」を参照してください。

(2) core ファイルを採取する

core ファイルが出力されている場合は、core ファイルを採取してください。

core ファイルは、次のディレクトリのうちのどれかに出力されます。

1. /opt/jp1ajs2/bin ※1
2. /var/opt/jp1ajs2/database ※1
3. /opt/jp1ajs3web/bin ※1
4. ユーザーのホームディレクトリ ※2
5. コマンドなどを実行したカレントディレクトリ

注※1

資料採取ツールで採取できます。

注※2

JP1/AJS3 - View からの接続で core ファイルが出力された場合は、マッピングされている OS ユーザーのホームディレクトリになります。

また、core 解析に必要な情報だけを採取したい場合は `ajs2collectcore` コマンドを使用します。

`ajs2collectcore` コマンドの詳細については、マニュアル「JP1/Automatic Job Management System 3 コマンドリファレンス 3. 通常の運用で使用するコマンド `ajs2collectcore` (UNIX 限定)」を参照してください。

core ファイルの出力設定が使用中のホストのセキュリティポリシーに反する場合を除いて、JP1/AJS3 のプロセスの core ファイル出力を制限する設定をしないでください。core ファイルの出力が不完全な場合、障害調査ができなくなるおそれがあります。詳細については、各 OS のドキュメントを参照してください。

(3) プロセスの状態を確認する

`ps` コマンドを使ってプロセスの動作状態を確認してください。

JP1/AJS3 のプロセスの情報については、「付録 B.3 プロセス一覧 (UNIX の場合)」を参照してください。

(4) オペレーション内容を確認する

トラブル発生時のオペレーション内容を確認し、記録しておいてください。確認が必要な情報を次に示します。

1. オペレーション内容の詳細
2. トラブル発生時刻
3. マシン構成（各 OS のバージョン、ホスト名、JP1/AJS3 - Manager と JP1/AJS3 - Agent の構成など）
マシン構成については、コマンドを実行して調査できます。OS 別のコマンドの一覧を次の表に示します。

表 1-21 UNIX のマシン構成の調査に使用するコマンドの一覧

OS	OS のバージョンを調査するコマンド	ホストに搭載されている物理メモリ量を調査するコマンド	プロセス情報およびメモリ所要量を調査するコマンド
HP-UX	/usr/bin/uname -a	/usr/sbin/dmesg	/usr/bin/ps -elf
Solaris	/usr/bin/uname -a	/usr/sbin/prtconf	/usr/bin/ps -elf
AIX	/usr/bin/uname -a	/usr/sbin/bootinfo -r	/usr/bin/ps -elf
Linux	/bin/uname -a	/usr/bin/free (または, /bin/cat/proc/meminfo)	/bin/ps -elf

注

コマンドのオプションは、各 OS で標準的なオプションです。使用している環境によって仕様が異なる場合もあります。詳細については、使用している OS のドキュメントを参照してください。

4. 再現性の有無
5. JP1/AJS3 - View からログインしている場合は、ログインユーザー名
6. JP1/AJS3 - Web Console を利用していて、Web GUI またはユーザーアプリケーションからログインしている場合は、ログインユーザー名

(5) 組み込み DB の情報を採取する

組み込み DB 使用時にエラーが発生した場合、次に示す情報が必要です。

- 原因を調査するために必要な資料
- 組み込み DB の環境を再作成するために必要な情報

それぞれの情報を採取する方法について説明します。

(a) 原因を調査するために必要な情報

原因を調査するために必要な資料は、大別すると、OS の情報と組み込み DB の情報に分かれます。OS の情報は OS のコマンドなどで採取します。組み込み DB の情報は組み込み DB のコマンドなどで採取します。

1. トラブルへの対処手順と必要な資料

問題解決支援のサポートサービスを利用する場合、原因調査に必要な情報と取得方法をトラブルの形態ごとに次の表に示します。優先順位が最も高い場合を1として、7段階で示しています。

各トラブル形態の詳細は、次のとおりです。

性能

次の処理および操作の所要時間が長い場合

- 組み込み DB システムの開始（正常開始，再開，障害除去後開始を含む）
- 組み込み DB システムの停止（正常停止，強制停止を含む）
- 組み込み DB 操作コマンドの実行

無応答

次の処理および操作時に応答が返らない場合

- 組み込み DB システムの開始（正常開始，再開，障害除去後開始を含む）
- 組み込み DB システムの停止（正常停止，強制停止を含む）
- 組み込み DB 操作コマンドの実行

異常終了

次のうち、どれか一つ以上発生した場合

- 組み込み DB システムの異常終了
- 組み込み DB プロセスの異常終了
- 組み込み DB 操作コマンドの異常終了

表 1-22 障害の原因調査のために必要な情報と取得方法

項番	区分	取得する情報	取得方法	性能	無 応答	異常 終了
1	OS	syslog	OS の機能（コマンド）で取得します。	1	1	1
2		CPU 利用率およびデバイス状況	OS のコマンド（sar コマンドなど）で取得します。コマンドの詳細については、OS のマニュアルを参照してください。	3	4	3
3		プロセスの CPU 稼働・メモリー状態	OS のコマンド（top コマンドなど）で取得します。コマンドの詳細については、OS のマニュアルを参照してください。	3	4	3
4		仮想メモリー情報	OS のコマンド（vmstat コマンドなど）で取得します。コマンドの詳細については、OS のマニュアルを参照してください。	3	4	3
5		ネットワークステータス情報	OS のコマンド（netstat コマンドなど）で取得します。コマンドの詳細については、OS のマニュアルを参照してください。	3	4	3

項番	区分	取得する情報	取得方法	性能	無 応答	異常 終了
6	組み込み DB	組み込み DB 障 害情報	次のディレクトリ下にあるファイルを DAT などに取得してください。 <ul style="list-style-type: none"> • 組み込み DB 運用ディレクトリ/spool • 組み込み DB 運用ディレクトリ/tmp 上記のディレクトリ下にはエラーログファイルおよびコマンドログファイルが出力されます。	2	2	2
7			エラーログファイル 組み込み DB 運用ディレクトリ/spool/errlog 下の ファイルに出力されます。	2	2	2
8			コマンドログファイル 組み込み DB 運用ディレクトリ/spool/cmdlog 下の ファイルに出力されます。	2	2	2
9		組み込み DB シ ステム定義の 情報	組み込み DB 運用ディレクトリ/conf 下のファイルを DAT などに取得してください。	4	5	4
10		SQL トレース ファイルおよび エラーログファ イル	出力されたファイルを DAT などに取得してください。 ファイル名はpderr またはpdsq1 で始まっています。	—	6	5
11		システムログ ファイル	ajsembdboplog コマンドでシステムログをアンロードし ます。アンロードログファイルを DAT などに取得し てください。	6	7	6

(凡例)

—：情報を取得する必要はありません。

注

リダイレクトで追加書きするファイルはファイル容量が単調増加するため、ディスク容量を圧迫します。したがって、ファイルを切り替えて一定世代で再使用する汎用シェルスクリプトを作成してください。

(b) 組み込み DB の環境を再作成するために必要な情報

組み込み DB の運用中にトラブルが発生した場合、再現テストや原因究明のためにトラブルが発生した環境を作成する必要があるときがあります。そのため、次に示す、組み込み DB の環境を再作成するために必要な情報を採取してください。

- 組み込み DB 運用ディレクトリの下にある conf (ユーザーが定義ファイルを変更した場合)
- 組み込み DB に関連する環境変数
- 組み込み DB のデータ
 組み込み DB のデータは、ajsembdborg コマンドを実行して採取してください。

組み込み DB の環境を再作成するために必要な情報を採取する手順を次に示します。

1. 組み込み DB を起動する。
2. ajsembdborg コマンドに-k unld オプションを指定して実行する。
3. 組み込み DB 運用ディレクトリの下にある conf を任意のフォルダに退避する。
4. 組み込み DB に関連する環境変数を収録する。

ajsembdborg コマンドの操作の説明や詳細については、マニュアル「JP1/Automatic Job Management System 3 運用ガイド 9.2.2 データベースを再編成する場合」を参照してください。

2

トラブルへの対処方法

この節では、JP1/AJS3 を使用しているときに発生したトラブルの対処方法を説明します。

2.1 セットアップ, サービスの起動, または JP1/AJS3 の動作に関するトラブルへの対処

セットアップ, サービスの起動, または JP1/AJS3 の動作に関するトラブルの対処方法を次に示します。

2.1.1 セットアップに関するトラブルへの対処

(1) JP1/AJS3 のセットアップが正常に終了しない

次の要因が考えられます。

- メッセージ「KAVU5921-E 環境設定が不正かもしくは論理ホスト名が不正です」が出力される場合
JP1/Base をセットアップしていないか, またはクラスタ運用のためのセットアップで指定した論理ホスト名が不適切であるおそれがあります。

セットアップ手順を確認し, 再セットアップしてください。クラスタ運用のためのセットアップでは, `jqimport` コマンドに `-mh` オプションとともに論理ホスト名を必ず指定してください。

- メッセージ「KAVU5950-E 同じ識別子またはオブジェクト名が指定されています (行番号)」が出力される場合

QUEUE ジョブ, サブミットジョブの実行環境構成定義ファイル (`jqsetup.conf`) 中のエージェント定義 (`$agent`), キュー定義 (`$queue`), 排他実行リソース定義 (`$res`) が不適切であるおそれがあります。

QUEUE ジョブ, サブミットジョブの実行環境構成定義ファイルの定義内容を確認してください。そのあと, JP1/AJS3 を再セットアップしてください。

QUEUE ジョブ, サブミットジョブの実行環境構成定義ファイルの格納場所は次のとおりです。

Windows の場合

JP1/AJS3 のインストール先フォルダ¥conf¥jqsetup.conf

UNIX の場合

/etc/opt/jp1ajs2/conf/jqsetup.conf

QUEUE ジョブ, サブミットジョブの実行環境構成定義ファイルの定義内容については, 次の点を確認してください。

- 「`$agent $an` (`n` はエージェント ID)」を定義する際, 同じ ID を複数定義していないこと。
- 「`def_queue $qn` (`n` はデフォルトキューの ID)」と 「`$queue $qn` (`n` はキュー ID)」に同じ ID を定義していないこと。
- 「`$queue $qn` (`n` はキュー ID)」を定義する際, 同じ ID を複数定義していないこと。
- 「`$res $rn` (`n` は排他実行リソース ID)」を定義する際, 同じ ID を複数定義していないこと。
- 同じ名称のエージェントを複数定義していないこと。

- 同じ名称のキューを複数定義していないこと。
- 同じ名称の排他実行リソースを複数定義していないこと。

QUEUE ジョブ、サブミットジョブの実行環境構成定義ファイル (jqsetup.conf) の定義内容の詳細については、マニュアル「JP1/Automatic Job Management System 3 コマンドリファレンス 4. 特別な運用で使用するコマンド jqimport」を参照してください。

2.1.2 サービスの起動に関するトラブルへの対処

(1) JP1/AJS3 のサービスが起動しない

次の要因が考えられます。

- 統合トレースログに、メッセージ「KAVU5285-E データベーステーブルがないかシステム資源が不足しています (要因箇所)」が出力される場合
 QUEUE ジョブ、サブミットジョブを使用している場合に、QUEUE ジョブ、サブミットジョブの実行環境データベースが正しく作成されていないおそれがあります。jqimport コマンドで QUEUE ジョブ、サブミットジョブの実行環境データベースを作成または再作成してください。データベースの作成または再作成の流れについては、「2.11.2 QUEUE ジョブ、サブミットジョブの実行環境データベースの再作成手順」を参照してください。
- 統合トレースログに、メッセージ「KAVU5284-E システム資源が不足しています (要因箇所)」が出力される場合
 JP1/AJS3 の運用に必要なシステム資源 (セマフォなど) が不足しているおそれがあります。システム資源の見積もりを確認してください。そのあと、JP1/AJS3 を再起動してください。
- メモリー不足の状態で JP1/AJS3 サービスを起動すると、「KAVU1203-E エージェントプロセス起動に失敗しました (要因番号:12)」や「KAVU1204-E マネージャプロセス起動に失敗しました (要因番号:12)」がログに出力される場合があります。その場合は、メモリーの見積もりを見直してください。また、ほかの不要なアプリケーションが起動されている場合はアプリケーションを停止したあと、JP1/AJS3 サービスを再起動してください。
- JP1/AJS3 サービスを起動すると、「KAVU1203-E エージェントプロセス起動に失敗しました (要因番号:0xffffffff)」や「KAVU1204-E マネージャプロセス起動に失敗しました (要因番号:0xffffffff)」が統合トレースログに出力される場合があります。その場合は、JP1/AJS3 サービスの初期化に失敗しているおそれがあります。統合トレースログで直前に出力されているメッセージを参照し、要因を取り除いたあとで、JP1/AJS3 サービスを再起動してください。
- JP1/AJS3 サービスを起動すると、次に示すメッセージが統合トレースログに出力される場合があります。
 - KAVU1103-I 同じ論理ホスト(論理ホスト名)上でプロセス監視モニターが起動中です
 - KAVU4111-E 同じ論理ホスト(論理ホスト名)上でキューイング制御もしくは jqimport コマンドが起動中です

- KAVS0500-E スケジューラーサービスは既に開始しています

この場合、JP1/AJS3 サービスが異常終了して、JP1/AJS3 のプロセスが停止されずに残っているおそれがあります。次に示す方法で、JP1/AJS3 のプロセスを強制終了したあと、JP1/AJS3 サービスを再起動してください。

Windows の場合

物理ホストおよび論理ホストの JP1/AJS3 サービスを停止し、タスクマネージャーで JP1/AJS3 のプロセスが残っていないか確認してください。JP1/AJS3 のプロセスが残っている場合は、タスクマネージャーから強制終了するか、システムを再起動してください。

UNIX の場合

物理ホストの JP1/AJS3 サービスが起動できない場合は、物理ホストおよび論理ホストの JP1/AJS3 サービスを停止し、ps コマンドを実行して JP1/AJS3 のプロセスが残っていないか確認してください。JP1/AJS3 のプロセスが残っている場合は、kill コマンドを実行して強制終了してください。

論理ホストの JP1/AJS3 サービスが起動できない場合は、起動できない論理ホストに対して jajs_killall.cluster コマンドを実行して、残っているプロセスを強制終了してください。

- 統合トレースログに、メッセージ「KAVS8033-E 接続元制限機能の処理中にエラーが発生しました(要因コード: 要因コード, ホスト名: ホスト名) : 保守情報」が出力される場合、接続許可設定ファイルの読み込みに失敗したおそれがあります。次のことを確認してください。
 - 環境設定ファイル格納フォルダに接続許可設定ファイルがあるか
 - 接続許可設定ファイルの参照権限があるか
- マネージャー用接続許可設定ファイルに自ホストの IP アドレスを記載しないで JP1/AJS3 サービスを起動すると、統合トレースログにメッセージ「KAVU4335-E ホスト (接続元 IP アドレス) からの要求を無視しました (要因, ホスト名)」が出力され、JP1/AJS3 サービスが停止します。メッセージ KAVU4335-E が出力された場合は、ループバックアドレスや論理ホストの IP アドレスなど、接続元 IP アドレスとして使用される可能性のあるすべての IP アドレスをマネージャー用接続許可設定ファイルに記載してから JP1/AJS3 サービスを起動してください。

(2) JP1/AJS3 のサービスの起動に時間が掛かる

JP1/AJS3 は、起動時に、認証サーバに対して初期化処理を要求します。その際、認証サーバが起動していなくても JP1/AJS3 は起動しますが、起動に時間が掛かります。

このような現象を回避する場合、認証サーバが起動したあとに、JP1/AJS3 を起動してください。

2.1.3 JP1/AJS3 の動作に関するトラブルへの対処

(1) JP1/AJS3 が正常に動作しない

次の内容について確認してください。

- JP1/AJS3 を、スタンバイ状態、レジューム状態、サスペンド状態などのプログラムが停止する状態にしていないことを確認してください。
- システムの日時を変更した場合は、マニュアル「JP1/Automatic Job Management System 3 運用ガイド 7.9.3 システムの日時を変更する」に記載されている手順に従って変更していることを確認してください。

(2) IPv6 アドレスでの通信で異常が発生する

次の内容について確認してください。IPv6 アドレスの詳細については、マニュアル「JP1/Automatic Job Management System 3 設計ガイド（システム構築編） 2.3.5 IPv6 アドレスによる通信」を参照してください

- マネージャーホストで JP1/AJS3 サービスが起動しない場合、マネージャーホストが IPv4・IPv6 ホストであるか確認してください。
マネージャーホストが IPv4 プロトコルにも対応していないと、JP1/AJS3 サービスは起動しません。
- IPv6 アドレスで通信できない場合、`jp1ping` コマンドを実行して、接続先のホストとの接続を確認してください。詳細については、マニュアル「JP1/Base 運用ガイド」を参照してください。

2.2 ジョブ実行環境のトラブルへの対処

ジョブ実行環境に関するトラブルの対処方法について説明します。

既存のエージェントホストで障害が発生した、または構成定義を変更できるエージェントホストが遠隔地にある場合は、次のように対処してください。

ajsatgadd コマンドで、新しい実行エージェントを作成してください。QUEUE ジョブ、サブミットジョブを使用する場合は、jppqimport コマンドで QUEUE ジョブ、サブミットジョブの実行環境の構成を定義して、jppqagtadd コマンドやjppqqueopen コマンドなどで、新しいエージェントを使用できるようにしてください。

また、セットアップ時に、環境設定パラメーターAutoCreate に「1」を設定した場合、ジョブのサブミット時に代替の実行エージェントまたはエージェントが自動的に追加され、追加された実行エージェントまたはエージェントでジョブを実行することもできます。

エージェントの自動定義の設定は、エージェントホストの障害などの緊急時を事前に想定して、システム管理者がセットアップ時に実施してください。エージェントの自動定義の設定を有効にしてジョブを実行するときは、JP1_JPQ_User 権限だけでなく、JP1_JPQ_Admin 権限を持つ JP1 ユーザーで実施してください。また、次の場合にエラーが発生するおそれがあるので、事前に確認してください。

- メモリーが不足していないか。
- ディスク容量が不足していないか。
- データベースのアクセスに失敗していないか。
- すでに同じ名称のキューがないか。
- エージェントの数が最大定義数に達していないか。
- マネージャーホストに接続できないという通信障害が起きていないか。
- イベント・アクション制御マネージャプロセスが起動しているか。
- 実行エージェントまたはエージェントを追加できるアクセス権限があるか。

次に示す手順に従ってエージェントの自動定義を設定し、ジョブを実行してください。

1. 環境設定パラメーター AutoCreate を設定する。

環境設定パラメーターAutoCreate を、次のように設定します。

```
"AutoCreate"=dword:1
```

エージェントホストに障害が発生した場合に、次の手順を実施してください。

2. ジョブを実行する。

JP1/AJS3 - View の場合（Windows の場合）

ジョブの [詳細定義] ダイアログボックスの [実行エージェント] に自動定義したいエージェントホスト名を指定したあと、実行登録します。

jqjjobsub コマンドの場合

-ah オプションに、自動定義したいエージェントホスト名を指定してコマンドを実行します。

注意事項

- 実行エージェントはジョブの実行登録時に追加されます。そのため、ジョブの実行開始に失敗した場合でも、実行エージェントは追加された状態になっています。削除したい場合は、ajsagtdel コマンドで削除してください。
- エージェントはジョブのサブミット時に追加されます。そのため、ジョブの実行開始に失敗した場合でも、エージェントは追加された状態になっています。削除したい場合は、jqjagtdel コマンドで削除してください。
- JP1/AJS3 の運用中にエージェントの自動定義の設定を有効にした場合、JP1/AJS3 を再起動する必要があります。

補足事項

自動的に追加された実行エージェントの設定値またはエージェントのデフォルトキューの設定値は、セットアップ時のデフォルトと同じ値です。設定値のデフォルトを次の表に示します。

表 2-1 追加された実行エージェントの設定項目とデフォルト

実行エージェントの設定項目	設定値のデフォルト
実行ホスト名	実行エージェント名と同じ
ジョブ実行多重度	00:00-00:00=5（終日、ジョブ実行多重度は 5）
ジョブの配信状態	有効
説明文	なし

実行エージェントの設定値は、ajsagtalt コマンドで変更できます。

コマンドの詳細については、マニュアル「JP1/Automatic Job Management System 3 コマンドリファレンス 3. 通常の運用で使用するコマンド ajsagtalt」を参照してください。

表 2-2 追加されたエージェントおよびエージェントのデフォルトキューの設定項目とデフォルト

デフォルトキューの設定項目	設定値のデフォルト
ジョブ実行多重度を変更する期間と実行多重度	00:00-00:00=5（終日、ジョブ実行多重度は 5）
ジョブ数の最大値	100
ジョブ数の警告値	80
ジョブの受付口の状態	open
ジョブの取出口の状態	open
接続するエージェント	自エージェントホスト
エージェントの優先順位	1

追加されたエージェントおよびエージェントのデフォルトキューの設定値は、次のコマンドで変更できます。

- jpqagtalt
- jpqquealt
- jpqqueopen
- jpqqueclose
- jpqagtlink
- jpqagtunlink

コマンドの詳細については、マニュアル「JP1/Automatic Job Management System 3 コマンドリファレンス 4. 特別な運用で使用するコマンド」を参照してください。

2.3 JP1/AJS3 - View のログインでのトラブルへの対処

JP1/AJS3 - View のログインに関するトラブルの対処方法を次に示します。

2.3.1 JP1/AJS3 にログインできない場合の対処

次の要因が考えられます。

- メッセージ「KAVV400-E 接続先ホスト（ホスト名）または接続先ホストの JP1/AJS3 サービスに接続できません。詳細情報：ポート番号, 接続先 IP アドレス」が出力される場合
次の内容について確認・対応してください。
 - 次のコマンドが正常に実行できるかどうか確認してください。
ping 接続先ホストの IP アドレスまたはホスト名
接続先ホストからの応答がない場合、接続先ホストが起動していないか、または接続先ホストとネットワーク接続できない状態です。
 - 接続先ホストで、JP1/AJS3 サービスが起動しているかどうかを確認してください。
サービスの状態を確認する方法を次に示します。
Windows の場合
[サービス] ダイアログボックス、または [サービス] ウィンドウで、JP1/AJS3 サービスの状態が [開始] の状態になっていることを確認してください。または、[タスクマネージャ] ウィンドウの [プロセス] タブで、ajsinetd プロセスが起動していることを確認してください。
UNIX の場合
ps コマンドを実行し、ajsinetd プロセスが起動していることを確認してください。
- 接続先ホストと接続元ホストとの間にファイアウォールがあるかどうかを確認してください。ある場合は、パケットフィルタリングの設定に誤りがないかどうかを、マニュアル「JP1/Automatic Job Management System 3 設計ガイド（システム構築編） 付録 A 設定するポート番号一覧」の説明を参考に確認してください。
- メッセージ中のポート番号の値と、接続先ホストの services ファイルに定義されているポート番号の値が一致するかどうかを確認してください。
- メッセージ「KAVV412-E ホスト名が不正です。」が出力される場合
ホスト名が解決できるように設定してください。
- メッセージ「KAVV452-E 接続数が最大値を超えたため接続できません。」が出力される場合
次に示す環境設定パラメーターの設定値を見直して、論理ホスト単位、またはスケジューラーサービス単位の JP1/AJS3 - View の最大接続数が正しい値になっているか確認してください。
 - 環境設定パラメーター MAXSESSION（論理ホスト単位の JP1/AJS3 - View の最大接続数）
 - 環境設定パラメーター SERVICEMAXSESSION（スケジューラーサービス単位の JP1/AJS3 - View の最大接続数）

詳細については、マニュアル「JP1/Automatic Job Management System 3 構築ガイド 20.4 スケジューラーサービス環境設定」を参照してください。

- メッセージ「KAVV457-E ユーザー名かパスワードに誤りがあります。」が出力される場合
 - ログイン時に入力した JP1 ユーザー名とパスワードに誤りがないか確認してください。
 - ログイン時に入力した JP1 ユーザー名とパスワードが、接続先の認証サーバに正しく登録されているか確認してください。
 - セカンダリー認証サーバを設置している環境で、プライマリー認証サーバが閉塞状態の場合は、プライマリー認証サーバの設定情報とセカンダリー認証サーバの設定情報が同じであるか確認してください。パスワードを変更した際に、変更後のパスワードがプライマリー認証サーバにだけ登録されて、セカンダリー認証サーバに設定情報がコピーされていないおそれがあります。
- メッセージ「KAVV458-E 接続先でユーザーマッピングに失敗しました。」が出力される場合
接続先ホストで `jbsgetumap` コマンドを実行し、標準出力データを参照して次の内容について確認してください。
なお、`jbsgetumap` コマンドの詳細については、マニュアル「JP1/Base 運用ガイド」を参照してください。
 - JP1/AJS3 - View から JP1/AJS3 - Manager へログインする際に入力した JP1 ユーザー名が標準出力データに出力されていない場合、接続先ホストでのユーザーマッピングの設定が不適切です (JP1 ユーザーと OS ユーザーがマッピングされていません)。
 - JP1 ユーザー名に対するサーバホスト名に「*」以外が出力されている場合、サーバホスト名と自ホスト名が一致しているかどうかを確認してください。
また、マニュアル「JP1/Base 運用ガイド」に記載されているユーザーマッピングの設定に関する説明を参照して、自ホスト名を正しく指定していることを確認してください。
 - 標準出力データに出力された OS ユーザー名が OS ユーザーとしてあるかどうかを確認してください。
また、接続先ホストの OS が Windows の場合、次の点についても確認してください。
 - JP1/Base のパスワード管理の設定で、JP1 ユーザー名とマッピングする OS ユーザー名が登録されているかどうかを確認してください。
 - マッピングしている OS ユーザーのパスワードが OS 側の設定で変更されていないかどうかを確認してください。
 - マッピングしている OS ユーザーのアカウントがロックアウトされていないかどうかを確認してください。
 - マッピングしている OS ユーザーのアカウントにローカルログオンできる権限があるかどうかを確認してください。
- メッセージ「KAVV459-E 接続先の JP1/Base でエラーが発生しました。」が出力される場合
次の内容について確認してください。
 - 接続先ホストで設定している認証サーバのホスト名の指定に誤りがないかどうかを確認してください。
 - 認証サーバのホスト名の指定が正しい場合は、そのホストで認証サーバが起動しているかどうかを確認してください。

特に、UNIX で認証サーバを自ホストに指定している場合、JP1/Base を認証サーバとして起動する設定が必要なので注意してください。詳細については、マニュアル「JP1/Base 運用ガイド」の認証サーバの設定に関する説明を参照してください。

- メッセージ「KAVV3102-E 接続が拒否されました。」が出力される場合
接続先マネージャーホストの統合トレースログに出力されているメッセージ KAVS8040-E を確認してください。必要な IP アドレスをマネージャー用接続許可設定ファイルに追加し、jajs_pmtcon コマンドを実行してください。
- メッセージ「KAVV3103-E SSL 通信の処理中にエラーが発生しました。(ファイル名, 保守情報)」が出力される場合
このメッセージは、接続先マネージャーホストとの通信に通信暗号化機能を設定している場合に出力されます。JP1/AJS3 - View ホスト上に、接続先マネージャーホストに配置したサーバ証明書を検証するためのルート証明書を適切に配置しているかどうか見直してください。また、JP1/AJS3 - View と JP1/AJS3 - Manager で通信暗号化機能の有効・無効が一致しているかどうか確認してください。

2.3.2 JP1/AJS3 へログイン直後に接続が切断される場合の対処

次の要因が考えられます。

- メッセージ「KAVV401-E 接続先とのデータの送受信に失敗しました。」が出力される場合
接続先ホストが Windows の場合、接続先ホストでデスクトップヒープ領域不足が発生しているおそれがあります。
接続先ホストでデスクトップヒープ領域の消費を抑えるように、次の環境設定パラメーターを設定してください。
 - 環境設定パラメーター REUSELOGON (ログオンセッションのプロセス起動方法)
 - 環境設定パラメーター LOGONSHMAX (ログオン共有セッション数)
- 詳細については、マニュアル「JP1/Automatic Job Management System 3 構築ガイド 20.4 スケジューラーサービス環境設定」を参照してください。

2.4 Web GUI に関するトラブルへの対処

Web GUI に関するトラブルへの対処方法を次に示します。

2.4.1 画面が表示されない、または表示が崩れる場合の対処

次の要因が考えられます。

- 使用している OS または Web ブラウザーが、前提 OS および前提 Web ブラウザーと異なるおそれがあります。使用している OS および Web ブラウザーを確認してください。
- Web ブラウザーの表示倍率が 100% でない場合、表示が崩れるおそれがあります。表示倍率が 100% になっていることを確認してください。
- 使用している OS のテキストサイズの設定が 100% でない場合、表示が崩れるおそれがあります。設定が 100% になっていることを確認してください。
- Web ブラウザーのポップアップブロックの設定を有効にしている場合、Web GUI の画面やダイアログボックスの表示がブロックされることがあります。Web ブラウザーのポップアップブロックの設定で、許可するサイトに Web Console サーバのアドレスを追加し、ポップアップブロックを解除してください。

2.4.2 SSL 通信を使用するとログイン画面が表示されない場合の対処

SSL 通信を使用しない HTTP 接続だとログイン画面が表示されるが、SSL 通信を使用する HTTPS 接続だとログイン画面が表示されない場合、次の要因が考えられます。

- Web ブラウザーで SSL 通信が無効に設定されているおそれがあります。Web ブラウザーで SSL 通信を有効にしてください。
- サーバ秘密鍵とサーバ証明書の秘密鍵が一致していないおそれがあります。サーバ秘密鍵と証明書発行要求 (CSR) を再作成してサーバ証明書を再取得し、JP1/AJS3 HTTP Server サービスを再起動してください。

2.4.3 バージョンアップインストール直後に画面の表示や操作を行った場合にエラーが発生するときの対処

Web ブラウザーにバージョンアップ前のコンテンツがキャッシュとして残っているおそれがあります。Web ブラウザーで一時ファイルを削除してください。

2.5 起動条件付きジョブネットの処理が遅延した場合の対処

特定の起動条件付きジョブネットに対して予期しない大量のイベントが発生した場合など、イベント・アクション制御マネージャーに未処理のデータが大量に蓄積する場合があります。この場合、イベントジョブに対する操作がしばらく経たないと行われず、条件に合致する事象が発生してもイベントジョブがなかなか正常終了しないなどの遅延が発生します。

このような場合に、イベント・アクション制御マネージャーが保持している情報を削除して運用を回復させることができます。

システムで問題が発生してから、運用状態を回復するまでの作業手順の例を次に示します。

1. 特定の起動条件付きジョブネットで予期しない大量イベントが発生する。
2. マネージャーホストでの処理が追いつかないでスローダウンする。
この影響で、ほかのイベントジョブがキューイングのままになるなどの現象が発生します。
3. イベント・アクション制御マネージャーがメッセージ KAVT0333-W を統合トレースログに出力する。
4. オペレーターが問題に気づき、3のメッセージからイベント・アクション制御マネージャーで問題が発生していることを認識する。
5. `jpomanevshow` コマンドを実行し、データを送信してくる頻度が高いエージェント、および起動条件付きジョブネットの情報を取得する。
6. 上記5で取得した情報（ユニットID）を基に、次に示すどちらかのコマンドを使用してジョブネット名を特定する。
 - `ajsname` コマンド
ユニット名を標準出力ファイルに出力する。
 - `jpomanjobshow` コマンド
マネージャーで実行中のイベントジョブの一覧を標準出力ファイルに出力する。
7. 上記6で特定した起動条件付きジョブネットを強制終了する。
強制終了できた場合は、ここで対策は終了となります。
8. 上記7で強制終了できない場合、または上記6で起動条件を特定できなかった場合、JP1/AJS3運用状態での回復は困難と判断し、起動条件付きジョブネットを実行しているスケジューラーサービスを停止する。
9. 問題の発生しているエージェントに対して、上記8で停止したスケジューラーサービスを指定して `jpomanevreset` コマンドを実行し、イベント・アクション制御マネージャーの状態を回復する。
10. `jpomanevreset` コマンドで、イベントジョブや起動条件の継続を選択した場合、エージェントホストで1が発生した原因を取り除く。
11. 上記8で停止したスケジューラーサービスを起動する。

各コマンドの詳細については、マニュアル「JP1/Automatic Job Management System 3 コマンドリファレンス 3. 通常の運用で使用するコマンド」を参照してください。また、スケジューラーサービスの停止

方法については、マニュアル「JP1/Automatic Job Management System 3 運用ガイド 7.5.2 スケジューラサービスを停止する」を参照してください。

2.6 ジョブまたはジョブネットに関するトラブルへの対処

ジョブまたはジョブネットに関するトラブルの対処方法を次に示します。

2.6.1 ジョブまたはジョブネットの実行登録時のトラブルへの対処

実行登録時にエラーになる場合は、ルートジョブネットに次に示すスケジュールルールが設定されていることが考えられます。ここで説明しているスケジュールルールを設定しないようにしてください。

- スケジュールルールで、開始日に過去の日付を指定し、かつ処理サイクルを設定していない。
- スケジュールルールで、開始日に不正な日付（例：2/30）を指定している。
- スケジュールルールで開始日に「休業日」を指定しているにもかかわらず、使用するカレンダー定義に休業日が設定されていない。
- スケジュールルールで開始日に「休業日」を指定しているにもかかわらず、休業日の振り替え方法で「実行しない」を指定している。
- スケジュールルールで休業日の振り替え方法に「実行しない」を指定しているにもかかわらず、使用するカレンダー定義にすべて休業日が設定されている。
- 排他スケジュールに指定したジョブネットと同じスケジュールルールが設定されている（すべての実行予定が排他スケジュールの対象となる）。
- 上位のジョブネットのスケジュールルール番号と対応するスケジュールルール番号から同一実行日が算出できない定義がされている。
- カレンダーを参照するジョブグループや排他スケジュールで不正なユニット（指定したユニットがないなど）を指定した場合、ジョブネットは「閉塞」状態となります。
- 実行予定が近接しているスケジュールの場合、計画実行登録では、そのときの状態や時刻によって動的にスケジュールを変更するために、スケジュールどおり実行予定が生成されないことがあります。

なお、ネストジョブネットに上記のようなスケジュールが設定されている場合は「未計画」となり、一時変更しないかぎり実行されません。

2.6.2 標準ジョブ、HTTP 接続ジョブ、アクションジョブ、およびカスタムジョブのトラブルへの対処

標準ジョブ、HTTP 接続ジョブ、アクションジョブ、およびカスタムジョブの実行に関するトラブルの対処方法を次に示します。

(1) 標準ジョブ, アクションジョブ, およびカスタムジョブを実行すると起動失敗となる

次の要因が考えられます。

- NFS などの、ネットワークを介したファイルシステムにマウントされたディスク上のディレクトリおよびファイルを定義パラメーターで正在している場合

JP1/AJS3 が作成または参照するディレクトリおよびファイルとして、NFS などの、ネットワークを介したファイルシステムにマウントされたディスク上のディレクトリおよびファイルを使用しないでください。使用した場合の動作については保証できません。ただし、次に示す定義パラメーターで使用するディレクトリおよびファイルに限定して、NFS などの、ネットワークを介したファイルシステムにマウントされたディスク上のディレクトリおよびファイルを使用できます。

- ジョブの実行ファイル名
- ジョブの標準出力ファイル名
- ジョブの標準エラー出力ファイル名
- ジョブの環境変数ファイル名
- ジョブの転送元ファイル名
- ジョブの転送先ファイル名
- ジョブの作業用パス
- ジョブ環境設定の作業用ディレクトリ
- 実行 OS ユーザーのホームディレクトリ

上記の定義パラメーターを正在している場合に、ネットワークにアクセスできないときは、ジョブの起動に失敗したりジョブの実行が遅延したりすることがあります。

- キューレスジョブ ([実行先サービス] に [キューレス] を指定した PC ジョブ, UNIX ジョブ, およびアクションジョブ) では、[実行エージェント] に指定されたホスト名の大文字と小文字を区別します。[実行エージェント] にキューレスジョブ実行ホスト上で設定されているホスト名が正しく設定されていることを確認してください。
- 統合トレースログに、メッセージ「KAVU4571-W エージェント (エージェントホスト名) でユーザーマッピング (ユーザー名) に失敗しました」が出力される場合
ジョブを実行するホストにユーザーマッピングが設定されていない、指定した JP1 ユーザーまたは実行ユーザーが登録されていないなど、ユーザーマッピングが正しく設定されていないおそれがあります。ユーザーマッピングの設定を確認し、ジョブを再実行 (再登録) してください。
- 統合トレースログに、メッセージ「KAVU4580-W エージェント (エージェントホスト名) にてユーザー (ユーザー名) に管理者権限がありません」が出力される場合 (UNIX 限定)
ジョブの実行優先順位として 4 または 5 が指定されたジョブを、スーパーユーザー権限を持たない実行ユーザーで実行したおそれがあります。

UNIX の場合、ジョブの実行優先順位として 4 または 5 を指定するときは、スーパーユーザー権限を持つ実行ユーザー (root ユーザー) でジョブを実行してください。

なお、Windows の場合は、ジョブの実行優先順位として 4 または 5 を指定しても、実行ユーザーの権限に Administrators 権限は不要です。

- 統合トレースログに、メッセージ「KAVU4512-W 指定されたキュー (キュー名) がありません」や、「KAVU4511-W 指定されたエージェント (エージェントホスト名) がありません」が出力される場合
QUEUE ジョブ、サブミットジョブの実行ホスト名やキュー名が不適切であるおそれがあります。
QUEUE ジョブ、サブミットジョブの実行環境が正しく作成されていることを確認してください。
確認時は、`jqexport` コマンドを実行し、現在定義されているエージェント名 (ジョブ実行ホスト名) やキュー名をファイルに出力してください。エージェント名は大文字・小文字が区別されませんが、キュー名は大文字・小文字が区別されるため注意してください。
エージェント名とキュー名の確認終了後、QUEUE ジョブ、サブミットジョブを再実行 (再登録) してください。
- 統合トレースログに、メッセージ「KAVU4514-W キュー (キュー名) の受付口がクローズされているためジョブ登録ができません」が出力される場合
キューが QUEUE ジョブ、サブミットジョブを受け付ける状態になっていないおそれがあります。
`jqqueshow` コマンドを実行し、キューのジョブ受付口の状態 (ENTRYSSTATUS) を確認してください。エージェントのデフォルトキューのジョブ受付口の状態を確認する場合は、`-ah` オプションとともにエージェントホスト名を指定してください。その他のキューのジョブ受付口の状態を確認する場合は、`-q` オプションとともにキュー名を指定してください。
ジョブ受付口が閉じられている場合 (「ENTRYSSTATUS:CLOSE」の場合)、`jqqueopen` コマンドを実行し、ジョブ受付口を開いてください。
- 統合トレースログに、メッセージ「KAVU4515-W キュー (キュー名) のジョブ最大数 (最大数) に達したためジョブ登録ができません」が出力される場合
QUEUE ジョブ、サブミットジョブのキューイング中および実行中のジョブ数の最大値に達したおそれがあります。
`jqqueshow` コマンドを実行し、QUEUE ジョブ、サブミットジョブ数の最大値 (MAXQUEUE) を確認してください。運用時は、QUEUE ジョブ、サブミットジョブ数が最大値以下になるようにしてください。
QUEUE ジョブ、サブミットジョブ数の最大値を変更する場合は、`jqquealt` コマンドを使用してキュー内のジョブ数の最大値を変更するか、または `jqqimport` コマンドを使用して QUEUE ジョブ、サブミットジョブの実行環境データベースを再作成してください。データベース再作成の流れについては、「[2.11.2 QUEUE ジョブ、サブミットジョブの実行環境データベースの再作成手順](#)」を参照してください。
- 統合トレースログに、メッセージ「KAVU4520-W 環境設定 (論理ホスト名) のシステム内の最大ジョブ数 (最大数) に達したためジョブ登録ができません」が出力される場合
QUEUE ジョブ、サブミットジョブのシステム内でキューイング中および実行中のジョブ数の最大値に達したおそれがあります。
システム内の最大ジョブ数は、環境設定パラメーター `MaximumContentJob` に指定した値です。

運用時は、QUEUE ジョブ、サブミットジョブ数がシステム内の最大ジョブ数以下になるようにしてください。

システム内の最大ジョブ数を変更する際は、リリースノートを参照し、適切な値を設定してください。

- 統合トレースログに、メッセージ「KAVU3586-W サービスのアカウントに必要な権限が設定されていません」、またはメッセージ「KAVU3571-W ユーザーマッピング (ユーザー名) に失敗しました」が出力される場合 (Windows 限定)

JP1/AJS3 のサービスのアカウントをユーザーアカウントに設定していないおそれがあります。さらに、そのユーザーアカウントに必要な権限を与えていないおそれがあります。

JP1/AJS3 のサービスのアカウントをユーザーアカウントに設定して、必要な権限を与えてください。JP1/AJS3 のサービスに対するアカウントの設定については、マニュアル「JP1/Automatic Job Management System 3 設計ガイド (システム構築編) 4.2 JP1/AJS3 のサービスの設定について検討する」を参照してください。なお JP1/AJS3 のサービスのアカウントを変更した場合は、JP1/AJS3 のサービスを再起動してください。

- 統合トレースログに、メッセージ「KAVU4581-W エージェント (エージェントホスト名) の実行ファイル (ファイル名) は実行可能ファイルではありません」が出力される場合

ファイルタイプに関連づけられているアプリケーションファイル名に空白文字が含まれているおそれがあります。

Windows のエクスプローラで [表示] - [オプション] を実行し、表示される [オプション] ダイアログボックスの [ファイルタイプ] タブで、関連づけられているアプリケーションを確認してください。アプリケーションファイル名に空白文字が含まれている場合は、そのファイル名を「" (ダブルクォーテーションマーク)」で囲んでください。

- 統合トレースログに、メッセージ「KAVU4531-W エージェント (エージェントホスト名) のホスト名に誤りがあると思われる」が出力される場合

エージェントのホスト名が不適切であるか、IP アドレスが解決できない名称であるおそれがあります。エージェントのホスト名が適切であること、または hosts ファイルなどを見直して IP アドレスが解決できる設定になっていることを確認してください。

- 統合トレースログに、メッセージ「KAVU4530-W エージェント (エージェントホスト名) が停止もしくは障害が発生したと思われる」が出力される場合

エージェント (ジョブ実行ホスト) の JP1/AJS3 サービスが停止していたり、マシン自体が停止していたり、ネットワークで障害が発生していたりするおそれがあります。

エージェント、JP1/AJS3 サービス、およびネットワークの状態を確認してください。

- 統合トレースログに、メッセージ「KAVU3521-W ジョブ (ジョブ番号) のプロセス生成に失敗しました」が出力される場合

メモリー不足のために、ジョブの起動に失敗しているおそれがあります。

メモリー容量の見積もりを確認してください。

- 統合トレースログに、メッセージ「KAVU4597-W エージェント (エージェントホスト名) で消失したジョブを強制終了します」や、メッセージ「KAVU4538-W エージェント (エージェントホスト名) で消失したジョブ (ジョブ番号) を回復状態 (状態名) にします」が出力される場合

上記のメッセージが出力されるケースを次に示します。

- JP1/AJS3 - Manager に実行中ジョブがある状態で、JP1/AJS3 - Manager ホストのダウン、または JP1/AJS3 プロセスのダウンが発生したあと、その JP1/AJS3 - Manager を再起動したケース。
- リモートの実行ホスト（エージェント）に実行中のジョブがある状態で、実行ホストのダウン、または JP1/AJS3 プロセスのダウンが発生したあと、実行ホストの JP1/AJS3 を再起動したケース。
- リモートの実行ホスト（エージェント）に実行中のジョブがある状態で、最初に JP1/AJS3 - Manager ホスト、次に実行ホストの順に停止したあと、JP1/AJS3 - Manager ホスト、および実行ホストを再起動したケース。

QUEUE ジョブ、サブミットジョブの場合、実行中ジョブの終了状態がジョブ実行環境のデータベースに反映されないまま強制停止されると、ジョブの終了状態が不明となり、メッセージ KAVU4597-W や KAVU4538-W が出力されます。

必要に応じて、ジョブネットまたはジョブを再実行登録してください。

- 統合トレースログに、メッセージ「KAVU4546-W エージェント（エージェントホスト名）でユーザーの環境変数PATHの取得に失敗しました」が出力される場合（UNIX 限定）

実行 OS ユーザーのログインスクリプト内に、処理を途中で終了してしまう条件がないかどうかを確認してください。

ログインスクリプト内に、JP1/AJS3 によるジョブ実行に不要な記述がある場合、不要な記述を削除してください。または、環境変数JP1JobIDで不要な記述をスキップするようにしてください。

- 統合トレースログに、メッセージ「KAVU5282-W データベース処理にてシステムコールエラーが発生しました（要因箇所、要因番号）」が出力される場合

QUEUE ジョブ、サブミットジョブのジョブ情報の件数が 20 万件を超えているおそれがあります。

次に示す手順に従ってジョブ情報の保存日数を変更し、QUEUE ジョブ、サブミットジョブのジョブ実行環境データベースを再作成してください。

1. ジョブ情報の保存日数を変更する。

ジョブ情報の件数が 20 万件を超えないような日数を指定します。

jaqs_config コマンドで環境設定パラメーターPreserveTermを設定してください。

2. jpqimport コマンドで QUEUE ジョブ、サブミットジョブのジョブ実行環境データベースを再作成する。

- 統合トレースログに、メッセージ「KAVU3577-W ジョブ実行処理でシステムコール（関数名）でエラーが発生しました（要因番号）」が出力される場合（UNIX 限定）

ジョブを実行するときにワークパスに指定したディレクトリがカレントディレクトリとして扱われていないおそれがあります。ワークパスの指定内容がカレントディレクトリとして動作します。

- 統合トレースログに、メッセージ「KAVU4548-W エージェント（エージェントホスト名）の一時作業用ファイルへのアクセスに失敗しました」、またはメッセージ「KAVU4583-W エージェント（エージェントホスト名）に実行シェルがありません」が出力される場合、JP1 ユーザーにマッピングする OS ユーザーが OS にログインできないおそれがあります。これらのメッセージが出力された場合は、メッセージごとに、次に示す項目を確認してください。

- メッセージ KAVU4548-W が出力された場合
/etc/passwd に指定したホームディレクトリがあるかどうか。
- メッセージ KAVU4583-W が出力された場合
/etc/passwd に指定したログインシェルがあるかどうか。
- 統合トレースログに、「KAVU7533-E JP1 ユーザー (論理ホスト名, ユーザー名) からユーザーマッピングした実行ユーザー (ユーザー名) は使用できません (要因番号: 1326)」というメッセージが出力される場合、Windows では、ジョブを実行する OS ユーザーのアクセストークンを取得できなかったおそれがあります。次の要因が考えられます。
 - Win32API 関数の一時的エラーによって、アクセストークンを取得できなかった。
 - ジョブの実行ユーザーがドメインユーザーの場合、ドメインコントローラーが起動していないなど、ドメインユーザーが一時的にログオンできる状態になっていなかった。
JP1/AJS3 では、ジョブ実行時にアクセストークンを取得しますが、ドメインコントローラーの数や状態を意識して動作していないため、ジョブの実行中にドメインコントローラーを再起動するような場合は注意してください。

なお、これらの一時的にアクセストークンを取得できないエラーの場合、アクセストークンを再利用する設定を行うことで、アクセストークンの取得の回数を最小限に減らし、エラーの発生頻度を抑えることができます。詳細については、マニュアル「JP1/Automatic Job Management System 3 構築ガイド 6.2.17 ジョブ実行時にアクセストークンを再利用するための設定」を参照してください。

また、アクセストークンを再利用した場合、デスクトップヒープの使用方法が変わります。そのため、システム全体で十分に検証した上で適用してください。詳細については、マニュアル「JP1/Automatic Job Management System 3 構築ガイド 6.2.17(3) 注意事項」を参照してください。アクセストークンの詳細については、マニュアル「JP1/Automatic Job Management System 3 導入ガイド 5.4.1 ジョブ実行時のユーザーアカウント」も参照してください。
- 統合トレースログに、メッセージ「KAVU4721-E 要求が拒否されました(ジョブ番号)」が出力される場合
ジョブの実行先ホストの統合トレースログに出力されているメッセージ KAVU3296-E を確認してください。必要な IP アドレスをエージェント用接続許可設定ファイルに追加し、jajs_pmtcon コマンドを実行してください。
- 統合トレースログに、メッセージ「KAVS8029-E 要求が拒否されました(ユニット名)」が出力される場合
ジョブの実行先ホストの統合トレースログに出力されているメッセージ KAVS8039-E を確認してください。必要な IP アドレスをエージェント用接続許可設定ファイルに追加し、jajs_pmtcon コマンドを実行してください。

(2) HTTP 接続ジョブを実行すると起動失敗となる

次の要因が考えられます。

- NFS などの、ネットワークを介したファイルシステムにマウントされたディレクトリを次に示す定義パラメーターで使用している場合
 - ジョブの標準出力ファイル名
 - ジョブの標準エラー出力ファイル名
 - 実行 OS ユーザーのホームディレクトリ

ネットワークにアクセスできないときは、ジョブの起動に失敗したりジョブの実行が遅延したりすることがあります。
- 統合トレースログに、メッセージ「KAVU4571-W エージェント (エージェントホスト名) でユーザーマッピング (ユーザー名) に失敗しました」が出力される場合

ジョブを実行するホストにユーザーマッピングが設定されていない、指定した JP1 ユーザーまたは実行ユーザーが登録されていないなど、ユーザーマッピングが正しく設定されていないおそれがあります。ユーザーマッピングの設定を確認し、ジョブを再実行 (再登録) してください。
- 統合トレースログに、メッセージ「KAVU4580-W エージェント (エージェントホスト名) にてユーザー (ユーザー名) に管理者権限がありません」が出力される場合 (Linux 限定)

ジョブの実行優先順位として 4 または 5 が指定されたジョブを、スーパーユーザー権限を持たない実行ユーザーで実行したおそれがあります。

Linux の場合、ジョブの実行優先順位として 4 または 5 を指定するときは、スーパーユーザー権限を持つ実行ユーザー (root ユーザー) でジョブを実行してください。

なお、Windows の場合は、ジョブの実行優先順位として 4 または 5 を指定しても、実行ユーザーの権限に Administrators 権限は不要です。
- 統合トレースログに、メッセージ「KAVU3586-W サービスのアカウントに必要な権限が設定されていません」、またはメッセージ「KAVU3571-W ユーザーマッピング (ユーザー名) に失敗しました」が出力される場合 (Windows 限定)

JP1/AJS3 のサービスのアカウントをユーザーアカウントに設定していないおそれがあります。さらに、そのユーザーアカウントに必要な権限を与えていないおそれがあります。

JP1/AJS3 のサービスのアカウントをユーザーアカウントに設定して、必要な権限を与えてください。JP1/AJS3 のサービスに対するアカウントの設定については、マニュアル「JP1/Automatic Job Management System 3 設計ガイド (システム構築編) 4.2 JP1/AJS3 のサービスの設定について検討する」を参照してください。なお JP1/AJS3 のサービスのアカウントを変更した場合は、JP1/AJS3 のサービスを再起動してください。
- 統合トレースログに、メッセージ「KAVU4531-W エージェント (エージェントホスト名) のホスト名に誤りがあると思われる」が出力される場合

エージェントのホスト名が不適切であるか、IP アドレスが解決できない名称であるおそれがあります。エージェントのホスト名が適切であること、または hosts ファイルなどを見直して IP アドレスが解決できる設定になっていることを確認してください。
- 統合トレースログに、メッセージ「KAVU4530-W エージェント (エージェントホスト名) が停止もしくは障害が発生したと思われる」が出力される場合

エージェント（ジョブ実行ホスト）の JP1/AJS3 サービスが停止していたり、マシン自体が停止していたり、ネットワークで障害が発生していたりするおそれがあります。

エージェント、JP1/AJS3 サービス、およびネットワークの状態を確認してください。

- 統合トレースログに、メッセージ「KAVU3521-W ジョブ（ジョブ番号）のプロセス生成に失敗しました」が出力される場合
メモリー不足のために、ジョブの起動に失敗しているおそれがあります。
メモリー容量の見積もりを確認してください。
- 統合トレースログに、メッセージ「KAVU4597-W エージェント（エージェントホスト名）で消失したジョブを強制終了します」や、メッセージ「KAVU4538-W エージェント（エージェントホスト名）で消失したジョブ（ジョブ番号）を回復状態（状態名）にします」が出力される場合
上記のメッセージが出力されるケースを次に示します。
 - JP1/AJS3 - Manager に実行中ジョブがある状態で、JP1/AJS3 - Manager ホストのダウン、または JP1/AJS3 プロセスのダウンが発生したあと、その JP1/AJS3 - Manager を再起動したケース。
 - リモートの実行ホスト（エージェント）に実行中のジョブがある状態で、実行ホストのダウン、または JP1/AJS3 プロセスのダウンが発生したあと、実行ホストの JP1/AJS3 を再起動したケース。
 - リモートの実行ホスト（エージェント）に実行中のジョブがある状態で、最初に JP1/AJS3 - Manager ホスト、次に実行ホストの順に停止したあと、JP1/AJS3 - Manager ホスト、および実行ホストを再起動したケース。

必要に応じて、ジョブネットまたはジョブを再実行登録してください。

- 統合トレースログに、メッセージ「KAVU4546-W エージェント（エージェントホスト名）でユーザーの環境変数PATHの取得に失敗しました」が出力される場合（Linux 限定）
実行 OS ユーザーのログインスクリプト内に、処理を途中で終了してしまう条件がないかどうかを確認してください。
ログインスクリプト内に、JP1/AJS3 によるジョブ実行に不要な記述がある場合、不要な記述を削除してください。または、環境変数JP1JobIDで不要な記述をスキップするようにしてください。
- 統合トレースログに、メッセージ「KAVU4548-W エージェント（エージェントホスト名）の一時作業用ファイルへのアクセスに失敗しました」、またはメッセージ「KAVU4583-W エージェント（エージェントホスト名）に実行シェルがありません」が出力される場合、JP1 ユーザーにマッピングする OS ユーザーが OS にログインできないおそれがあります。これらのメッセージが出力された場合は、メッセージごとに、次に示す項目を確認してください。
 - メッセージ KAVU4548-W が出力された場合
/etc/passwd に指定したホームディレクトリがあるかどうか。
 - メッセージ KAVU4583-W が出力された場合
/etc/passwd に指定したログインシェルがあるかどうか。
- 統合トレースログに、「KAVU7533-E JP1 ユーザー（論理ホスト名、ユーザー名）からユーザーマッピングした実行ユーザー（ユーザー名）は使用できません（要因番号：1326）」というメッセージが出

力される場合、Windows では、ジョブを実行する OS ユーザーのアクセストークンを取得できなかったおそれがあります。次の要因が考えられます。

- Win32API 関数の一時的エラーによって、アクセストークンを取得できなかった。
- ジョブの実行ユーザーがドメインユーザーの場合、ドメインコントローラーが起動していないなど、ドメインユーザーが一時的にログオンできる状態になっていなかった。

JP1/AJS3 では、ジョブ実行時にアクセストークンを取得しますが、ドメインコントローラーの数や状態を意識して動作していないため、ジョブの実行中にドメインコントローラーを再起動するような場合は注意してください。

なお、これらの一時的にアクセストークンを取得できないエラーの場合、アクセストークンを再利用する設定を行うことで、アクセストークンの取得の回数を最小限に減らし、エラーの発生頻度を抑えることができます。詳細については、マニュアル「JP1/Automatic Job Management System 3 構築ガイド 6.2.17 ジョブ実行時にアクセストークンを再利用するための設定」を参照してください。

また、アクセストークンを再利用した場合、デスクトップヒープの使用方法が変わります。

そのため、システム全体で十分に検証した上で適用してください。詳細については、マニュアル「JP1/Automatic Job Management System 3 構築ガイド 6.2.17(3) 注意事項」を参照してください。アクセストークンの詳細については、マニュアル「JP1/Automatic Job Management System 3 導入ガイド 5.4.1 ジョブ実行時のユーザーアカウント」も参照してください。

- 統合トレースログに、メッセージ「KAVU4721-E 要求が拒否されました(ジョブ番号)」が出力される場合

ジョブの実行先ホストの統合トレースログに出力されているメッセージ KAVU3296-E を確認してください。必要な IP アドレスをエージェント用接続許可設定ファイルに追加し、jajs_pmtcon コマンドを実行してください。

- 統合トレースログに、メッセージ「KAVS8029-E 要求が拒否されました(ユニット名)」が出力される場合

ジョブの実行先ホストの統合トレースログに出力されているメッセージ KAVS8039-E を確認してください。必要な IP アドレスをエージェント用接続許可設定ファイルに追加し、jajs_pmtcon コマンドを実行してください。

(3) 標準ジョブ、アクションジョブ、およびカスタムジョブを実行すると異常終了となる

次の要因が考えられます。

- ジョブ実行時に使用した環境変数が不適切であるおそれがあります（環境変数には、ジョブに直接定義した環境変数と、環境変数ファイルとして定義したファイル内に指定された環境変数があります）。マニュアル「JP1/Automatic Job Management System 3 コマンドリファレンス 1.4 環境変数一覧」を参照して、不適切な環境変数を使用していないか確認してください。
- ジョブに指定したファイル名が不適切であるおそれがあります。ファイル名について、次の点を確認してください。

- ジョブ実行ファイル名 (Windows の場合は実行ファイル名, UNIX の場合はスクリプトファイル名), 環境変数ファイル名, 標準入力ファイル名, 標準出力ファイル名・標準エラー出力ファイル名が重複していないこと (標準出力ファイル名と標準エラー出力ファイル名だけは, 重複していてもかまいません)。
- 同時に実行するジョブについて, 標準出力ファイル名と標準エラー出力ファイル名が重複していないこと。
- ジョブに指定した実行ファイル内の処理で, 標準出力・標準エラー出力のリダイレクト先が競合しているおそれがあります。次の点を確認してください。
 - ジョブに指定した標準出力ファイルまたは標準エラー出力ファイルが, 実行ファイルに指定した標準出力・標準エラー出力のリダイレクト先のファイルと重複していないこと。
 - 実行ファイルを指定したジョブを複数同時に実行した場合, 実行ファイルに指定した標準出力・標準エラー出力のリダイレクト先のファイル名が, 同一のファイル名とならないこと。
- 「/etc/loggingroup」の設定が不適切であるおそれがあります (実行ホストが HP-UX の場合)。

ジョブを実行する OS ユーザーが複数のグループに属し, かつ, 複数のグループへのアクセスを有効にする場合は, 「/etc/loggingroup」の設定が必要です。「/etc/loggingroup」を設定していない場合, 「/etc/passwd」で定義されているグループ ID だけが有効になり, 定義されていないグループ ID は無効になります。具体的には, jpluser という OS ユーザーが複数のグループ (第 1 グループとして A グループ, 第 2 グループとしてグループ B) に属しているにもかかわらず, グループ B のファイルを参照できないなどの不具合が発生します。複数のグループへのアクセスを有効にするには, 「/etc/group」のグループ定義を「/etc/loggingroup」にコピーするか, または「/etc/group」と「/etc/loggingroup」にシンボリックリンクを設定してください。詳細については, OS のドキュメントを参照してください。
- 次に示すコマンドが正常に動作しないおそれがあります (実行ホストが Windows の場合)。
 - **net use** コマンドを使用したジョブの実行時に, ネットワークフォルダの切断ができない場合
2とおりの対処方法を示します。

一つ目の対処方法として, 一つのバッチファイル中に**net use** コマンドを指定し, ネットワークフォルダを接続・切断するようにしてください。

二つ目の対処方法として, JP1/AJS3 のサービスのアカウントをユーザーアカウントにして, **net use** コマンドを使用したジョブをサービスのアカウントと同じアカウントで実行してください。JP1/AJS3 のサービスのアカウントのユーザーアカウントへの変更については, マニュアル「JP1/Automatic Job Management System 3 設計ガイド (システム構築編) 4.2.3 JP1/AJS3 のサービスの設定を変更する必要がある場合 (Windows 限定)」も参照してください。
 - **ftp** コマンドを使用したジョブの実行時に, 標準出力データが出力されない場合
2とおりの対処方法を示します。

一つ目の対処方法として, **ftp** コマンドに**-v** オプションを指定してください。

二つ目の対処方法として, ジョブ定義時に標準入力ファイル名, 標準出力ファイル名, および標準エラー出力ファイル名に「CON」を指定してください。「CON」を指定すると, 標準出力ファイル, および標準エラー出力ファイルにはデータが出力されます。ただし, JP1/AJS3 - View でジョブの実行結果の詳細を表示したとき, ジョブの標準エラー出力メッセージが出力されなくなります。また,

jpqjobget コマンドで標準出力ファイルおよび標準エラー出力ファイルの情報が取得できなくなります。

注意事項

ftp コマンド使用時以外で同様の現象が発生した場合も、「CON」を指定する方法で対処してください。

- 上記以外のコマンドを使用したジョブの実行時に、ジョブが正しく動作しない場合
JP1/AJS3 のジョブは、OS ユーザーが Windows にログオンしていない状態でも実行できるように、OS ユーザーのログオンセッションとは独立した「サービス」と呼ばれる形態で実行されます。このため、JP1/AJS3 を使ってジョブを実行した場合と、コマンドプロンプトを使ってジョブを実行した場合とで、ジョブの実行結果が異なることがあります。

Windows が提供する AT コマンド、または [タスクスケジューラ] を使用すると、ジョブがサービスから正しく実行できるかどうかを検証することができます（このとき、Windows の Schedule サービスまたは Task Scheduler サービスがジョブを起動します）。Windows のサービスからジョブが正しく動作しない場合は、JP1/AJS3 のサービスからもジョブは正しく動作しません。その際は、ジョブで使用しているコマンドやプログラムを見直す必要があります。

ブラウザに IE 4.0 以降を使用している場合の検証手順を示します。

IE 4.0 以降を使用している場合

1. Windows の Task Scheduler サービスに対して、Windows の [サービス] ダイアログボックスで、[デスクトップとの対話をサービスに許可] がチェックされていない状態にする。
2. Task Scheduler サービスを再起動する。
3. デスクトップ上にある [マイコンピュータ] アイコンをクリックし、[予定されているタスク] フォルダを開く。
4. ウィザードを使ってタスクを設定する。
タスク設定時は、実行するジョブ、および実行ユーザーのアカウントを設定してください。
5. ジョブの実行結果を確認する。

なお、Schedule サービス、Task Scheduler サービス、および JP1/AJS3 サービスでは、ジョブのプロセスの生成方法が若干異なります。そのため、JP1/AJS3 を使うと正しく動作しないジョブも、Windows のサービスを使えば正しく動作する場合があります。例えば、JP1/AJS3 では、OS ユーザーのログオンセッションに設定されたプリンタやアプリケーションに関する情報で、かつ、レジストリーに格納されている情報については、例えその OS ユーザーのアカウントをジョブの実行ユーザーに設定しても、参照できないことがあります（ジョブからのプリンタへの印刷やアプリケーションの起動などが正しく動作しないことがあります）。この現象が発生した場合は、ジョブを実行する OS ユーザーで Windows (JP1/AJS3 の実行ホスト) にログオンし、その状態で運用してください。または、マニュアル「JP1/Automatic Job Management System 3 構築ガイド 6.2.16 ユーザープロファイルを必要とするジョブを実行するための設定」を参照して、設定をしてください。

また、実行ユーザーのアクセス権をローカルサーバのユーザーに限定させたい場合は、OS ユーザーの指定方法を「**サーバ名¥ユーザー名**」としてください。

- メモリー不足のために、ジョブの起動に失敗しているおそれがあります。
メモリー容量の見積もりを確認してください。
- 統合トレースログに、次のメッセージが出力されている場合 (Windows 限定)

- 「KAVU4254-E データベース（論理ホスト名）にアクセスできません（要因箇所）」
- 「KAVU5287-E データベーステーブルがロックされています（要因箇所）」

これは、QUEUE ジョブ、サブミットジョブの実行時にジョブ実行環境の ISAM ファイルにアクセスできないために発生するエラーです。次の事項を同時に実行していないかどうか確認してください。

- JP1/AJS3 の資料採取ツールを実行している。
- JP1/Base または JP1/AJS3 の ISAM データベースの検証やコンデンスなど ISAM データベースを操作するコマンドを実行している（jpbdbcond -L コマンドは含まない）。
- バックアッププログラムを実行している。

上記のほかにも、QUEUE ジョブ、サブミットジョブのジョブ実行環境のデータベースファイルを占有モード、またはファイルの読み込みだけを共有するモードでオープンするようなプログラムを実行していると、このような現象が起こるおそれがあります。これらの作業をスケジュールする際は、ジョブの実行時間と重ならないように運用してください。

- 統合トレースログに、次のメッセージが出力されている場合（UNIX 限定）
 - 「KAVU4547-W エージェント（エージェントホスト名）の一時作業用ファイルに対してアクセス権がありません」
 - 「KAVU4560-W エージェント（エージェントホスト名）の標準出力ファイル（ファイル名）に対してアクセス権がありません」
 - 「KAVU4563-W エージェント（エージェントホスト名）の標準エラー出力ファイル（ファイル名）に対してアクセス権がありません」

メッセージ KAVU4547-W が出力されている場合は、ワークディレクトリの所有グループがジョブ実行ユーザーのセカンダリーグループで、かつワークディレクトリの権限が「770」であるおそれがあります（ワークディレクトリは、定義キー[JP1_DEFAULT¥JP1NBQAGENT¥Process]の環境設定パラメーター WorkPath に指定したディレクトリになります）。

また、メッセージ KAVU4560-W、KAVU4563-W が出力されている場合は、指定したファイル（上記のメッセージ中のファイル名）があるディレクトリの所有グループがジョブ実行ユーザーのセカンダリーグループで、ディレクトリの権限が「770」であるおそれがあります。

次に示す方法のどれかで対処してください。

- メッセージ KAVU4547-W が出力されている場合は、ワークディレクトリに対してセカンダリーグループでもアクセスできる権限に変更する。
- 指定したファイルがあるディレクトリの権限をセカンダリーグループでもアクセスできる権限に変更し、かつ指定したファイルの権限をセカンダリーグループでも読み込み、書き込みができる権限に変更する。
- ディレクトリおよび指定したファイルの所有グループをジョブ実行ユーザーのセカンダリーグループからプライマリーグループに変更する。
- マニュアル「JP1/Automatic Job Management System 3 構築ガイド 15.2.18 ジョブ実行時のファイル権限チェックでアクセス制御リストやセカンダリーグループの設定を有効にする」の設定に従い、オプションを有効にする。

- 統合トレースログに、メッセージ「KAVU4551-W エージェント (エージェントホスト名) の実行ファイル (ファイル名) に対してアクセス権がありません」が出力されている場合 (UNIX 限定)
指定した実行ファイル (上記のメッセージ中のファイル名) があるディレクトリの所有グループがジョブ実行ユーザーのセカンダリーグループで、かつ権限が「770」であるおそれがあります。
次に示す方法のどれかで対処してください。

- 指定したファイルがあるディレクトリの権限を「771」に変更し、かつ指定したファイルの権限を「774」に変更する。
 - ディレクトリおよび指定したファイルの所有グループをジョブ実行ユーザーのセカンダリーグループからプライマリーグループに変更する。
 - マニュアル「JP1/Automatic Job Management System 3 構築ガイド 15.2.18 ジョブ実行時のファイル権限チェックでアクセス制御リストやセカンダリーグループの設定を有効にする」の設定に従い、オプションを有効にする。
- ジョブの実行ファイル名を正しく求められない場合があります。

UNIX の場合

スクリプトファイル内で「\$0」(スクリプトファイル名)を参照する場合、「\$0」がジョブの定義に指定したスクリプトファイル名にならず、「JPQ_EXEC_」から始まるスクリプトファイル名になる場合があります。

このファイル名は、次の場合のどれかに JP1/AJS3 が一時的に作成するスクリプトファイル名です (スクリプトファイルはジョブ実行時に使用するワークパスに作成します)。

- JP1/AJS3 - View の [詳細定義 - [UNIX Job]] ダイアログボックスの [定義] タブで、[コマンド文] にコマンドを指定したジョブを実行する。
- JP1/AJS3 - View の [詳細定義 - [UNIX Job]] ダイアログボックスの [定義] タブで、[スクリプトファイル名] に#! [シェル名] を先頭行に記述していないスクリプトファイル名を指定して実行する。*
- jpqjobsub コマンドの -sc オプションに、#! [シェル名] を先頭行に記述していないスクリプトファイル名を指定して実行する。

注※

[スクリプトファイル名] に指定したスクリプトファイルの先頭行に実行シェル名の記述がない場合、先頭行に実行シェル名を付加したスクリプトファイルを一時的に作成し、ジョブとして実行します。

[コマンド文] と [スクリプトファイル名] を同時に指定した場合、[コマンド文] と [スクリプトファイル名] の内容をコマンド文、スクリプトファイルの内容の順でマージした一時ファイルを作成します。このため、[コマンド文] の記述がある場合は、スクリプトファイルの実行シェル名の記述の有無にかかわらず、一時ファイルを作成します ([コマンド文] 欄にタブやスペースがある場合にも一時ファイルを作成します)。

一時的なスクリプトファイルを作成しないようにするには、これらの条件に該当しないようにジョブを定義してください。

Windows の場合

Windows の実行ファイル内で第 1 引数（バッチファイルの場合は「%0」）を参照する場合、第 1 引数がジョブの定義に指定した実行ファイル名にならない場合があります。これは、JP1/AJS3 がジョブを起動するときに実行ファイル名を 8.3 形式のショートファイル名に変換するためです。

実行ファイル名の変換を行わないでジョブを起動する場合には、マニュアル「JP1/Automatic Job Management System 3 構築ガイド 6.2.15 ジョブをロングファイル名で実行するための設定」を参照してください。

- 統合トレースログに、次のメッセージが出力されている場合（Windows 限定）
 - 「KAVU7533-E JP1 ユーザー（論理ホスト名, ユーザー名）からユーザーマッピングした実行ユーザー（ユーザー名）は使用できません（要因番号:1792）」

JP1/AJS3 サービスのアカウントと異なるユーザーアカウントでジョブを実行しているときに、Net Logon サービスが起動されていない場合、このメッセージが出力されてジョブが異常終了することがあります。このメッセージが出力されたときは、Net Logon サービスが起動されているかどうかを確認してください。

- 次のどちらかでジョブが異常終了した場合（Windows 限定）
 - 次のメッセージを出力してジョブが終了コード 259 または -1 で異常終了する。
「KAVU3284-W 内部処理（論理ホスト名）でシステムコールエラーが発生しました（要因箇所：要因箇所, 要因番号：0x2013000a）」
 - ジョブの標準エラー出力に次のメッセージを出力してジョブが異常終了する。
「プロセスはファイルにアクセスできません。別のプロセスが使用中です。」

これらは次の条件が重なる場合に発生することがあります。

1. 次のどちらかの方法でジョブを登録する際に、標準出力ファイル、または標準エラー出力ファイルを明示的に指定する。
 - ジョブの詳細定義で指定する。
 - ジョブ実行制御のコマンドでジョブを登録する際に指定する。
2. 1. で指定したファイルに対して次のどちらかの処理をしている。
 - ジョブとして実行するプログラム内で、関数を使用してオープンしている。その際、オブジェクトの共有方法を読み取り不可または、書き込み不可の設定にしている。
 - ジョブとして実行するバッチファイル内で、リダイレクトを使用してオープンしている。

ジョブとして実行するプログラム内でオープンするファイル、またはバッチファイル内のリダイレクトでオープンするファイルを、ジョブを登録する際の標準出力ファイル、または標準エラー出力ファイルとして指定しないでください。ただし、プログラム内で関数を使用してオープンする場合に限って、共有の読み取りまたは共有の書き込みを許可する設定でオープンすることで回避することもできます。

- 統合トレースログに、次のどちらかのメッセージが出力されている場合
 - 「KAVU5501-E System error occurred ...」
 - 「KAVU5290-E データベースのファイルサイズが制限値を超えているかメモリーの確保に失敗しました（要因箇所, 要因番号）」

ISAM ファイルが不正な状態になっているおそれがあります。

次のことを行っているとこれらのエラーが発生することがあります。

- JP1/AJS3 サービスを停止しない状態で、強制的なシャットダウン操作や電源断を行う。
- ディスク容量不足が発生している状態で ISAM ファイルへの書き込みを行う。

ISAM ファイルの状態を確認し、不正な状態になっている場合は ISAM ファイルを再作成してください。ISAM ファイルの状態確認、ISAM ファイルの再作成の手順については、「[2.11 ISAM ファイルが不正になった場合の対処](#)」を参照してください。

- AIX または Linux の実行ホストでジョブを実行したとき、ジョブの実行ユーザーに設定したリソースの制限値が有効にならないで、リソース不足でジョブが異常終了することがあります。

AIX および Linux の場合、ジョブの実行ユーザーに対して、`/etc/security/limits` (Linux の場合は `/etc/security/limits.conf`) でリソースの制限値の定義をしても、ジョブ実行時に値は有効になりません。JP1/AJS3 起動時のユーザー (root) に対してリソース制限値を定義してください。

詳細については、マニュアル「JP1/Automatic Job Management System 3 設計ガイド (業務設計編) 7.4 UNIX ジョブ使用時の注意事項」の「[●UNIX ジョブ実行時のリソース制限値についての注意事項](#)」を参照してください。

- 統合トレースログに、次のメッセージが出力されている場合
 - 「KAVU2251-E SSL 通信処理でエラーが発生しました(論理ホスト名, 接続先ホスト名, 保守情報)」
マネージャーホストとエージェントホストで通信暗号化機能の有効・無効が異なっています。JP1/AJS3 サービスを停止して、通信暗号化機能の有効・無効を一致させてから、JP1/AJS3 サービスを再起動してください。

(4) HTTP 接続ジョブを実行すると異常終了となる

次の要因が考えられます。

- ジョブに指定したファイル名が不適切であるおそれがあります。
ファイル名について、次の点を確認してください。
 - 同時に実行するジョブについて、標準出力ファイル名と標準エラー出力ファイル名が重複していないこと。
- メモリー不足のために、ジョブの起動に失敗しているおそれがあります。
メモリー容量の見積もりを確認してください。
- 統合トレースログに、次のメッセージが出力されている場合 (Linux 限定)
 - 「KAVU4547-W エージェント (エージェントホスト名) の一時作業用ファイルに対してアクセス権がありません」
 - 「KAVU4560-W エージェント (エージェントホスト名) の標準出力ファイル (ファイル名) に対してアクセス権がありません」
 - 「KAVU4563-W エージェント (エージェントホスト名) の標準エラー出力ファイル (ファイル名) に対してアクセス権がありません」

メッセージ KAVU4547-W が出力されている場合は、ワークディレクトリの所有グループがジョブ実行ユーザーのセカンダリーグループで、かつワークディレクトリの権限が「770」であるおそれがあります（ワークディレクトリは、定義キー[JP1_DEFAULT¥JP1NBQAGENT¥Process]の環境設定パラメーター WorkPath に指定したディレクトリになります）。

また、メッセージ KAVU4560-W, KAVU4563-W が出力されている場合は、指定したファイル（上記のメッセージ中のファイル名）があるディレクトリの所有グループがジョブ実行ユーザーのセカンダリーグループで、ディレクトリの権限が「770」であるおそれがあります。

次に示す方法のどれかで対処してください。

- メッセージ KAVU4547-W が出力されている場合は、ワークディレクトリに対してセカンダリーグループでもアクセスできる権限に変更する。
- 指定したファイルがあるディレクトリの権限をセカンダリーグループでもアクセスできる権限に変更し、かつ指定したファイルの権限をセカンダリーグループでも読み込み、書き込みができる権限に変更する。
- ディレクトリおよび指定したファイルの所有グループをジョブ実行ユーザーのセカンダリーグループからプライマリーグループに変更する。
- マニュアル「JP1/Automatic Job Management System 3 構築ガイド 15.2.18 ジョブ実行時のファイル権限チェックでアクセス制御リストやセカンダリーグループの設定を有効にする」の設定に従い、オプションを有効にする。
- 統合トレースログに、次のメッセージが出力されている場合（Windows 限定）
 - 「KAVU7533-E JP1 ユーザー（論理ホスト名, ユーザー名）からユーザーマッピングした実行ユーザー（ユーザー名）は使用できません（要因番号:1792）」

JP1/AJS3 サービスのアカウントと異なるユーザーアカウントでジョブを実行しているときに、Net Logon サービスが起動されていない場合、このメッセージが出力されてジョブが異常終了することがあります。このメッセージが出力されたときは、Net Logon サービスが起動されているかどうかを確認してください。

- Linux の実行ホストでジョブを実行したとき、ジョブの実行ユーザーに設定したリソースの制限値が有効にならないで、リソース不足でジョブが異常終了することがあります。

Linux の場合、ジョブの実行ユーザーに対して、/etc/security/limits.conf でリソースの制限値の定義をしても、ジョブ実行時に値は有効になりません。JP1/AJS3 起動時のユーザー（root）に対してリソース制限値を定義してください。

詳細については、マニュアル「JP1/Automatic Job Management System 3 設計ガイド（業務設計編） 7.9 HTTP 接続ジョブ使用時の注意事項」の「ジョブ実行時のリソース制限値についての注意事項」を参照してください。

- 統合トレースログに、次のメッセージが出力されている場合
 - 「KAVU2251-E SSL 通信処理でエラーが発生しました(論理ホスト名, 接続先ホスト名, 保守情報)」マネージャーホストとエージェントホストで通信暗号化機能の有効・無効が異なります。JP1/AJS3 サービスを停止して、通信暗号化機能の有効・無効を一致させてから、JP1/AJS3 サービスを再起動してください。

(5) 標準ジョブ, HTTP 接続ジョブ, アクションジョブ, およびカスタムジョブの状態が変化しない

次の要因が考えられます。

- 統合トレースログに、メッセージ「KAVU3531-W マネージャー (論理ホスト名) のホスト名に誤りがあると思われます」が出力される場合
マネージャーのホスト名が不適切であるか、または IP アドレスが解決できない名称であるおそれがあります。
マネージャーのホスト名が適切であること、または hosts ファイルなどを見直して IP アドレスが解決できる設定になっていることを確認してください。DNS 運用をしている場合は、FQDN 形式のホスト名が IP アドレス解決できるように設定してください。
- 現在の実行ジョブ数がジョブ実行多重度に達しているおそれがあります。
ajsagtshow コマンドを実行し、現在の実行ジョブ数 (JOB) と、ジョブ実行多重度 (CON-EXE) を確認してください。
ジョブの実行時間、単位時間当たりのジョブ実行数を考慮したジョブ実行多重度を設定するようにしてください。ジョブ実行多重度を変更する場合は、ajsagtalt コマンドを使用してください。
ajsagtshow コマンドについては、マニュアル「JP1/Automatic Job Management System 3 コマンドリファレンス 3. 通常の運用で使用するコマンド ajsagtshow」を参照してください。
また、ジョブ実行多重度に達しているためにジョブが登録できない場合に、統合トレースログにメッセージを出力するようにあらかじめ設定しておくことで、ジョブの実行に時間が掛かった要因がジョブ実行多重度到達であるかどうかを確認できます。設定方法については、マニュアル「JP1/Automatic Job Management System 3 構築ガイド 6.2.13 ジョブ実行多重度到達を確認するメッセージを出力する設定」(Windows の場合) またはマニュアル「JP1/Automatic Job Management System 3 構築ガイド 15.2.13 ジョブ実行多重度到達を確認するメッセージを出力する設定」(UNIX の場合) を参照してください。
- JP1/AJS3 の運用中に、バックアッププログラムを実行して、JP1/AJS3 で使用しているファイル、またはディレクトリをバックアップしているおそれがあります。
JP1/AJS3 の運用中は、バックアップしないでください。
- キューレスジョブ ([実行先サービス] に [キューレス] を指定した PC ジョブ, UNIX ジョブ, およびアクションジョブ) が実行待ちのまま、Windows イベントログまたは syslog に、メッセージ KAVS1922-W が出力されている場合、マネージャーホストとエージェントホストで通信暗号化機能の有効・無効が異なっているおそれがあります。JP1/AJS3 サービス、キューレスエージェントサービス、およびキューレスファイル転送サービスを停止して、通信暗号化機能の有効・無効を一致させてから、停止したサービスを再起動してください。

(6) 標準ジョブ, アクションジョブ, およびカスタムジョブを登録したりキューを操作したりするとアクセス権限エラーとなる

JP1/Base 認証サーバのアクセス権限の設定が不適切です。

JP1_Queue 資源グループに対して、正しいアクセス権限を設定してください。ジョブの登録やキューの操作などには、JP1_JPQ_Admin, JP1_JPQ_Operator, または JP1_JPQ_User のどれかの権限が必要です。

(7) シェルが環境変数を読み込まない (AIX 限定)

AIX では、`/etc/environment` の情報は引き継ぎません。

マニュアル「JP1/Automatic Job Management System 3 構築ガイド 13.4.2 ログインスクリプトの変更」の説明を参考に、ログインスクリプトを変更してください。ログインスクリプトの変更例を次に示します。

```
if [ "$JP1JobID" != "" ] ; then
  . /etc/environment
  export 設定したい環境変数
fi
```

`/etc/environment` を読み込んだあと、設定したい環境変数に対して `[export]` コマンドを実行してください。

注意事項

- 上記の設定は、sh, ksh (`.profile`) だけで有効です。その他の csh などでは無効です。
- 上記の設定をした場合、ログインスクリプトの中で `/etc/environment` を読み込むため、各情報の設定順序が変わってしまうおそれがあることを考慮する必要があります。このため、ログインスクリプトに `/etc/environment` の読み込みを追加する際は、`/etc/environment` で設定している環境変数をログインスクリプトでも設定している個所がないかを確認し、挿入個所に十分注意してください。ログインスクリプトの最初で `/etc/environment` を読み込むように変更することを推奨します。

(8) ジョブプロセスを実行しないままジョブが正常終了となる

UNIX の場合、JP1/AJS3 ではジョブ実行時に、ログインスクリプトを実行します。その際、次のようにログインスクリプトの中に、`exit` コマンドのようなログインスクリプトを終了するコマンドがあると、ジョブプロセスを実行する前にジョブが正常終了します。

```
/usr/bin/sh ; exit
```

このような場合は、`exit` コマンドを実行しないようにログインスクリプトを変更してください。

ログインスクリプトの変更方法については、マニュアル「JP1/Automatic Job Management System 3 構築ガイド 13.4.2 ログインスクリプトの変更」を参照してください。

(9) リトライ間隔を経過しても自動リトライが実行されない

ジョブ量が多く、自動リトライが遅延することが考えられます。ジョブネットのスケジュールを一時変更したり、実行中のユニットをいったん強制終了したりして、同時に実行されるジョブの量を減らしてください。

自動リトライを設定する場合、リトライ実行を含めたジョブ量を見積もる必要があります。詳細については、マニュアル「JP1/Automatic Job Management System 3 設計ガイド（システム構築編） 1.3 設計のポイント」を参照してください。

(10) 自動リトライが一度に実行され業務が遅延する

エージェントホストの障害などで、そのエージェントホストで実行されるジョブが同時に異常終了すると、自動リトライが一度に実行されてジョブ量が増えます。

自動リトライの実行でジョブ量が増えたために業務が遅延しているのを検知したら、ajsagtalt コマンドを実行して、障害が起きている実行エージェントのジョブ受付を制限してください。エージェントホストが復旧したら、再度ajsagtalt コマンドを実行してジョブ受付の制限を解除してください。

なお、すぐに回復できない障害が発生したときに自動リトライが発生すると、ジョブの実行数が増加してジョブ実行性能に影響を与えるおそれがあります。そのため、自動リトライの設定をする際には、終了コードの範囲を必要最小限で指定してください。自動リトライについては、マニュアル「JP1/Automatic Job Management System 3 設計ガイド（業務設計編） 2.4.13 ジョブの異常終了時に自動でリトライする」を参照してください。

2.6.3 アクションジョブのトラブルへの対処

アクションジョブ固有のトラブルの対処方法を次に示します。

(1) アクションジョブを実行すると起動失敗となる

アクションジョブに定義したプラットフォームが、アクションジョブを実行するエージェントのプラットフォームと同じであることを確認してください。プラットフォームが異なる場合は、アクションジョブに定義したプラットフォームを変更してください。

(2) アクションジョブを実行すると実行ホストで「DLL が見つかりません」などのエラーダイアログメッセージが出力される

メッセージキュー連携および MSMQ 連携のアクションジョブを実行するために必要なプログラムが、ジョブを実行するホストにインストールされていないおそれがあります。

実行するホストの環境が正しいことを確認してください。

(3) ローカル電源制御アクションジョブおよびリモート電源制御アクションジョブが異常終了する

JP1/Power Monitor がインストールされていないおそれがあります。

JP1/Power Monitor がインストールされていること、設定が正しいことを確認してください。

なお、JP1/Power Monitor がインストールされていない場合でも、JP1/Power Monitor 用のアクションジョブをジョブネットに定義できます。この場合、アクションジョブを実行したとき、ジョブネットの状態は「異常検出終了」となり、ジョブの状態は「起動失敗」となります。

2.6.4 イベントジョブのトラブルへの対処

イベントジョブ固有のトラブルの対処方法を次に示します。

(1) JP1 イベント受信監視時にホスト名を正しく指定しているのに条件が満了しない

JP1 イベント中のホスト名には、イベントサーバ名が設定されています。

そのイベントサーバ名がイベントサービスの定義と同じ名称であることを確認してください。JP1 イベント中のホスト名は、大文字・小文字が区別されるため注意してください。

(2) イベント受信ジョブ使用時に、予定していないイベントが条件一致となった

「JP1 イベント受信監視ジョブ」「ログファイル監視ジョブ」「Windows イベントログ監視ジョブ」の定義時には、次に示す項目に文字列を指定しています。

JP1 イベント受信監視ジョブ

- イベント発行元ユーザー名
- イベント発行元グループ名
- イベント発行元ホスト名
- メッセージ
- イベント詳細情報
- 任意の拡張属性

ログファイル監視ジョブ

- トラップデータ
- ログ情報以外のデータ

Windows イベントログ監視ジョブ

- 説明

上記の項目に指定された文字列は、部分一致で条件一致となります。指定した項目が部分一致していないかどうかを確認してください。

完全一致させたい場合は、正規表現で指定してください。例えば、「イベント発行元ホスト名」として「spring」を完全一致で条件一致としたい場合は、Windows の場合は「`^spring$`」と指定します。

Windows の正規表現については、マニュアル「JP1/Base 運用ガイド」を参照してください。UNIX の正規表現については、UNIX のドキュメントを参照してください。

(3) イベントジョブを実行すると起動失敗となる

- 統合トレースログに、メッセージ「KAVT0414-E 要求が拒否されました(AjsServiceName=スケジューラサービス名, UnitID=ユニット ID, ExecID=実行 ID, 保守情報)」が出力される場合
ジョブの実行先ホストの統合トレースログに出力されているメッセージ KAVT0992-E を確認してください。必要な IP アドレスをエージェント用接続許可設定ファイルに追加し、jajs_pmtcon コマンドを実行してください。

2.6.5 ジョブネットコネクタのトラブルへの対処

ジョブネットコネクタに関するトラブルの対処方法を次に示します。

(1) ジョブネットコネクタが終了しない

ジョブネットモニタなどで接続先のジョブネットの実行状況を確認してください。接続先のジョブネットが正常終了、異常検出終了、または警告検出終了になっている場合は、障害が発生しているおそれがあります。それ以外の場合、ジョブネットコネクタは接続先のジョブネットが終了するのを待つため、正常な状態です。

接続先のジョブネットの終了を待たないで実行を進めたい場合は、ジョブネットコネクタの状態を正常終了に変更してください。この場合、ジョブネットコネクタと接続先のジョブネットの状態が一致しなくなるため注意してください。

また、接続先のジョブネットが終了している場合は、統合トレースログ、および Windows イベントログまたは syslog に出力されているメッセージに従って、障害の要因を取り除いてください。次に、接続先のジョブネットを再実行してください。接続先のジョブネットを再実行することによって、再びジョブネットコネクタとの世代の接続が行われ、ジョブネットコネクタが正常に動作するようになります。世代の接続については、マニュアル「JP1/Automatic Job Management System 3 設計ガイド（業務設計編）2.2.4(2) ジョブネットコネクタと接続先のジョブネットの接続ルール」を参照してください。

接続先のジョブネットを再実行しないでジョブネットコネクタの実行を進めたい場合は、ジョブネットコネクタの状態を正常終了に変更してください。この場合、ジョブネットコネクタと接続先のジョブネットの状態が一致しなくなるため注意してください。

(2) 開始予定時刻を過ぎても接続先のジョブネットが開始しない

ジョブネットモニタなどで、ジョブネットコネクタが含まれるジョブネットの実行状況を確認してください。実行順序制御方式を「同期」としていて、ジョブネットコネクタが待ち状態の場合は正常ですが、実行中の状態の場合は障害が発生しているおそれがあります。

実行順序制御方式を「同期」としているが、ジョブネットコネクタの開始を待たないで接続先のジョブネットを実行開始する場合、実行順序制御方式を「非同期」に一時変更してください。

2.6.6 待ち合わせ条件付きユニットのトラブルへの対処

待ち合わせ条件付きユニットに関するトラブルの対処方法を次に示します。

(1) 待ち合わせ条件付きユニットが「先行終了待ち」または「開始時刻待ち」状態のまま実行を開始しない

[待ち合わせ条件の状態一覧] ウィンドウで、待ち合わせ対象ユニットの実行状態を確認してください。待ち合わせ対象ユニットの状態に従って、次のように対処してください。

待ち合わせ対象ユニットが実行中の場合

待ち合わせ条件付きユニットが待ち合わせ対象ユニットの実行終了を待ち合わせている状態です。待ち合わせ対象ユニットが実行終了するまで待ってください。

待ち合わせ対象ユニットが異常終了している場合

待ち合わせ対象ユニットに障害が発生しているおそれがあります。統合トレースログ、および Windows イベントログあるいは syslog に出力されているメッセージに従って、障害の要因を取り除いてください。障害の原因を取り除いたあと、待ち合わせ対象ユニットを再実行するか、待ち合わせ対象ユニットの状態を「正常終了」状態に変更してください。

待ち合わせ対象ユニットが未登録の場合

待ち合わせ対象ユニットを実行登録してください。

待ち合わせ対象ユニットがサスペンド中の場合

待ち合わせ対象ユニットのサスペンドを解除してください。

待ち合わせ対象ユニットに実行予定世代がない場合

待ち合わせ条件で、待ち合わせる世代がない場合の設定を「実行を開始しない」にしていると、待ち合わせ条件付きユニットは待ち合わせ対象ユニットに実行予定世代が生成されて実行終了するまで待ち続けます。待ち合わせ条件付きユニットを実行したい場合は、待ち合わせ対象ユニットに実行予定を作成してください。

待ち合わせ対象ユニットの実行終了を待たないで待ち合わせ条件付きユニットを実行したい場合は、待ち合わせ対象ユニットとの待ち合わせを一時的に無効にしてください。待ち合わせ条件の一時変更については、マニュアル「JP1/Automatic Job Management System 3 導入ガイド 4.5.15 ジョブネットやジョブの待ち合わせ条件の設定を一時変更する」を参照してください。

(2) 待ち合わせ条件付きユニットが実行を開始しないで異常終了する

[待ち合わせ条件の状態一覧] ウィンドウで、待ち合わせ条件付きユニットおよび待ち合わせ対象ユニットを確認してください。

待ち合わせ対象ユニットが実行終了しているのに待ち合わせ条件付きユニットが異常終了する場合は、待ち合わせ対象ユニットが定義不正であるおそれがあります。待ち合わせ対象ユニットの定義不正については、マニュアル「JP1/Automatic Job Management System 3 設計ガイド（業務設計編） 2.2.5(7) 待ち合わせ対象ユニットの確認方法」を参照してください。

待ち合わせ対象ユニットが定義不正である場合は、次の手順に従って対処してください。

1. 待ち合わせ対象ユニットの定義不正を修正する。
2. 待ち合わせ対象ユニットを再実行する。
3. 待ち合わせ対象ユニットが「実行中」状態の間に、待ち合わせ条件付きユニットを再実行する。

待ち合わせ条件付きユニットだけを再実行したい場合は、待ち合わせ対象ユニットとの待ち合わせを一時的に無効にしたあとで、待ち合わせ条件付きユニットを再実行してください。待ち合わせ条件の一時変更については、マニュアル「JP1/Automatic Job Management System 3 導入ガイド 4.5.15 ジョブネットやジョブの待ち合わせ条件の設定を一時変更する」を参照してください。

2.6.7 ロードバランサーでジョブを振り分ける場合のフレキシブルジョブのトラブルへの対処

ロードバランサーでジョブを振り分ける場合のフレキシブルジョブのトラブルの対処方法を次に示します。

(1) 監視終了時間になるとフレキシブルジョブの状態が実行中から異常検出終了になる

次の要因が考えられます。

- 次に示すネットワーク設定の不備や通信エラーなどで、ジョブの実行結果が宛先エージェントから返却されなかったおそれがあります。
 - ロードバランサーのセキュリティ設定に誤りがある
 - ファイアウォールの設定に誤りがある
 - 名前解決に失敗した
- 宛先エージェントでジョブ実行中に、ロードバランサーがダウンしたおそれがあります。
- 宛先エージェントでジョブ実行中に、スケールインで宛先エージェントが削除されたおそれがあります。
- 宛先エージェントでジョブ実行中に、宛先エージェントがダウンしたおそれがあります。
- 宛先エージェントでジョブ実行中に、マネージャーホストでフェールオーバーが発生し、かつ JP1/AJS3 Autonomous Agent Messenger サービス起動前に宛先エージェントから実行結果の通知が届いたおそれがあります。

次のとおり対処してください。

1. ロードバランサーを使用している場合は、ロードバランサーが起動していること、およびネットワークの設定に不備がないことを確認する。
2. ユーザープログラムの実行結果を参照して対処する。

(2) フレキシブルジョブの状態が強制終了になる

次の要因が考えられます。

- 宛先エージェントでジョブ実行中に、中継エージェントがダウンしたおそれがあります。
- 宛先エージェントでジョブ実行中に、中継エージェントでフェールオーバーが発生したおそれがあります。
- 宛先エージェントでジョブ実行中にマネージャーホストがダウンしたおそれがあります。

次のとおり対処してください。

1. 中継エージェントおよびマネージャーホストで、必要なサービスが起動していることを確認する。
2. ユーザープログラムの実行結果を参照して対処する。

(3) ユーザープログラムが異常終了する

戻り値および標準エラー出力の内容を確認して、必要に応じてフレキシブルジョブを再実行してください。

(4) フレキシブルジョブの状態が起動失敗になる

次の要因が考えられます。

- 中継エージェントの指定に誤りがあるおそれがあります。
- 中継エージェントで接続元制限機能を設定していて、接続が拒否されたおそれがあります。

出力されたメッセージに従って、障害の要因を取り除いてください。

2.6.8 一斉実行する場合のフレキシブルジョブのトラブルへの対処

一斉実行したフレキシブルジョブのトラブルへの対処方法を次に示します。

(1) 一斉実行したフレキシブルジョブが異常終了する

一斉実行の方式が同期モードの場合と非同期モードの場合で、考えられる原因とその対処方法が異なります。一斉実行の方式に従って、次のように対処してください。

同期モードの場合

ジョブの実行結果に、宛先エージェントごとの標準エラー出力の内容が表示されたかどうかで、次のとおり対処してください。

- ジョブの実行結果に、宛先エージェントごとの標準エラー出力の内容が表示されたときは、宛先エージェントのどれかで問題が発生したおそれがあります。フレキシブルジョブの一斉実行では、問題が発生した宛先エージェントが一つ以上あると、ジョブの状態は異常検出終了になります。宛先エージェントごとに出力された内容を確認し、対処してください。
- ジョブの実行結果に、宛先エージェントごとの標準エラー出力の内容が表示されないときは、中継エージェント（中継しない場合はマネージャー）または一斉配信エージェントで問題が発生したおそれがあります。出力されたメッセージに従って、中継エージェント（中継しない場合はマネージャー）または一斉配信エージェントで対処してください。

非同期モードの場合

メッセージ KAVS8100-E の「保守情報 4」に宛先エージェントのホスト名が出力されたかどうかで、次のとおり対処してください。

- メッセージ KAVS8100-E の「保守情報 4」に宛先エージェントのホスト名が出力されたときは、一斉配信エージェントから宛先エージェントへの実行要求の送信に失敗したおそれがあります。一斉配信エージェントから、「保守情報 4」に出力された宛先エージェントへの通信ができるように対処してください。
- メッセージ KAVS8100-E の「保守情報 4」に宛先エージェントのホスト名ではない情報が出力されたときは、中継エージェント（中継しない場合はマネージャー）と一斉配信エージェントの通信に失敗しています。中継エージェント（中継しない場合はマネージャー）から一斉配信エージェントへの通信ができるように対処してください。

(2) 一斉実行の宛先エージェントでジョブが実行されない

一斉実行の宛先エージェントでジョブが実行されない場合に考えられる原因と、その対処方法を次に示します。

- 宛先エージェントとしてセットアップされていない
ジョブが実行されない宛先エージェントで `ajsfxbstatus` コマンドを実行し、一斉配信エージェントが正しく設定されているかどうかを確認してください。設定されていないときは、`ajsatsetup` コマンドで設定してください。
- JP1/AJS3 Autonomous Agent サービスが起動していない
ジョブが実行されない宛先エージェントで JP1/AJS3 Autonomous Agent サービスが起動しているかどうかを確認してください。起動していないときは、サービスを起動してください。
- 一斉配信エージェントと通信できない
ジョブが実行されない宛先エージェントで、統合トレースログにメッセージ KAVS8146-E が出力されているかどうかを確認してください。出力されているときは、一斉配信エージェントとの通信に失敗しています。ファイアウォールなどの通信環境を見直してください。

(3) 存在しない宛先エージェントに対してフレキシブルジョブの一斉実行要求が行われる

スケールインなどで削除された宛先エージェントに対してフレキシブルジョブの一斉実行をしようとする
と、メッセージ KAVS8100-E が出力されることがあります。フレキシブルジョブの一斉実行では、生存
通知を送信しなくなった宛先エージェントが一斉配信の管理対象から削除されるまで、デフォルトで 60
分掛かります。そのため、スケールインなどで宛先エージェントが削除された場合、削除されてから 60
分が経過してからフレキシブルジョブを一斉実行してください。

なお、宛先エージェントを管理対象から削除するまでの時間は、環境設定パラメーター
FXBC_MANAGEDAGT_REMOVEDTIME で変更できます。環境設定パラメーターFXBC_MANAGEDAGT_REMOVEDTIME につ
いては、「JP1/Automatic Job Management System 3 構築ガイド 20.9.2(7)
FXBC_MANAGEDAGT_REMOVEDTIME」を参照してください。

2.7 組み込み DB 使用時のトラブルの対処

この節では、組み込み DB 使用時にトラブルが発生したときの対象方法について説明します。

2.7.1 トラブルが起こったときの組み込み DB の処理と組み込み DB システム管理者の処置

トラブルが起こったときの組み込み DB の処理と組み込み DB システム管理者（システム管理者）の処置について説明します。

(1) トラブルが起こったときに組み込み DB システム管理者がすること

トラブルが起こった場合、組み込み DB システム管理者は次の個所にトラブルシュート情報が出力されるので、情報を採取します。

Windows の場合

- 組み込み DB 運用ディレクトリ¥spool 下のファイル
- 組み込み DB 運用ディレクトリ¥tmp 下のファイル
- 組み込み DB 運用ディレクトリ¥uxpldir 下のファイル
- Windows イベントログ

UNIX の場合

- 組み込み DB 運用ディレクトリ/spool 下のファイル
- 組み込み DB 運用ディレクトリ/tmp 下のファイル
- syslog

備考

トラブルシュートに必要な情報を「[2.7.7 採取が必要な情報](#)」に記載してあります。組み込み DB システム管理者は必ず参照してください。

(2) トラブルが起こったときに組み込み DB が取得する情報

トラブルが起こったときに組み込み DB が取得するトラブルシュート情報を次の表に示します。

表 2-3 トラブルが起こったときに組み込み DB が取得するトラブルシュート情報

取得情報	説明
メッセージログファイル Windows の場合 組み込み DB 運用ディレクトリ¥spool ¥pdlog1,pdlog2	組み込み DB が出力するメッセージです。トラブル時には、バックアップを取得してください。

取得情報	説明
UNIX の場合 組み込み DB 運用ディレクトリ/spool/ pdlog1,pdlog2	組み込み DB が出力するメッセージです。トラブル時には、バックアップを取得してください。
コマンド実行時の標準出力, 標準エラー出力	コマンドの出力情報, およびエラーメッセージです。コマンドを入力した画面に表示されます。ファイルに残したい場合は, 必要に応じてリダイレクトしてください。
Windows の場合 Windows イベントログ UNIX の場合 syslog	組み込み DB が出力するメッセージです。 UNIX の場合は, OS のエディターで参照してください。syslog へのアクセスが集中すると, メッセージを出力できない場合があります。
退避コアファイル※ (UNIX の場合) 組み込み DB 運用ディレクトリ/spool/save/ファイル名	UNIX の場合に取得される, 組み込み DB の関連プロセスのデータ, およびスタック情報です。3 個までしか退避されないのので, 残しておきたい退避コアファイルは, バックアップを取得してください。 ファイル名の形式は「ajs2n」となります。n は退避コアファイルの通し番号 (1~3) です。ただし, 通し番号は付けられないことがあります。
アボート情報ファイル※ Windows の場合 組み込み DB 運用ディレクトリ¥spool¥save¥ファイル名 UNIX の場合 組み込み DB 運用ディレクトリ/spool/save/ファイル名	アボート情報です。出力された場合は, バックアップを取得してください。アボートコードだけなら任意のテキストエディターで参照できます。ファイル名の形式は「abcode. サーバプロセスのプロセス ID」となります。
トラブル時のスナップ※ Windows の場合 組み込み DB 運用ディレクトリ¥spool¥save¥ファイル名 UNIX の場合 組み込み DB 運用ディレクトリ/spool/save/ファイル名	トラブル時のスナップ情報です。出力された場合は, バックアップを取得してください。ファイル名の形式は「ajs2n. deb」となります。n はトラブル時のスナップの通し番号 (1~3) です。ただし, 通し番号は付けられないことがあります。
共有メモリーダンプファイル※ Windows の場合 組み込み DB 運用ディレクトリ¥spool¥pdshmdump¥ファイル名 UNIX の場合 組み込み DB 運用ディレクトリ/spool/ pdshmdump/ファイル名	組み込み DB が共有メモリーに保持するデータです。出力された場合は, バックアップを取得してください。ファイル名の形式は「ajs2. rmb. サーバプロセスのプロセス ID」となります。
簡易ダンプファイル※ Windows の場合 組み込み DB 運用ディレクトリ¥spool¥各サーバ対応のディレクトリ¥ファイル名	組み込み DB が共有メモリーおよびプロセス固有メモリーに保持するデータです。出力された場合は, バックアップを取得してください。ファイル名は日付とプロセス ID を組み合わせた形式になります。

取得情報	説明
UNIX の場合 組み込み DB 運用ディレクトリ/spool/各サーバ 対応のディレクトリ/ファイル名	組み込み DB が共有メモリーおよびプロセス固有メモリーに保持するデータです。出力された場合は、バックアップを取得してください。ファイル名は日付とプロセス ID を組み合わせた形式になります。
コマンドトレースファイル Windows の場合 組み込み DB 運用ディレクトリ%spool %cmdlog1,cmdlog2 UNIX の場合 組み込み DB 運用ディレクトリ/spool/ cmdlog1,cmdlog2	実行したコマンド（組み込み DB が内部で生成するコマンドも含む）の履歴情報です。任意のテキストエディターで参照するときは、バックアップを取得してください。
エラーログファイル Windows の場合 組み込み DB 運用ディレクトリ%spool%errlog %errlog1,errlog2 UNIX の場合 組み込み DB 運用ディレクトリ/spool/errlog/ errlog1,errlog2	組み込み DB が出力する内部情報です。出力された場合は、バックアップを取得してください。
接続ユーザ情報ファイル Windows の場合 組み込み DB 運用ディレクトリ%spool %cncusrinf UNIX の場合 組み込み DB 運用ディレクトリ/spool/ cncusrinf	組み込み DB 終了時の接続ユーザ情報です。任意のテキストエディターで参照してください。
接続ユーザ詳細ファイル Windows の場合 組み込み DB 運用ディレクトリ%spool %cncusrdtl UNIX の場合 組み込み DB 運用ディレクトリ/spool/ cncusrdtl	
排他資源管理テーブル情報ファイル Windows の場合 組み込み DB 運用ディレクトリ%spool%pdlockinf %出力日時.mem UNIX の場合 組み込み DB 運用ディレクトリ/spool/pdlockinf/ 出力日時.mem	組み込み DB の排他制御でデッドロック、排他待ちタイムアウト、または排他資源管理テーブル不足エラーが発生したときのユーザ情報です。任意のテキストエディターで参照してください。出力された場合は、バックアップを取得してください。

注※

組み込み DB のサーバプロセスが異常終了したときに出力されるトラブルシューティング情報です。組み込み DB のサーバプロセスが異常終了したことは、メッセージ KFPS01820-E の出力によって確認できます。メッセージ KFPS01820-E からはサーバ名、プロセス ID、終了状態 (end state) を確認できます。ただし、次に示す場合、トラブルシューティング情報は出力されません。

- 終了状態 (end state) の最初が c または d で始まる場合、トラブルシューティング情報は出力されません。
- 終了状態 (end state) が Windows の場合は 007f, UNIX の場合は 0009 であれば、アボート情報ファイル、退避コアファイル、および共有メモリーダンプファイルは出力されません。

(3) トラブルが起こったときの組み込み DB の処理

トラブルが起こったときの組み込み DB の処理について説明します。

(a) 組み込み DB が異常終了したときのシステムの回復

組み込み DB が異常終了した場合、トラブルの原因を取り除いたあとに組み込み DB を再開すると、組み込み DB はシステムの状態をトラブル発生時点まで回復します。

(b) 組み込み DB が連続して異常終了したときの処理

組み込み DB が異常終了した場合、組み込み DB は再開処理を実行します。ただし、30 分以内に 3 回連続して組み込み DB が異常終了すると、組み込み DB は再開処理を中止します。この場合、組み込み DB システム管理者はトラブルの原因を対策したあと、`ajsembdbstart` コマンドで組み込み DB を再開してください。

(4) 組み込み DB の処理プロセスでトラブルが起こったときの対処方法

組み込み DB のプロセスに障害が発生すると、そのプロセスは異常終了します。このとき、組み込み DB は回復プロセスを起動してロールバック処理を実行します。そのあと、該当するプロセスが自動的に再起動されるため、組み込み DB システム管理者が対処することはありません。ただし、トラブルの影響度によっては組み込み DB が異常終了します。この場合、組み込み DB は自動的に再開します。組み込み DB システム管理者はトラブルの原因を取り除いたあとに操作を再実行してください。

2.7.2 組み込み DB が開始できないときの対処方法

組み込み DB が開始できないときの対処方法について説明します。

(1) 組み込み DB が正常開始できないときの対処方法

組み込み DB が正常開始できないときに考えられる原因と、その対処方法を次の表に示します。

表 2-4 組み込み DB が正常開始できないときに考えられる原因とその対処方法

考えられる原因	対処方法
組み込み DB が正しくインストールまたはセットアップされていません。	組み込み DB のインストールまたはセットアップをし直してください。
システム定義に誤りがあります。	システム定義に誤りがある旨のメッセージが出力されます。そのメッセージを参考にして、システム定義を修正してください。
メモリーまたはファイル容量が不足しています。	メモリーまたはファイル容量が不足している旨のメッセージが出力されます。不要なプロセスを停止させるか、または不要なファイルを削除してください。 なお、共有メモリーの場合は、システム定義を見直してください。プロセス固有のメモリーの場合は、必要のないプロセスを停止してください。 UNIX の場合は、必要に応じて OS の共有メモリー関連のオペレーティングシステムパラメータを見直してください。オペレーティングシステムパラメータについては、リリースノートを参照してください。
組み込み DB の開始に必要なファイルがありません。	組み込み DB の開始に必要なファイルがない旨のメッセージが出力されます。そのメッセージを参考にして、必要なファイルを作成してください。
組み込み DB の開始に必要なファイルにトラブルが発生しました。	メッセージを参照してトラブルが起こったファイルを調べてください。障害の要因を取り除いて再開させてください。
OS の構成が組み込み DB の実行環境として不適當です。	OS を構築し直してください。
現用のシステムログファイルを割り当てられません。	ajsembdbadd log コマンドでシステムログファイルを追加してください。

(2) 組み込み DB が再開できないときの対処方法

組み込み DB の再開に失敗した場合、再開処理時に出力されるメッセージを参照してください。再開できないときに考えられる原因と、その対処方法を次の表に示します。

表 2-5 組み込み DB が再開できないときに考えられる原因とその対処方法

考えられる原因	対処方法
マスタディレクトリ用 RD エリアにトラブルが起こったため、組み込み DB を再開できません。	「(3) システム領域にトラブルが起こったときの対処方法」を参照してください。
ログを追加して、シングルサーバ定義を編集したら、再開に失敗しました（メッセージ KFPS00715-E が出力）	ajsembdbstart コマンドに-R オプションを指定して実行してください。
UNIX の場合で、上記以外のトラブルが起こったため、組み込み DB を再開できません。	「(4) その他のトラブルが起こったときの対処方法（UNIX の場合）」を参照してください。

(3) システム領域にトラブルが起こったときの対処方法

システム領域にトラブルが起こった場合、組み込み DB は再開始できません。この場合、次に示す手順でシステム領域を回復してください。システム領域とは、組み込み DB のシステムの内部情報を格納している領域のことです。コマンドの詳細については、マニュアル「JP1/Automatic Job Management System 3 コマンドリファレンス 3. 通常の運用で使用するコマンド」を参照してください。

1. `ajsembdbstart` コマンドに `-r` オプションを指定して、組み込み DB を開始します。
2. `ajsembdbrstr` コマンドで、システム領域を回復します。
3. `ajsembdbstop` コマンドで、組み込み DB を終了させます。
4. `ajsembdbstart` コマンドで、組み込み DB を開始させます。
5. `ajsembdbrstr` コマンドで、トラブルが起こった RD エリアを回復します。

コマンドの実行後、実行結果が正しいかどうかを確認することを推奨します。

(4) その他のトラブルが起こったときの対処方法 (UNIX の場合)

UNIX の場合で、ここまで説明した以外のトラブルが起こったときの対処方法を次に示します。

なお、対処方法で使用しているコマンドの詳細については、マニュアル「JP1/Automatic Job Management System 3 コマンドリファレンス 3. 通常の運用で使用するコマンド」またはマニュアル「JP1/Automatic Job Management System 3 コマンドリファレンス 2. セットアップコマンド」を参照してください。

(a) OS に登録した組み込み DB プロセスが起動していない場合

OS に登録した組み込み DB プロセスが、何らかの障害によって起動していないことがあります。OS は繰り返しプロセスを起動しようとしますが、一定回数起動できないとプロセスが起動しなくなります。この状態では、`ajsembdbstart` コマンドを実行しても組み込み DB を開始できません。この場合、次に示す手順で対策してください。

1. `ajsembdbinstl` コマンドを実行します。

なお、組み込み DB の稼働中に電源断となってサーバマシンが停止した場合など、電源を入れ直して OS を起動した直後にも、組み込み DB 運用ディレクトリのディスクが障害状態となって、上記と同じ現象が起こることがあります。この場合にも、同様の運用方法で対処してください。

(b) OS に登録した組み込み DB プロセスが起動している場合

OS に登録した組み込み DB プロセスが起動している場合の対処手順を次に示します。

1. `ajsembdbstart` コマンド実行時にメッセージが出力されるので、そのメッセージに従って障害の原因を取り除いてください。

2.7.3 組み込み DB が終了できないときの対処方法

組み込み DB が終了できないときの対処方法について説明します。

(1) 接続中のプロセスがあるため組み込み DB が終了できないときの対処方法

ここでは、接続中のプロセスがあるため組み込み DB が終了できないときの対処方法について説明します。

JP1/AJS3 のプロセスが終了しないと、組み込み DB を終了できません。JP1/AJS3 - Manager ホストで論理ホストを含め、すべての JP1/AJS3 サービスが停止しているかを確認してください。コマンドが実行している場合は、コマンドの終了を待って組み込み DB を停止してください。実行中のコマンドを強制停止する場合は、ajsembdbcancel コマンドを実行してください。

2.7.4 OS が異常終了したときの対処方法

OS が異常終了したときの組み込み DB の処理と、組み込み DB システム管理者の処置について説明します。

(1) 組み込み DB の処理

OS にトラブルが起こって OS が異常終了すると、組み込み DB も異常終了します。

(2) 組み込み DB システム管理者の処置

OS が再起動されたあとに次に示すことをしてください。

1. 組み込み DB 運用ディレクトリ¥spool および組み込み DB 運用ディレクトリ¥tmp (UNIX の場合は組み込み DB 運用ディレクトリ/spool および組み込み DB 運用ディレクトリ/tmp) 下に出力されるトラブルシュート情報のバックアップを取得します。出力されるトラブルシュート情報については、「2.7.1(2) トラブルが起こったときに組み込み DB が取得する情報」を参照してください。

2.7.5 通信障害または電源障害になったときの対処方法

通信障害または電源障害が起こったときの対処方法について説明します。

(1) 通信障害が起こったときの対処方法

該当するトランザクションに通信障害が起こったことを知らせるエラーが表示されます。

通信障害の原因を調べてください。そのあと、組み込み DB を終了して原因を対策してください。ただし、通信障害によって組み込み DB を正常終了できない場合があります。この場合、組み込み DB を強制終了してください。

(2) 電源障害が起こったときの対処方法

電源障害を修復したあとに OS が再起動し、組み込み DB を再開始すると、ハードウェアの電源バックアップ機構によって、システムを障害発生時点に回復します。

注意事項 (Windows の場合)

コマンド実行時または組み込み DB 開始時に、メッセージ「KFPO00107-E "open(logbllib.c)" failed errno=999 : Unknown error」が出力された場合、組み込み DB の作業ファイルが破壊されているおそれがあります。この場合、組み込み DB が停止しているのを確認した上で、次に示すファイルをすべて削除して回復してください。ただし、4 以降のファイルはないことがあります。

1. 組み込み DB 運用ディレクトリ¥uxpldir¥spool¥system¥filmng.dat
2. 組み込み DB 運用ディレクトリ¥uxpldir¥spool¥system¥flg.dat
3. 組み込み DB 運用ディレクトリ¥uxpldir¥spool¥system¥shmmng.dat
4. 組み込み DB 運用ディレクトリ¥spool¥~pdatmode
5. 組み込み DB 運用ディレクトリ¥spool¥~pdipcid
6. 組み込み DB 運用ディレクトリ¥spool¥oslmqid
7. 組み込み DB 運用ディレクトリ¥spool¥oslsmid
8. 組み込み DB 運用ディレクトリ¥spool¥pdprcsts
9. 組み込み DB 運用ディレクトリ¥spool¥scdqid1
10. 組み込み DB 運用ディレクトリ¥spool¥scdqid2
11. 組み込み DB 運用ディレクトリ¥tmp¥pdommenv
12. 組み込み DB 運用ディレクトリ¥uxpldir¥spool¥shm 下の全ファイル
13. 組み込み DB 運用ディレクトリ¥uxpldir¥spool¥system¥semng.dat
14. 組み込み DB 運用ディレクトリ¥uxpldir¥spool¥system¥msgmng.dat

これらのファイルを削除したあとに組み込み DB を開始する場合、エクスプローラなどの他アプリケーションで組み込み DB 運用ディレクトリ¥tmp にアクセスしたままの状態では、組み込み DB を開始しないでください。

2.7.6 ディスク障害が起こったときの対処方法

ディスク障害が起こったときの対処手順を次に示します。

1. ハードディスクを初期化する。

ハードディスクを交換して初期化してください。

2. パーティションを設定する。

初期化したハードディスクに、前と同じようにパーティションを設定してください。

3. UNIX で通常ファイルを使っていた場合は、UNIX ファイルシステムを初期化する。

組み込み DB ファイルシステム領域に通常ファイルを使っていた場合は、設定したパーティションを UNIX のファイルシステムとして初期化してください。ただし、すでに初期化している場合、この操作は不要です。UNIX ファイルシステムの初期化方法については、OS のマニュアルを参照してください。

4. 組み込み DB 環境を再作成する。

トラブルが起こったディスク内に組み込み DB のファイルを作成していた場合、ajsembdbunset を実行して環境を削除したあと、ajsembdbbuild で再構築してください。そのあと、ajsembdbbackup で取得したバックアップをajsembdbstr で回復してください。

2.7.7 採取が必要な情報

組み込み DB 使用時にトラブルが発生した場合に採取が必要な情報については、「1.3.1(6) 組み込み DB の情報」(Windows の場合) または「1.3.2(5) 組み込み DB の情報」(UNIX の場合) を参照してください。

また、資料の採取方法については、「1.4.1(6) 組み込み DB の情報を採取する」(Windows の場合) または「1.4.2(5) 組み込み DB の情報を採取する」(UNIX の場合) を参照してください。

2.7.8 組み込み DB 操作コマンドでエラーを検知したときの対処方法

組み込み操作 DB コマンドでエラーを検知したときの対処方法について説明します。

(1) 組み込み DB のメンテナンス中にエラーが発生したときの対処方法

jajs_setup コマンド実行時、jajs_setup_cluster コマンド実行時、および組み込み DB のメンテナンス中に発生したエラーの原因とその対処方法を次の表に示します。

表 2-6 組み込み DB のメンテナンス中に発生したエラーの原因とその対処方法

戻り値	エラーの原因	対処方法
1	オプションの指定に誤りがあります。	正しいオプションを指定して、コマンドを再実行してください。
2	一時ディレクトリの作成に失敗しました。	JP1/AJS3 のインストール先ディレクトリ以下のディレクトリを退避して、システム管理者に連絡してください。
3	-id オプションに指定したセットアップ識別子が不正です。	正しいセットアップ識別子を指定して、コマンドを再実行してください。
4	-id オプションに指定したセットアップ識別子は、すでにインストール済みです。	インストール済みでないセットアップ識別子を指定して、コマンドを再実行してください。
5	JP1/AJS3 で割り当てられるセットアップ識別子がありません。	JP1/AJS3 のインストール先ディレクトリ以下のディレクトリを退避して、システム管理者に連絡してください。
6	組み込み DB のポート番号の取得に失敗しました。	

戻り値	エラーの原因	対処方法
7	-p オプションに指定したポート番号が不正です。	正しいポート番号を指定して、コマンドを再実行してください。
8	予期しないエラーが発生しました。	JP1/AJS3 のインストール先ディレクトリ以下のディレクトリを退避して、システム管理者に連絡してください。
9	-p オプションに指定したポート番号は、すでに使用されています。	使用されていないポート番号を指定して、コマンドを再実行してください。
10	JP1/AJS3 で割り当てられるポート番号がありません。	JP1/AJS3 のインストール先ディレクトリ以下のディレクトリを退避して、システム管理者に連絡してください。
11	JP1/AJS3 で割り当てられるテーブルプリフィックスがありません。	
12	ユーザーが不当に編集した、または破損した組み込み DB 設定ファイルを指定しました。	正しい組み込み DB 設定ファイルを指定して、コマンドを再実行してください。
24	Administrators 権限がないユーザーでインストールを実行しました。	Administrators 権限を持つユーザーでコマンドを再実行してください。

(2) 組み込み DB のインストール中にエラーが発生したときの対処方法

組み込み DB のインストール中に発生したエラーの原因とその対処方法を次の表に示します。

表 2-7 組み込み DB のインストール中に発生したエラーの原因とその対処方法

戻り値	エラーの原因	対処方法
-66	何らかのプロセス（イベントビューアやウイルススキャン、バックアップソフトなど）によって組み込み DB のファイルが使用されているため、更新できないファイルがあります。	OS を再起動し、イベントビューアやウイルススキャン、バックアップソフトなどを起動していない状態で、コマンドを再実行してください。
1	オプションの指定に誤りがあります。	正しいオプションを指定して、コマンドを再実行してください。
2	一時ディレクトリの作成に失敗しました。	JP1/AJS3 のインストール先ディレクトリ以下のディレクトリを退避して、システム管理者に連絡してください。
3	-mh オプションに指定したホスト名が不正です。	正しいホスト名を指定して、コマンドを再実行してください。
4	-id オプションに指定したセットアップ識別子が不正です。	正しいセットアップ識別子を指定して、コマンドを再実行してください。
5	-id オプションに指定したセットアップ識別子は、すでにインストール済みです。	インストール済みでないセットアップ識別子を指定して、コマンドを再実行してください。
6	組み込み DB のインストール実行ログが見つかりません。	JP1/AJS3 のインストール先ディレクトリ以下のディレクトリを退避して、システム管理者に連絡してください。
7	組み込み DB のインストールイメージがありません。または-s オプションに指定したパスに権限がありません。	-s オプションに指定したパスに組み込み DB のインストールイメージを格納してから、コマンドを再実行してください。または指定したパスの権限を見直して、再実行してください。AJS

戻り値	エラーの原因	対処方法
7	組み込み DB のインストールイメージがありません。または-s オプションに指定したパスに権限がありません。	管理者で運用している場合は、AJS 管理者に対して権限があるか見直してください。
8	構成定義の登録に失敗しました。	コマンドの実行権限を確認してから、コマンドを再実行してください。
9	インストールするセットアップ識別子とインストール先ディレクトリの組み合わせが不正です。	インストール済みの組み込み DB セットアップ識別子を指定する場合は、そのセットアップ識別子に対応したインストール先ディレクトリを指定してコマンドを再実行してください。インストール済みでない組み込み DB セットアップ識別子を指定する場合は、インストール済みでない組み込み DB のインストール先ディレクトリを指定してコマンドを再実行してください。
12	インストール時に配置されるファイルが一部不足しています。	次の要因が考えられます。 <ul style="list-style-type: none"> • ajsembdbinstl コマンドを同じセットアップ識別子に対して同時に複数実行したため、インストール時に配置されるファイルが不正な状態となっている。 この場合、ajsembdbinstl コマンドを再実行してください。 • その他の場合 JP1/AJS3 のインストール先ディレクトリ配下のディレクトリを退避して、システム管理者に連絡してください。
24	Administrators 権限がないユーザーでインストールを実行しました。	Administrators 権限を持つユーザーでコマンドを再実行してください。
61	インストールに必要なファイルが不足しています。	-s オプションに指定したディレクトリに組み込み DB のインストールイメージを格納してから、コマンドを再実行してください。
63	OS 登録中にエラーが発生しました。	リリースノートを参照して、必要な OS のパッチやパッケージがインストールされているか確認してください。 また、-i オプションに指定したインストール先ディレクトリが、次の条件を満たしているかどうか確認してください。 <ul style="list-style-type: none"> • インストール先ディレクトリ名が次の文字で構成されている。 Windows の場合 <ul style="list-style-type: none"> ・半角英数字 ・空白文字 ・パス区切りの¥ ・. (ピリオド) ・_ (アンダーバー) ・(・) UNIX の場合 <ul style="list-style-type: none"> ・半角英数字 ・_ (アンダーバー) ・/ (スラント) • インストール先ディレクトリのパス長が 118 バイト以内である。

戻り値	エラーの原因	対処方法
63	OS 登録中にエラーが発生しました。	これらの条件を満たした上で、コマンドを再実行してください。このエラーが繰り返し出力される場合は、JP1/AJS3 のインストール先ディレクトリ以下のディレクトリを退避して、システム管理者に連絡してください。
65	ディスクアクセス中にエラーが発生しました。	組み込み DB のインストール先ディスクに十分な空き容量があるか確認してから、コマンドを再実行してください。十分な空き容量がある場合でもこのエラーとなる場合は、JP1/AJS3 のインストール先ディレクトリ以下のディレクトリを退避して、システム管理者に連絡してください。
66	組み込み DB のインストール先ディスクの空き容量が不足しています。	組み込み DB のインストール先ディスクに十分な空き容量があるか確認してから、コマンドを再実行してください。
68	起動オプション (パラメーター) が不正です。	JP1/AJS3 のインストール先ディレクトリ以下のディレクトリを退避して、システム管理者に連絡してください。
72	スーパーユーザー権限がないユーザーでインストールを実行しました。	スーパーユーザー権限を持つユーザーでコマンドを再実行してください。
78	JP1/AJS3 の適用 OS ではありません。	JP1/AJS3 の適用 OS であるか確認してください。適用 OS である場合は、JP1/AJS3 のインストール先ディレクトリ以下のディレクトリを退避して、システム管理者に連絡してください。
80	Windows の場合 同じセットアップ識別子の組み込み DB のサービスが「停止」状態ではありません。 UNIX の場合 インストール先ディレクトリに指定した組み込み DB が稼働中です。	組み込み DB を停止してからコマンドを再実行してください。
82	Windows の場合 同じセットアップ識別子の組み込み DB がすでにインストールされています。 UNIX の場合 インストール先ディレクトリに組み込み用以外のデータベースがすでにインストールされています。	インストール先ディレクトリの指定を見直してください。
83	Windows ファイアウォールの例外リストへの登録中にエラーが発生しました。	JP1/AJS3 のインストール先ディレクトリ以下のディレクトリを退避して、システム管理者に連絡してください。
85	パッチ情報ファイルの内容が不正です。	
86	パッチ情報の削除に失敗しました。	
87	パッチ情報の削除に失敗しました。OS を再起動する必要があります。	
88	pdservice.exe プロセスが実行中です。	

戻り値	エラーの原因	対処方法
89	組み込み DB サービスの表示名が重複しました。	JP1/AJS3 のインストール先ディレクトリ以下のディレクトリを退避して、システム管理者に連絡してください。
90	系切り替え用サービスの表示名が重複しました。	
91	Windows イベントログのソース名が重複しました。	
92	組み込み DB サービスの表示名登録時に異常が発生しました。	
93	系切り替え用サービスの表示名登録時に異常が発生しました。	
94	Windows イベントログのソース名登録時に異常が発生しました。	
95	組み込み DB が「停止」状態ではありません。	組み込み DB を停止してからコマンドを再実行してください。
96	バージョンアップインストールするファイルが使用中です。	JP1/AJS3 のインストール先ディレクトリ以下のディレクトリを退避して、システム管理者に連絡してください。
60	上記以外のエラーが発生しました。	

(3) 組み込み DB のアンインストール中にエラーが発生したときの対処方法

組み込み DB のアンインストール中に発生したエラーの原因とその対処方法を次の表に示します。

表 2-8 組み込み DB のアンインストール中に発生したエラーの原因とその対処方法

戻り値	エラーの原因	対処方法
1	オプションの指定に誤りがあります。	正しいオプションを指定して、コマンドを再実行してください。
2	一時ディレクトリの作成に失敗しました。	JP1/AJS3 のインストール先ディレクトリ以下のディレクトリを退避して、システム管理者に連絡してください。
3	-mh オプションに「JP1_DEFAULT」は指定できません。	
4	-mh オプションに指定したホスト名が不正です。	正しいホスト名を指定して、コマンドを再実行してください。
5	組み込み DB のインストール情報ディレクトリがありません。	
6	組み込み DB のアンインストール情報ディレクトリがありません。	JP1/AJS3 のインストール先ディレクトリ以下のディレクトリを退避して、システム管理者に連絡してください。
7	組み込み DB のインストール先ディレクトリが解決できません。	
8	予期しないエラーが発生しました。	

戻り値	エラーの原因	対処方法
9	組み込み DB の環境構築情報ファイルの出力に失敗しました。	JP1/AJS3 のインストール先ディレクトリ以下のディレクトリを退避して、システム管理者に連絡してください。
10	組み込み DB のアンセットアップに失敗しました。	このメッセージの前に出力されているエラーメッセージに従って対処してから、コマンドを再実行してください。
11	構成定義の削除に失敗しました。	JP1/AJS3 のインストール先ディレクトリ以下のディレクトリを退避して、システム管理者に連絡してください。
24	Administrators 権限がないユーザーでアンインストールを実行しました。	Administrators 権限を持つユーザーでコマンドを再実行してください。
63	OS 登録解除中にエラーが発生しました。	JP1/AJS3 のインストール先ディレクトリ以下のディレクトリを退避して、システム管理者に連絡してください。
65	ディスクアクセス中にエラーが発生しました。	
72	スーパーユーザー権限がないユーザーでアンインストールを実行しました。	スーパーユーザー権限を持つユーザーでコマンドを再実行してください。
81	Windows の場合 同じセットアップ識別子の組み込み DB がインストールされていません。 UNIX の場合 インストール先ディレクトリに組み込み DB がインストールされていません。	JP1/AJS3 のインストール先ディレクトリ以下のディレクトリを退避して、システム管理者に連絡してください。
88	実行中の組み込み DB プロセスが残っていたため、一部のファイルを削除できません。	OS を再起動してから、コマンドを再実行してください。
60	上記以外のエラーが発生しました。	JP1/AJS3 のインストール先ディレクトリ以下のディレクトリを退避して、システム管理者に連絡してください。

(4) 組み込み DB のセットアップ中にエラーが発生したときの対処方法

組み込み DB のセットアップ中に発生したエラーの原因とその対処方法を次の表に示します。

なお、組み込み DB 識別子に「_JF0」以外を使用している場合、コマンド名やフォルダパスの「_JF0」部分を、使用している組み込み DB 識別子に置き換えてください。

表 2-9 組み込み DB のセットアップ中に発生したエラーの原因とその対処方法

コード	メッセージ ID	エラーの原因	対処方法
7	KFPX29607	ファイルがありません。	次の情報を退避して、システム管理者に連絡してください。 Windows の場合 <ul style="list-style-type: none"> JP1/AJS3 のインストール先フォルダ¥embdb¥_JF0 以下のフォルダおよびファイル JP1/AJS3 のインストール先フォルダ¥Log¥embdb 以下のファイル
8	KFPX29608	ファイルのオープンに失敗しました。	
9	KFPX29609	ファイルの読み取りに失敗しました。	

コード	メッセージ ID	エラーの原因	対処方法
10	KFPX29610	ファイルの生成に失敗しました。	UNIX の場合 <ul style="list-style-type: none"> • /opt/jp1ajs2/embdb/_JF0 以下のディレクトリおよびファイル • /var/opt/jp1ajs2/log/embdb 以下のファイル
11	KFPX29611	ディレクトリの作成に失敗しました。	
12	KFPX29612	表・システム領域不足です。	ディスクに十分な空きがあるか確認してください。
13	KFPX29613	表・システム領域不足です。	
14	KFPX29614	表・システム領域不足です。	
15	KFPX29615	表・システム領域不足です。	
16	KFPX29616	表・システム領域作成時にエラーが発生しました。	OS のファイルシステムの設定で、扱えるファイルの最大サイズが 2 ギガバイト以下に設定されている場合は、2 ギガバイトより大きな値、または無制限に設定し直してください。
17	KFPX29617	システム領域の初期化でエラーが発生しました。	次の情報を退避して、システム管理者に連絡してください。 Windows の場合 <ul style="list-style-type: none"> • JP1/AJS3 のインストール先フォルダ¥embdb¥_JF0 以下のフォルダおよびファイル • JP1/AJS3 のインストール先フォルダ¥Log¥embdb 以下のファイル UNIX の場合 <ul style="list-style-type: none"> • /opt/jp1ajs2/embdb/_JF0 以下のディレクトリおよびファイル • /var/opt/jp1ajs2/log/embdb 以下のファイル
18	KFPX29618	組み込み DB の起動または表領域初期化でエラーが発生しました。	<ul style="list-style-type: none"> • 組み込み DB を構築するホスト名から名前解決した IP アドレスで通信できる状態になっているか確認してください。 • 組み込み DB が必要とするシステムリソースが不足しています。マニュアル「JP1/Automatic Job Management System 3 設計ガイド（システム構築編） 3.2.5 カーネルパラメータを見積もる」を参照して確認してください。
19	KFPX29619	組み込み DB の内部でエラーが発生しました。	次の情報を退避して、システム管理者に連絡してください。 Windows の場合 <ul style="list-style-type: none"> • JP1/AJS3 のインストール先フォルダ¥embdb¥_JF0 以下のフォルダおよびファイル • JP1/AJS3 のインストール先フォルダ¥Log¥embdb 以下のファイル UNIX の場合 <ul style="list-style-type: none"> • /opt/jp1ajs2/embdb/_JF0 以下のディレクトリおよびファイル • /var/opt/jp1ajs2/log/embdb 以下のファイル
20	KFPX29620	一時ファイルの作成でエラーが発生しました。	
23	KFPX29623	組み込み DB の内部でエラーが発生しました。	

コード	メッセージ ID	エラーの原因	対処方法
24	KFPX29624 KFPS00031	組み込み DB がすでに環境構築されています。	JP1/AJS3 をアンインストールしたあと、JP1/AJS3 を再度インストールしてください。
25	KFPX29625	メモリーが不足しています。	十分なメモリーを確保してください。
26	KFPX29626	組み込み DB の内部でエラーが発生しました。	次の情報を退避して、システム管理者に連絡してください。 Windows の場合 <ul style="list-style-type: none"> • JP1/AJS3 のインストール先フォルダ¥embdb¥_JF0 以下のフォルダおよびファイル • JP1/AJS3 のインストール先フォルダ¥Log¥embdb 以下のファイル UNIX の場合 <ul style="list-style-type: none"> • /opt/jp1ajs2/embdb/_JF0 以下のディレクトリおよびファイル • /var/opt/jp1ajs2/log/embdb 以下のファイル
27	KFPX29627	組み込み DB の内部でエラーが発生しました。	

注※

次のどちらかのフォルダとなります。

- インストール先フォルダがデフォルトまたはシステムで保護されたフォルダ配下の場合
%ALLUSERSPROFILE%¥Hitachi¥JP1¥JP1_DEFAULT¥JP1AJS2
「%ALLUSERSPROFILE%」のデフォルトは「システムドライブ¥ProgramData」です。
「システムで保護されたフォルダ」とは、次のパスを指します。
 - ・「システムドライブ¥Windows」配下
 - ・「システムドライブ¥Program Files」配下
 - ・「システムドライブ¥Program Files (x86)」配下（64ビット版の Windows の場合）
- インストール先フォルダが上記以外の場合
JP1/AJS3 - Manager のインストール先フォルダ

2.7.9 JP1/AJS3 - Manager のインストールおよびアンインストール中にエラーを検知したときの対処方法

JP1/AJS3 - Manager のインストールおよびアンインストール中にエラーを検知したときの対処方法について説明します。説明する項目は次のとおりです。

- JP1/AJS3 - Manager のインストール中にエラーが発生したときの対処方法
- JP1/AJS3 - Manager のアンインストール中にエラーが発生したときの対処方法

(1) JP1/AJS3 - Manager のインストール中にエラーが発生したときの対処方法

JP1/AJS3 - Manager のインストール中に発生したエラーの原因とその対処方法を次の表に示します。

表 2-10 JP1/AJS3 - Manager のインストール中に発生したエラーの原因とその対処方法

エラーコード	エラーの原因	対処方法
63	JP1/AJS3 の動作に必要な OS のパッチやパッケージがインストールされていません。	リリースノートを参照して、必要な OS のパッチやパッケージをインストールしたあと、JP1/AJS3 のアンインストールおよびインストールをしてください。
66	組み込み DB のインストール先ディスクの空き容量が不足しています。	JP1/AJS3 をインストールする環境を見直してください。ディスクに十分な空きがあるか確認してください。
80	前回インストールした組み込み DB がアンインストールされていません。	次の対処をしてください。
82		Windows の場合
95		UNIX の場合
		<ol style="list-style-type: none"> 次のコマンドを実行する。 ajsembdbstop -f -id _JF0 次のコマンドを実行する。 JP1/AJS3 のインストール先フォルダ※%sys%install %embdbuninstl_JF0.cmd 次のフォルダおよびファイルをすべて削除する。 JP1/AJS3 のインストール先フォルダ%embdb%_JF0 以下のフォルダおよびファイル
		<ol style="list-style-type: none"> 次のコマンドを実行する。 ajsembdbstop -f -id _JF0 /etc/inittab に登録された_JF0 の pdprcd プロセスを編集モードで削除する。 ps コマンドで表示される_JF0 の pdprcd プロセスをkill コマンドで終了する。 次のディレクトリおよびファイルをすべて削除する。 /opt/jp1ajs2/embdb/_JF0 以下のディレクトリおよびファイル

注※

次のどちらかのフォルダとなります。

- インストール先フォルダがデフォルトまたはシステムで保護されたフォルダ配下の場合
%ALLUSERSPROFILE%\Hitachi\JP1\JP1_DEFAULT\JP1AJS2
「%ALLUSERSPROFILE%」のデフォルトは「システムドライブ\ProgramData」です。
「システムで保護されたフォルダ」とは、次のパスを指します。
 - ・「システムドライブ\Windows」配下
 - ・「システムドライブ\Program Files」配下

・「システムドライブ¥Program Files (x86)」配下（64ビット版の Windows の場合）

- インストール先フォルダが上記以外の場合
JP1/AJS3 - Manager のインストール先フォルダ

(2) JP1/AJS3 - Manager のアンインストール中にエラーが発生したときの対処方法

JP1/AJS3 - Manager のアンインストール中に発生したエラーの原因とその対処方法を次の表に示します。

表 2-11 JP1/AJS3 - Manager のアンインストール中に発生したエラーの原因とその対処方法

エラーコード	エラーの原因	対処方法
5	組み込み DB のインストール先ディレクトリがありません。	すでにアンインストールした組み込み DB の情報が JP1/AJS3 の共通定義情報に残っていることが考えられます。
6	組み込み DB のアンインストールに必要な情報がありません。	次の対処をしてください。
81	組み込み DB がインストールされていません。	<p>1. JP1/AJS3 にインストール済みのすべての組み込み DB セットアップ識別子について、ajsembdbuninstl コマンドを実行する。</p> <p>ajsembdbuninstl コマンドの詳細については、マニュアル「JP1/Automatic Job Management System 3 コマンドリファレンス 2. セットアップコマンド ajsembdbuninstl」を参照してください。</p> <p>2. 次のコマンドをすべて実行し、共通定義情報を削除する。</p> <pre>jbsunsetcnf -i -h JP1_DEFAULT または論理ホスト名 -c JP1AJS2 -n EMBDBINSTALL</pre> <pre>jbsunsetcnf -i -h JP1_DEFAULT -c JP1AJS2 -n EMBDB</pre> <pre>jbsunsetcnf -i -h JP1_DEFAULT -c JP1AJS2 -n EMBDBPORT</pre> <p>jbsunsetcnf コマンドの詳細については、マニュアル「JP1/Base 運用ガイド」を参照してください。</p>
10	組み込み DB のアンセットアップに失敗しました。	<p>次の要因が考えられます。</p> <ul style="list-style-type: none"> • すでにアンインストールした組み込み DB の情報が JP1/AJS3 の共通定義情報に残っている • メモリーが不足している <p>JP1/AJS3 のアンインストールを実行する環境を見直してください。また、メモリーに十分な空きがあるか確認してください。このエラーが繰り返し出力される場合は、次の対処をしてください。</p> <p>1. JP1/AJS3 にインストール済みのすべての組み込み DB セットアップ識別子について、ajsembdbuninstl コマンドを実行する。</p> <p>ajsembdbuninstl コマンドの詳細については、マニュアル「JP1/Automatic Job Management System 3 コマンドリファレンス 2. セットアップコマンド ajsembdbuninstl」を参照してください。</p>

エラーコード	エラーの原因	対処方法
10	組み込み DB のアンセットアップに失敗しました。	<p>2. 次のコマンドをすべて実行し、共通定義情報を削除する。</p> <pre>jbsunsetcnf -i -h JP1_DEFAULT または論理ホスト名 -c JP1AJS2 -n EMBDBINSTALL</pre> <pre>jbsunsetcnf -i -h JP1_DEFAULT -c JP1AJS2 -n EMBDB</pre> <pre>jbsunsetcnf -i -h JP1_DEFAULT -c JP1AJS2 -n EMBDBPORT</pre> <p>jbsunsetcnf コマンドの詳細については、マニュアル「JP1/Base 運用ガイド」を参照してください。</p>

2.8 コマンド実行時のトラブルへの対処

コマンドの実行に関するトラブルの対処方法について説明します。

コマンドは正常終了するが実行結果が不適切である場合、V5 以前の JP1/AJS がインストールされているおそれがあります。

コマンドパスが環境変数PATH へ設定され有効になっていることを確認してください。そのあと、コマンドを再実行してください。

2.9 メールシステム連携のトラブルへの対処 (Windows 限定)

Windows で実行するメールシステム連携に関するトラブルの対処方法を次に示します。

2.9.1 Outlook を使用しないメール送信ジョブのトラブルへの対処

(1) プロファイルの作成方法がわからない

プロファイルを作成するには、`jpomailprof` コマンドに `-add` オプションを指定して実行します。

プロファイルの作成方法については、マニュアル「JP1/Automatic Job Management System 3 連携ガイド 2.2.2(2) プロファイルを作成する」を、`jpomailprof` コマンドの詳細については、マニュアル「JP1/Automatic Job Management System 3 コマンドリファレンス 3. 通常の運用で使用するコマンド `jpomailprof` (Windows 限定)」を参照してください。

(2) SMTP サーバとの通信に失敗する

JP1/AJS3 - View の [実行結果詳細] ダイアログボックスで、メッセージ KAVT3828-E~KAVT3833-E のどれかが出力されていないか確認してください。出力されている場合は、プロファイルの設定が誤っているおそれがあります。メッセージの対処方法に従って、プロファイルを見直してください。

(3) メール送信ジョブが異常終了する

次の内容について、確認・対応してください。

- JP1/AJS3 - View の [実行結果詳細] ダイアログボックスで、メッセージ KAVT3825-E が出力されていないか確認してください。出力されている場合は、プロファイルへのアクセスに失敗したおそれがあります。メッセージの対処方法に従って、実行ユーザーのアクセス権限を見直してください。

(4) メール送信ジョブが実行中のままでメールの送受信ができない

次の内容について、確認・対応してください。

- 次の二つのプロファイルの名称が同じであることを確認してください。全角・半角、大文字・小文字は区別されるため注意してください。
 - 実際に作成したプロファイルの名称
 - メール送信ジョブに指定したプロファイルの名称
- 接続しようとしているメールサーバが起動していることを確認してください。

(5) メール送信ジョブが正常終了したのにメールが届かない

メール送信ジョブが正常終了していれば、SMTP サーバにメールは送信できています。次の点を確認してください。

- メール宛先が正しいか、該当するジョブの定義内容を JP1/AJS3 - View で確認してください。宛先が誤っている場合は、メール送信ジョブの定義を修正してください。
- 送信した SMTP サーバのログを確認して、正しくメールが送信されたか確認してください。正しくメールが送信されていた場合は、通信経路、または受信側のどちらかに問題があります。必要に応じて対処してください。

(6) メール送信ジョブを強制終了したのに telmail.exe プロセスが残る

メール送信ジョブを強制終了したときに、telmail.exe プロセスが JP1/AJS3 から切り離されて、続行中の処理が完了するまで一定時間残ることがあります。

次の内容について、確認・対応してください。

- メール送信ジョブを強制終了したあとに、タスクマネージャーやタスクリストなどで telmail.exe プロセスが残っているか確認してください。残っている場合は、手動で終了してください。

2.9.2 Outlook を使用するメール送信ジョブおよびメール受信監視ジョブのトラブルへの対処

(1) プロファイルの作成方法がわからない

Windows の [スタート] メニューから [コントロールパネル] を実行し、[メール] アイコンを選択してください。Outlook のプロファイルを作成するためのダイアログボックス※が表示されるので、必要な設定をしてください。

注※

表示されるダイアログボックスは、プロファイルの作成状況によって異なります。

プロファイルが作成されている場合

[デフォルトのプロファイルとして設定されているプロファイル名のプロパティ] ダイアログボックスが表示されます。

[サービス] タブの [プロファイルの表示] ボタンをクリックすると、[メール] ダイアログボックスが表示されます。[全般] タブの [追加] をクリックすると、プロファイルの作成を開始できます。

プロファイルが作成されていない場合

[メール] ダイアログボックスが表示されます。

[全般] タブの [追加] ボタンをクリックすると、プロファイルの作成を開始できます。

なお、[インターネット アカウント] ダイアログボックスではプロフィールを正しく作成できません。詳細については、「(2) プロファイルが正しく作成できない」を参照してください。

また、プロフィール作成時に指定するプロフィール名がほかのプロファイル名と重複しないようにしてください。詳細については、マニュアル「JP1/Automatic Job Management System 3 連携ガイド 2.3.4 メールシステム連携のための環境設定をする」を参照してください。

(2) プロファイルが正しく作成できない

[インターネット アカウント] ダイアログボックスを使ってプロフィールを作成しているおそれがあります。そのため、32ビット版の Outlook 2013、32ビット版の Outlook 2010、または Outlook 2007 がインストールされていることを確認してください。

(3) メール送信ジョブおよびメール受信監視ジョブが意図どおり動作しない

メールシステム連携機能は、Outlook 単体でメールの送受信ができる状態になっていることを動作の前提としています。メール送信ジョブおよびメール受信監視ジョブが意図どおりに動作しない場合は、まず次に示す手順でメールの送受信が正常に動作するかどうかを確認してください。

なお、プロフィールの作成・変更を行った場合は、そのプロフィールを使って Outlook を起動しておかないと、メールシステム連携機能を使用できない場合があります。

1. Outlook が起動できることを確認する。

2. Outlook がシステムの規定の電子メールプログラムとして設定されているかどうかを確認する。

設定方法の詳細については、Outlook のヘルプを参照してください。

設定していない状態でメール送信ジョブおよびメール受信監視ジョブを実行した場合、Outlook によって「Microsoft Outlook を起動して、規定のメールクライアントに設定してください」というダイアログボックスが表示され、メールの送信およびメールの受信監視ができません。

3. Outlook でメールが送受信できることを確認する。

JP1/AJS3 が起動していない状態で、Outlook 単体でメールの送信および受信がどちらも正常に動作することを確認してください。メールの送受信の動作を確認する際は、次の条件を JP1/AJS3 で使用するメールシステム連携機能と合わせてください。

- 使用するマシン
- 使用するプロフィール
- 送信するメールの宛先
- 受信するメールの差出人、件名、本文
- Outlook からメールシステムへのログオンアカウント

なお、メール送信ジョブだけを実行する場合、またはメール受信監視ジョブだけを実行する場合でも、同様にメールの送信および受信がどちらも正常に動作することを確認してください。

また、Outlook をオフラインで使用している場合は、Outlook のファイルメニューで、Outlook をオフラインからオンラインで使用するように設定を切り替えてください。Outlook をオフラインで使用している場合、Outlook とメールサーバとの間で接続がされていない状態となります。

4. Outlook 起動時およびメールの送受信時に、次のような応答を求めるダイアログボックスが表示されないことを確認する。

- サーバ名、ユーザー名、パスワードを問い合わせるダイアログボックス
- その他、ボタンクリックなどの応答を求めて待ちとなるダイアログボックス

これらのダイアログボックスが表示される環境では、メールシステム連携による自動運用はできません。ダイアログボックスが表示される場合は、プロファイルの設定を見直して、ダイアログボックスが表示されないようにしてください。

5. Outlook 2007 の場合は、起動後の Outlook のウィンドウにツールバーが表示されていることを確認する。また、ツールバー上に [送受信] ボタンが表示されていることを確認する。

Outlook 2007 でツールバーが表示されていない場合、およびツールバー上に [送受信] ボタンが表示されていない場合は、メールシステム連携機能が正しく動作しません。

なお、32 ビット版の Outlook 2013、および 32 ビット版の Outlook 2010 ではツールバーの表示がないため、ツールバーを確認する必要はありません。

Outlook が単体で正常に動作しない場合は、プロファイルの設定内容およびメールサーバとの接続状態などを見直してください。

Outlook 正常に動作する場合は、次に示す内容を確認して対処してください。

- 次の三つのプロファイルの名称が同じであることを確認してください。全角・半角、および大文字・小文字も含めて同じであることを確認してください。
 - システムに作成したプロファイルの名称
 - 環境設定パラメーター ProfileName1~ProfileName4 に設定したプロファイルの名称
詳細については、マニュアル「JP1/Automatic Job Management System 3 連携ガイド 2.3.4 メールシステム連携のための環境設定をする」を参照してください。
 - メール送信ジョブおよびメール受信監視ジョブに指定したプロファイルの名称
- メールシステム連携機能をデスクトップ上で使用している場合は、JP1/AJS3 メール監視プロセスが起動していることを確認してください。メールシステム連携機能をサービス上で使用している場合は、JP1/AJS3 Mail サービスが起動していることを確認してください。
- メールシステム連携機能をサービスで使用する場合、JP1/AJS3 Mail サービスのアカウントとして、システムアカウントではなく、プロファイル作成時に Windows にログインしていたユーザーのアカウントを設定していることを確認してください。JP1/AJS3 Mail サービスはシステムアカウントでは動作しません。
- メールシステム連携機能で使用する環境設定パラメーターに設定した内容を変更した場合は、JP1/AJS3 サービスを再起動してください。また、メールシステム連携機能をデスクトップ上で使用している場合

は、JP1/AJS3 メール監視プロセスを再起動してください。メールシステム連携機能をサービス上で使用している場合は、JP1/AJS3 Mail サービスを再起動してください。

(4) メール送信ジョブおよびメール受信監視ジョブが異常終了する

エラーメッセージの後ろにメールシステムのエラーコードが「MAPI CODE=xxxxxxx」の形式で出力されている場合には、次に示す表からエラーの原因を調査し、対処してください。

表 2-12 メールシステムのエラーコードと内容

MAPI CODE	意味
8004010D	ディスク容量が不足しています。
8004010E	リソースが不足しています。
80040111	ログオンに失敗しました。
80040115	ネットワーク障害が発生しています。
80040116	ディスク入出力エラーが発生しました。
80040124	メールアカウントが無効です。
8004010F	送信先アドレスがありません。
80040607	送信先アドレスがありません。
80040700	送信先アドレスがあいまいです。

(5) 送信したメールが送信済トレイに入らず送信トレイに入ったままになる、またはメールサーバ上に到着しているはずのメールが受信トレイに入らない

メール送信ジョブは、Outlook の送信トレイに新規メールを送出するまでの処理を行っています。Outlook の送信トレイからメールサーバにメールを送信する動作は Outlook によって行われます。したがって、Outlook の送信トレイにメールが滞留する場合は、「(3) メール送信ジョブおよびメール受信監視ジョブが意図どおり動作しない」を参照して、Outlook 単体でメールの送受信ができることを確認してください。

Outlook が単体で正常に動作しない場合は、プロファイルの設定内容およびメールサーバとの接続状態などを見直してください。

(6) その他のトラブルが起こったときの対処方法

次に示す内容について確認してください。

- 前提となっているバージョンの Outlook を使用しているか確認してください。詳細については、マニュアル「JP1/Automatic Job Management System 3 連携ガイド 2.3.1(1) 連携できるメールシステム」を参照してください。また、Outlook のバージョン情報のハードコピーを採取して確認してください。

- Outlook 2013, または Outlook 2010 を使用している場合, 64 ビット版の Outlook を使用していないか確認してください。
- メール受信監視ジョブで, 受信メールの判定に時間が掛かる場合は, Outlook の受信トレイに未開封の受信メールが多く存在しないかどうかを確認してください。メール受信監視ジョブは Outlook の受信トレイの未開封のメールを参照し, ジョブに定義された条件と合致するメールを検出するまで判定を行うため, 条件と合致しない未開封のメールが受信トレイに多く存在すると, 判定に時間が掛かる場合があります。

2.10 マネージャーの処理に影響を及ぼすエージェント障害時の対処

サブミットジョブを使用している場合、特定のエージェントの障害によって、マネージャーの処理に影響を及ぼすような事象が発生したときに、回復するために緊急実行コマンドを使用できます。

緊急実行コマンドを使用すると、エージェントでの障害発生時にジョブ実行状況の確認、操作ができます。緊急実行コマンドは通常のコマンドとは異なる通信経路に対してジョブ実行制御を要求するため、緊急で実行できます。

❗ 重要

緊急実行コマンドは、エージェントの障害から迅速に復旧させる目的だけに使用してください。常に緊急実行コマンドを使用する運用をした場合、障害発生時に対応できなくなるおそれがあります。

緊急実行コマンドとして実行できるコマンドを次の表に示します。

なお、次の表のコマンドに-em オプションを指定することで緊急実行コマンドとして使用できます。

表 2-13 緊急実行コマンドとして実行できるコマンド

機能	コマンド	用途
キューの受付口・取出口を閉じる。	jpqqueclose	キューの受付口・取出口を閉じることで、追加ジョブが投入できないようにし、障害の拡大を防止する。
キューの受付口・取出口を開く。	jpqqueopen	エージェントと連携できるようになった場合に、いったん閉じたキューの受付口・取出口を開く。
キュー情報を表示する。	jpqqueshow	キュー属性を変更するとき、キュー内にあるキューイングジョブ数と実行中ジョブ数を確認する。
キューのジョブ数・最大値・警告値を変更する。	jpqquealt	キュー属性を変更後、一時的にキューに保持できる最大値を大きくすることによって、復旧後の運用継続が見込める場合に使用する。
エージェントの実行多重度を変更する。	jpqagalt	優先ジョブの実行のために、エイリアスエージェントの制御を実行多重度によって行う場合に使用する。
エージェント情報を表示する。	jpqagtshow	エージェント属性を変更するとき、エージェントで実行中のジョブ数を確認する。
エージェント複数接続時の優先順位を変更する。	jpqagtlink	一つのキューから複数のエージェントに接続している場合のエージェント分散起動優先順位を変更する。
ジョブをキャンセルする。	jpqjobcan	実行待ち、保留、時間待ち状態になっているジョブの実行をキャンセルする。

2.11 ISAM ファイルが不正になった場合の対処

ISAM ファイルが不正になった場合の、ISAM ファイルの状態を確認および再作成する方法について説明します。

JP1/AJS3 の QUEUE ジョブ、サブミットジョブ実行環境データベースの ISAM ファイルが不正になると、キューを使用するジョブの起動に失敗するなどの問題が発生します。その場合、「2.11.2 QUEUE ジョブ、サブミットジョブの実行環境データベースの再作成手順」を実施してください。

2.11.1 ISAM ファイルの状態確認手順

ここでは、ISAM ファイルの状態を確認する手順を示します。

不正な状態になっている場合は ISAM ファイルを再作成してください。

1. JP1/AJS3 サービスを停止する。

2. Jischk コマンドを実行し、ISAM ファイルが不正な状態になっていないかを確認する。

Windows ホストの場合

```
Jischk -l 3 ジョブ実行環境のデータベース格納ディレクトリ名*¥JPQ*
```

UNIX ホストの場合

```
/opt/jp1base/bin/Jischk -l 3 ジョブ実行環境のデータベース格納ディレクトリ名*/JPQ*
```

注※

「ジョブ実行環境のデータベース格納ディレクトリ名」は、環境設定パラメーター DatabasePath に設定しているものを指定してください。環境設定パラメーター DatabasePath のデフォルト値などの詳細については、マニュアル「JP1/Automatic Job Management System 3 構築ガイド 20.5.2(3) DatabasePath」を参照してください。

3. 出力されたメッセージを確認する。

次のメッセージが出力された場合、ISAM ファイルが不正な状態です。

- KAIU013-E キー定義ファイルの不正を検出しました。
- KAIU014-E キーファイルの不正を検出しました。
- KAIU015-E データファイルの不正を検出しました。

Jischk コマンドおよび出力メッセージの詳細については、マニュアル「JP1/Base 運用ガイド」を参照してください。

2.11.2 QUEUE ジョブ, サブミットジョブの実行環境データベースの再作成手順

QUEUE ジョブ, サブミットジョブの実行環境で使用するデータベースの再作成手順を次に示します。

1. JP1/AJS3 サービスが停止していることを確認する。
2. jpqexport コマンドで QUEUE ジョブ, サブミットジョブの実行環境の定義情報を退避する。

Windows の場合

```
jqpexport [-mh 論理ホスト名] -dt isam -co jpqsetup.conf※
```

UNIX の場合

```
/opt/jp1ajs2/bin/jqpexport [-mh 論理ホスト名] -dt isam -co jpqsetup.conf※
```

ファイル名は任意ですが、管理のため jpqsetup.conf を使用することを推奨します。

注※

「-mh 論理ホスト名」は使用環境に応じて指定してください。

なお、ISAM ファイルの破壊状況によっては、jqpexport コマンドによるアクセスもエラーになる場合があります。QUEUE ジョブ, サブミットジョブの実行環境構成定義ファイル (jqpsetup.conf) のバックアップがある場合はこれを使用してください。バックアップがない場合は、マニュアル「JP1/Automatic Job Management System 3 コマンドリファレンス 4. 特別な運用で使用するコマンド jpqimport」に記載されている QUEUE ジョブ, サブミットジョブの実行環境構成定義ファイルを作成してください。

3. QUEUE ジョブ, サブミットジョブの実行環境のデータベース格納ディレクトリ配下のファイルと一時ファイルを削除する。

Windows の場合

```
del QUEUE ジョブ, サブミットジョブの実行環境データベース格納ディレクトリ¥*※1
```

```
del QUEUE ジョブ, サブミットジョブの実行環境マネージャプロセス実行時のワークディレクトリ¥M_JPQ*※2
```

UNIX の場合

```
rm QUEUE ジョブ, サブミットジョブの実行環境データベース格納ディレクトリ/*※1
```

```
rm QUEUE ジョブ, サブミットジョブの実行環境マネージャプロセス実行時のワークディレクトリ/M_JPQ*※2
```

注※1

「QUEUE ジョブ, サブミットジョブの実行環境データベース格納ディレクトリ」は、[{JP1_DEFAULT|論理ホスト名}¥JP1NBQMANAGER¥Database]の環境設定パラメータ DatabasePath に指定したフォルダです。環境設定パラメータ DatabasePath のデフォルト値などの詳細については、マニュアル「JP1/Automatic Job Management System 3 構築ガイド 20.5.2(3) DatabasePath」を参照してください。

注※2

「QUEUE ジョブ, サブミットジョブの実行環境マネージャープロセス実行時のワークディレクトリ」は, [JP1_DEFAULT|論理ホスト名]¥JP1NBQMANAGER¥Process]の環境設定パラメーターWorkPathに指定したフォルダです。環境設定パラメーターWorkPathのデフォルト値などの詳細については, マニュアル「JP1/Automatic Job Management System 3 構築ガイド 20.5.2(1) WorkPath (マネージャープロセス用)」を参照してください。

4. jpqimport コマンドで, 手順 2 で退避したファイルを QUEUE ジョブ, サブミットジョブの実行環境の定義情報として ISAM ファイルを再作成する。

Windows の場合

```
jqpimport [-mh 論理ホスト名] -dt isam -ci jqpsetup.conf※
```

UNIX の場合

```
/opt/jp1ajs2/bin/jqpimport [-mh 論理ホスト名] -dt isam -ci jqpsetup.conf※
```

注※

「-mh 論理ホスト名」は使用環境に応じて指定してください。

5. jpqimport コマンド実行時に出力されるメッセージを確認して, ISAM ファイルの再作成に成功しているかどうか確認する。

jqpimport コマンドが正常に終了していないと, JP1/AJS3 サービスが起動できません。

なお, 不明な場合は, 再度手順 2 の jpqexport コマンドで定義情報を出力し, 再作成前に出力した定義情報とエージェント定義およびキュー定義について差異がないかを確認してください。

6. JP1/AJS3 サービスを再起動する。

jqpexport, jqpimport コマンドの詳細については, マニュアル「JP1/Automatic Job Management System 3 コマンドリファレンス 2. セットアップコマンド」またはマニュアル「JP1/Automatic Job Management System 3 コマンドリファレンス 4. 特別な運用で使用するコマンド」を参照してください。

jbsgetcnf コマンドの詳細については, マニュアル「JP1/Base 運用ガイド」を参照してください。

2.12 JP1/AJS3 - View でスケジューラーサービスが表示されない場合の 対処

JP1/AJS3 - View でスケジューラーサービスが表示されない場合の対処方法について説明します。

スケジューラーサービスの参照制限を有効にしている環境で、スケジューラーサービスが意図したとおりに表示されない場合、JP1/AJS3 - Manager で設定が誤っているおそれがあります。JP1/AJS3 - Manager で次の設定を確認してください。

- ルートジョブグループに JP1 資源グループを設定しているか確認してください。設定していない場合は、`ajschange` コマンドで適切な JP1 資源グループを設定してください。
- ルートジョブグループに設定した JP1 資源グループに、ログインした JP1 ユーザーの参照権限があるか確認してください。
- スケジューラーサービスを構成する次のディレクトリに、ログインした JP1 ユーザーにマッピングされている OS ユーザーがアクセスできるか確認してください。
 - データベースディレクトリ
 - テンポラリーディレクトリ
 - ジョブ情報ディレクトリ
 - 退避情報ディレクトリ

2.13 JP1/AJS3 のインストール・セットアップ後の仮想マシン複製時のトラブルへの対処

JP1/AJS3 のインストール・セットアップ後に仮想マシンを複製した場合のトラブルへの対処方法を次に示します。

2.13.1 JP1/AJS3 サービス起動時にジョブ、ジョブネット、プロセス、または組み込み DB が異常終了したときの対処方法

JP1/AJS3 サービス起動時にジョブ、ジョブネット、プロセス、または組み込み DB が異常終了したときの対処方法を説明します。

(1) 複製先の仮想マシンで JP1/AJS3 サービス起動時に、ajsinetd プロセスが異常終了する

ajsinetd プロセスが異常終了して、メッセージ KAVS1007-E が出力される場合、複製先の仮想マシン上で自ホストの IP アドレス解決に失敗しているおそれがあります。次の手順を実施してください。

1. 統合トレースログのエラーメッセージを確認する。
2. 複製先の仮想マシンのホスト名を正しく設定する。正しく設定している場合は、複製先の仮想マシン上で自ホストの名前解決ができるようにする。

(2) 複製先の仮想マシンで JP1/AJS3 サービス起動時に、ジョブまたはジョブネットが異常終了する

ジョブまたはジョブネットが異常終了して、メッセージ KAVS0265-E、KAVS0262-E が出力される場合、複製元の仮想マシンでジョブ実行中に JP1/AJS3 サービスを終了し、コールドスタートをしなかったおそれがあります。次の手順を実施してください。

1. 統合トレースログのエラーメッセージを確認する。
2. 複製先の仮想マシンで JP1/AJS3 サービスを停止する。
3. JP1/AJS3 サービスをコールドスタートで再起動する。

(3) 複製先の仮想マシンで JP1/AJS3 サービス起動時に、組み込み DB が異常終了する

組み込み DB が異常終了して、メッセージ KFPU00219-E が出力される場合、組み込み DB システム共通定義ファイルの定義が正しくないおそれがあります。次の手順を実行してください。

1. メッセージ KFPU00219-E の内容から、定義が誤っている個所を特定する。
2. 組み込み DB システム共通定義ファイルを修正する。
3. JP1/AJS3 サービスを再起動する。

2.13.2 複製先の仮想マシンで JP1/AJS3 サービス起動時にエラーメッセージまたは警告メッセージが出力されたときの対処方法

JP1/AJS3 サービス起動時にエラーメッセージまたは警告メッセージが出力されたときの対処方法を説明します。

(1) 複製先の仮想マシンで JP1/AJS3 サービス起動時に、イベント・アクション制御エージェントプロセスがエラーメッセージを出力する

JP1/AJS3 サービス起動時にメッセージ KAVT0512-E が出力される場合、複製元の仮想マシンで、エージェントプロセスが記憶するマネージャーホスト名が削除されなかったおそれがあります。次の手順を実施してください。

1. JP1/AJS3 サービスを停止する。
2. 複製先の仮想マシンで `jpoagoec` コマンドを実行し、エージェントプロセスが記憶するマネージャーホスト名を削除する。
3. JP1/AJS3 サービスを再起動する。

(2) 複製先の仮想マシンで JP1/AJS3 サービス起動時に、syslog またはイベントログに警告メッセージが出力される

JP1/AJS3 サービス起動時にメッセージ KFPS00615-W が出力される場合、組み込み DB システム共通定義ファイルの設定が正しくないおそれがあります。次の手順を実施してください。

1. syslog またはイベントログのメッセージを確認する。
2. JP1/AJS3 サービスを停止する。
3. 組み込み DB システム共通定義ファイルの設定を確認し、修正する。
4. JP1/AJS3 サービスを再起動する。

2.14 SSL 通信時のトラブルへの対処

SSL 通信時のトラブルへの対処方法を次に示します。

2.14.1 SSL 通信を有効にすると JP1/AJS3 サービスの起動に失敗する場合の対処方法

SSL 通信の設定や、サーバ証明書、秘密鍵、またはルート証明書の配置に誤りがあるおそれがあります。

- メッセージ KAVS8204-E が出力される場合、JP1/Base の共通定義情報の指定に誤りがあります。JP1/Base の共通定義情報を見直してから、JP1/AJS3 サービスを起動してください。
JP1/Base の共通定義情報については、マニュアル「JP1/Base 運用ガイド」を参照してください。
- メッセージ KAVS8201-E～KAVS8203-E のどれかが出力される場合、サーバ証明書、秘密鍵、またはルート証明書の配置に誤りがあります。サーバ証明書、秘密鍵、およびルート証明書の配置を見直してから、JP1/AJS3 サービスを起動してください。

SSL 通信の設定方法については、マニュアル「JP1/Automatic Job Management System 3 構築ガイド 21.4 SSL を利用した通信の設定」を参照してください。

2.14.2 統合トレースログに KNAC0610-W, KAVU2252-W, KAVT0417-W, または KAVT0995-W のどれかが出力される

接続先ホストが使用しているサーバ証明書の有効期限が切れています。サーバ証明書を再取得して、配置済みのサーバ証明書と入れ替えてください。

付録

付録 A ファイルおよびディレクトリ一覧

JP1/AJS3 シリーズプログラムのファイルおよびディレクトリ名を、プログラムごとに記載します。

付録 A.1 JP1/AJS3 - Manager のファイルおよびディレクトリ一覧

JP1/AJS3 - Manager のファイルとディレクトリを、OS ごとに示します。

(1) Windows の場合

Windows 版 JP1/AJS3 - Manager のファイルとフォルダを、使用目的ごとに表に示します。

補足事項

ログのファイルおよびディレクトリ一覧については、「1.2.4 ログファイルおよびディレクトリ一覧」を参照してください。

表の見方

- ファイルおよびディレクトリ一覧の各表では、次の略称を使用しています。

略称	略称の示すフォルダ
<i>Mgr_Path</i>	JP1/AJS3 - Manager のインストール先フォルダ
<i>Mgr_Data_Path</i>	インストール先フォルダによって異なります。 インストール先フォルダがデフォルトまたはシステムで保護されたフォルダ配下の場合 %ALLUSERSPROFILE%\Hitachi\JP1\JP1_DEFAULT\JP1AJS2 「システムで保護されたフォルダ」とは、次のパスを指します。 <ul style="list-style-type: none">「システムドライブ\Windows」配下「システムドライブ\Program Files」配下「システムドライブ\Program Files (x86)」配下 インストール先フォルダが上記以外の場合 JP1/AJS3 - Manager のインストール先フォルダ
<i>Embdb_Path</i>	組み込み DB 運用ディレクトリ 組み込み DB 運用ディレクトリについては、マニュアル「JP1/Automatic Job Management System 3 設計ガイド (システム構築編) 2.6.4 JP1/AJS3 でセットアップされるデータベース設定」を参照してください。

- 「%ALLUSERSPROFILE%」のデフォルトは「システムドライブ\ProgramData」です。
- JP1/AJS3 - Manager のインストール先フォルダは、デフォルトでは「システムドライブ\Program Files (x86)\HITACHI\jp1ajs2」です。
- JP1/Base のインストール先フォルダは、デフォルトでは「システムドライブ\Program Files (x86)\HITACHI\jp1base」です。
- 「*」は任意の一文字以上の文字例を示します。

(a) 共通のファイルおよびフォルダ

表 A-1 ユーザーが変更できるファイル一覧 (Windows 版 JP1/AJS3 - Manager)

内容	ファイル名
JP1/AJS3 用 起動プロセス 定義ファイル	<ul style="list-style-type: none"> • <i>Mgr_Path</i>¥conf¥jp1ajs_spm�.conf • <i>Mgr_Path</i>¥conf¥jp1ajs_dbmd.conf • <i>Mgr_Path</i>¥conf¥jp1ajs_hstd.conf • <i>Mgr_Path</i>¥conf¥jp1ajs_agtd.conf • <i>Mgr_Path</i>¥conf¥jp1ajs_schd.conf
JP1/AJS3 用 拡張起動プロ セス定義ファ イル	<ul style="list-style-type: none"> • <i>Mgr_Path</i>¥conf¥jp1ajs_service_0700.conf • <i>Mgr_Path</i>¥conf¥jp1ajs_dbmd_0700.conf • <i>Mgr_Path</i>¥conf¥jp1ajs_hstd_0700.conf • <i>Mgr_Path</i>¥conf¥jp1ajs_agtd_0700.conf • <i>Mgr_Path</i>¥conf¥jp1ajs_schd_0700.conf
JP1/AJS3 用 システム管理 イベント定義 ファイル	<ul style="list-style-type: none"> • <i>Mgr_Path</i>¥conf¥jp1ajs_param.conf
JP1/AJS3 用 起動前プロセ ス定義ファ イル	<ul style="list-style-type: none"> • <i>Mgr_Path</i>¥conf¥jp1ajs_spm�_pre.conf
QUEUE ジョ ブ, サブミッ トジョブの実 行環境構成定 義ファイル	<ul style="list-style-type: none"> • <i>Mgr_Path</i>¥conf¥jppqsetup.conf
JP1/AJS3 - View のウィ ンドウのメ ニューを不活 性にするカス タマイズファ イル※1	<ul style="list-style-type: none"> • <i>Mgr_Data_Path</i>¥conf¥profiles¥JP1 ユーザー名¥jajsDisableMenu
実行許可コマ ンド設定ファ イル※2	<ul style="list-style-type: none"> • <i>Mgr_Data_Path</i>¥conf¥profiles¥(jajsExecutableCommand)¥jajsExecutableCommand • <i>Mgr_Data_Path</i>¥conf¥profiles¥(jajsExecutableCommand)¥JP1 ユーザー名¥jajsExecutableCommand
組み込み DB のシステム共 通定義※3	<ul style="list-style-type: none"> • <i>Embdb_Path</i>¥conf¥pdsys
組み込み DB のシングル サーバ定義※3	<ul style="list-style-type: none"> • <i>Embdb_Path</i>¥conf¥ajs2

注

論理ホストの場合は、「Mgr_Path」を次に示すフォルダに置き換えてください。

共有フォルダ名¥jp1ajs2

注※1

JP1/AJS3 - View のメニューを不活性にする場合に、ユーザーが作成するファイルです。このファイルの詳細については、マニュアル「JP1/Automatic Job Management System 3 操作ガイド 11.3.9 特定のメニューを不活性にする」を参照してください。

注※2

JP1/AJS3 - View で JP1/AJS3 のコマンドを実行できるようにする場合に、ユーザーが作成するファイルです。このファイルの詳細については、マニュアル「JP1/Automatic Job Management System 3 操作ガイド 11.3.18 JP1/AJS3 のコマンドを実行できるようにする」を参照してください。

注※3

詳細については、マニュアル「JP1/Automatic Job Management System 3 構築ガイド 23.1 組み込み DB を使用するための準備」を参照してください。

表 A-2 ユーザーが参照できるファイルおよびフォルダ一覧 (Windows 版 JP1/AJS3 - Manager)

内容	ファイル名・フォルダ名
実行ファイル格納フォルダ	• Mgr_Path¥bin¥
ライブラリーファイル格納フォルダ	• Mgr_Path¥lib¥
環境設定ファイル格納フォルダ	• Mgr_Path¥conf¥※
Readme ファイル	• Mgr_Path¥Readme_ja.txt • Mgr_Path¥Readme_en.txt
バージョン情報ファイル	• Mgr_Path¥Version.txt
ツールファイル格納フォルダ	• Mgr_Path¥tools¥
ヘッダーファイル格納フォルダ	• Mgr_Path¥include

注※

論理ホストの場合は、「Mgr_Path」を次に示すフォルダに置き換えてください。

共有フォルダ名¥jp1ajs2

表 A-3 ユーザーが参照、または変更する必要のないファイルおよびフォルダ一覧 (Windows 版 JP1/AJS3 - Manager)

内容	ファイル名・フォルダ名
ジョブ情報格納フォルダ	• Mgr_Data_Path¥jobinf¥
JP1/AJS3 用データベース格納フォルダ	• Mgr_Data_Path¥database¥

内容	ファイル名・フォルダ名
ジョブ・ジョブネット情報格納フォルダ	• <i>Mgr_Data_Path</i> ¥database¥schedule¥
キュー情報データベース格納フォルダ	• <i>Mgr_Data_Path</i> ¥database¥queue¥
ジョブ・ジョブネット情報退避先フォルダ	• <i>Mgr_Data_Path</i> ¥backup¥schedule¥
JP1/AJS3 用システムファイルフォルダ	• <i>Mgr_Data_Path</i> ¥sys¥
イベント・アクション制御エージェント用システムファイルフォルダ	• <i>Mgr_Data_Path</i> ¥sys¥infoagt
イベント・アクション制御マネージャ用情報格納フォルダ	• <i>Mgr_Data_Path</i> ¥sys¥schedule¥スケジューラサービス名¥infodir¥
JP1/AJS3 用作業ファイル格納フォルダ	• <i>Mgr_Data_Path</i> ¥tmp¥
製品情報ファイル格納フォルダ	• システムドライブ¥Program Files (x86)¥HITACHI¥jp1common¥JP1AJS2
Outlook を使用しないメール送信用プロファイル格納フォルダ	• プロファイル格納フォルダ※1¥sys¥prf
JP1/AJS3 Autonomous Agent サービス, JP1/AJS3 Autonomous Agent Messenger サービスの使用ファイル格納フォルダ	• <i>Mgr_Path</i> ¥embsch¥ • %ALLUSERSPROFILE%¥Hitachi¥JP1¥JP1_DEFAULT¥JP1AJS2¥embsch¥
組み込み DB のファイルおよびフォルダ※2	表 A-4 を参照してください。

注

論理ホストの場合は、[*Mgr_Data_Path*] を次に示すフォルダに置き換えてください。

共有フォルダ名¥jp1ajs2

注※1

「プロファイル格納フォルダ」の部分は、定義キー[{JP1_DEFAULT|論理ホスト名}¥JP1AOMAGENT]の環境設定パラメーター*WaitInfFileOutDir* に設定している値に置き換えてください。環境設定パラメーター*WaitInfFileOutDir* については、マニュアル「JP1/Automatic Job Management System 3 構築ガイド 20.6.2(14) *WaitInfFileOutDir* (エージェントプロセス用)」を参照してください。

注※2

組み込み DB のシステム共通定義と組み込み DB のシングルサーバ定義は除きます。

表 A-4 組み込み DB のファイルおよびフォルダ一覧 (Windows 版)

内容	ファイル名・フォルダ名
実行ファイル格納フォルダ	• <i>Embdb_Path</i> ¥bin

内容	ファイル名・フォルダ名
ライブラリーファイル格納フォルダ	• <i>Embdb_Path</i> %lib
実行ファイル・ライブラリー格納フォルダ	• <i>Embdb_Path</i> %client
トラブルシュート情報格納フォルダ	• <i>Embdb_Path</i> %spool
組み込み DB 作業フォルダ	• <i>Embdb_Path</i> %tmp
システム定義ファイル格納フォルダ	• <i>Embdb_Path</i> %conf
クライアント環境定義ファイル格納フォルダ	• <i>Embdb_Path</i> %conf%emb
組み込み DB 設定ファイル格納フォルダ	• <i>Embdb_Path</i> %conf%ajsdbst
組み込み DB 使用ファイル格納フォルダ	• <i>Embdb_Path</i> %.dbenv
	• <i>Embdb_Path</i> %UXPLDIR
データ領域ディレクトリ	• <i>Embdb_Path</i> %dbarea*
システムファイル領域ディレクトリ	• <i>Embdb_Path</i> %dbarea*
作業領域ディレクトリ	• <i>Embdb_Path</i> %dbarea*

注※

インストール時のセットアップ処理，または各種セットアップコマンドを実行した場合に，自動的に構築されるフォルダです。セットアップコマンドのオプションによってはフォルダが異なります。詳細については，マニュアル「JP1/Automatic Job Management System 3 設計ガイド（システム構築編）2.6.4 JP1/AJS3 でセットアップされるデータベース設定」を参照してください。

(b) JP1/Cm2/NNM または HP NNM 連携使用時のファイル

表 A-5 ユーザーが変更できるファイル一覧（Windows 版 JP1/AJS3 - Manager・JP1/Cm2/NNM または HP NNM 連携使用時）

内容	ファイル名
JP1/Cm2/NNM または HP NNM 連携用定義ファイル	• <i>Mgr_Path</i> %conf%jpoov.conf（環境定義）

注

論理ホストの場合は，[Mgr_Path] を次に示すフォルダに置き換えてください。

共有フォルダ名%jp1ajs2

表 A-6 ユーザーが参照，または変更する必要のないファイル一覧（Windows 版 JP1/AJS3 - Manager・JP1/Cm2/NNM または HP NNM 連携使用時）

内容	ファイル名
JP1/Cm2/NNM または HP NNM 連携用定義ファイル	<ul style="list-style-type: none"> • <i>Mgr_Path</i>%bin%jp1ajs2_f （フィールド定義） • <i>Mgr_Path</i>%bin%snmpd.extend

内容	ファイル名
JP1/Cm2/NNM または HP NNM 連携用定義ファイル	(MIB オブジェクト定義) • <i>Mgr_Path</i> ¥bin¥jp1ajs2_j (日本語用メニュー定義) • <i>Mgr_Path</i> ¥bin¥jp1ajs2_e (英語用メニュー定義) • <i>Mgr_Path</i> ¥bin¥trpcajs2j (日本語用イベント定義) • <i>Mgr_Path</i> ¥bin¥trpcajs2e (英語用イベント定義) • <i>Mgr_Path</i> ¥bin¥trustajs2 (トラステッドコマンド定義)

補足事項

クラスタ運用時でも、ログはデフォルトのフォルダに出力されます。

(c) メール連携使用時のファイルおよびフォルダ

表 A-7 ユーザーが参照、および運用時に削除管理する必要があるファイルおよびフォルダ一覧 (Windows 版 JP1/AJS3 - Manager ・ メール連携使用時)

内容	ファイル名・フォルダ名
デフォルトの引き継ぎ情報ファイル※1	• <i>Mgr_Data_Path</i> ¥tmp¥infodir¥mail¥JP0*.tmp
メール受信監視ジョブの引き継ぎ情報のメールに添付されていたファイルの格納フォルダ※2	• <i>Mgr_Data_Path</i> ¥tmp¥infodir¥mail¥*_**¥

注

論理ホストの場合は、「*Mgr_Data_Path*」を次に示すフォルダに置き換えてください。

共有フォルダ名

注※1

環境設定パラメーター*EvjobInfFile* を指定しなかった場合に、このファイルが使用されます。

環境設定パラメーター*EvjobInfFile* を指定した場合は、指定したフォルダ下に「mail」フォルダが作成され、そのフォルダが使用されます。

イベント・ジョブ情報引き継ぎディレクトリに格納する受信したメールに添付されていたファイルの一覧の詳細については、マニュアル「JP1/Automatic Job Management System 3 連携ガイド 2.6.3 メール受信監視ジョブのリストファイル (Windows 限定)」を参照してください。

注※2

このフォルダ下に、メールに添付されていたファイルが、添付時のファイル名で格納されます。

表 A-8 ユーザーが参照できるフォルダー一覧 (Windows 版 JP1/AJS3 - Manager ・ メール連携
使用時)

内容	フォルダ名
デフォルトの引き継ぎ情報ファイルフォルダ※	• <i>Mgr_Data_Path</i> ¥tmp¥infodir¥mail¥

注
論理ホストの場合は、[Mgr_Data_Path] を次に示すフォルダに置き換えてください。
共有フォルダ名

注※
環境設定パラメーターEvjobInfFile を指定しなかった場合に、このフォルダが使用されます。
環境設定パラメーターEvjobInfFile を指定した場合は、指定したフォルダ下に「mail」フォルダが作成され、そのフォルダが使用されます。

(d) PC ジョブ使用時のファイルおよびフォルダ

表 A-9 ユーザーが参照、および運用時に削除管理する必要があるファイル一覧 (Windows 版
JP1/AJS3 - Manager ・ PC ジョブ使用時)

内容	ファイル名
標準出力ファイル※1	ユーザー任意
標準エラー出力ファイル※2	ユーザー任意

注※1
[詳細定義－ [PC Job]] ダイアログボックスの [定義] タブにある [標準出力ファイル名] を指定した場合に、このファイルが使用されます。[標準出力ファイル名] の [追加書き] をチェックした場合、単調増加します。

注※2
[詳細定義－ [PC Job]] ダイアログボックスの [定義] タブにある [標準エラー出力ファイル名] を指定した場合に、このファイルが使用されます。[標準エラー出力ファイル名] の [追加書き] をチェックした場合、単調増加します。

(e) HTTP 接続ジョブ使用時のファイルおよびフォルダ

表 A-10 ユーザーが参照、および運用時に削除管理する必要があるファイル一覧 (Windows
版 JP1/AJS3 - Manager ・ HTTP 接続ジョブ使用時)

内容	ファイル名
標準出力ファイル※1	ユーザー任意
標準エラー出力ファイル※2	ユーザー任意

注※1

[詳細定義－ [HTTP 接続ジョブ]] ダイアログボックスの [定義] タブにある [標準出力ファイル名] を指定した場合に、このファイルが使用されます。

注※2

[詳細定義－ [HTTP 接続ジョブ]] ダイアログボックスの [定義] タブにある [標準エラー出力ファイル名] を指定した場合に、このファイルが使用されます。

(f) JP1/AJS3 Console Manager 使用時のファイルおよびフォルダ

JP1/AJS3 Console Manager 使用時のファイルおよびフォルダ一覧の各表では、次の略称を使用しています。

- *CM_Path* : JP1/AJS3 - Manager のインストール先フォルダ $\%cm$
- *CM_Data_Path* : インストール先フォルダによって異なります。

インストール先フォルダがデフォルトまたはシステムで保護されたフォルダ配下の場合

$\%ALLUSERSPROFILE\%Hitachi\JP1\JP1_DEFAULT\JP1AJS2CM$

「システムで保護されたフォルダ」とは、次のパスを指します。

- 「システムドライブ $\%Windows$ 」配下
- 「システムドライブ $\%Program Files$ 」配下
- 「システムドライブ $\%Program Files (x86)$ 」配下

インストール先フォルダが上記以外の場合

JP1/AJS3 - Manager のインストール先フォルダ $\%cm$

「 $\%ALLUSERSPROFILE\%$ 」は、デフォルトでは「システムドライブ $\%ProgramData$ 」です。

表 A-11 ユーザーが作成・変更できるファイル一覧 (Windows 版 JP1/AJS3 - Manager ・ JP1/AJS3 Console Manager 使用時)

内容	ファイル名・フォルダ名
JP1/AJS3 Console Manager 環境設定ファイル	• <i>CM_Path</i> $\%conf\%ajs2cm.conf$

表 A-12 ユーザーが参照できるファイルおよびフォルダ一覧 (Windows 版 JP1/AJS3 - Manager ・ JP1/AJS3 Console Manager 使用時)

内容	ファイル名・フォルダ名
実行ファイル格納フォルダ	• <i>CM_Path</i> $\%bin\%$
環境設定ファイル格納フォルダ	• <i>CM_Path</i> $\%conf\%$
JP1/AJS3 Console Manager 環境設定モデルファイル	• <i>CM_Path</i> $\%conf\%ajs2cm.conf.model$

表 A-13 ユーザーが参照または変更する必要のないファイルおよびフォルダー一覧 (Windows 版 JP1/AJS3 - Manager・JP1/AJS3 Console Manager 使用時)

内容	ファイル名・フォルダ名
データディレクトリ	<ul style="list-style-type: none"> • <i>CM_Data_Path</i>※¥database
JP1/AJS3 Console Manager 環境設定モデルファイル 作成用ファイル	<ul style="list-style-type: none"> • <i>CM_Path</i>¥conf¥ajs2cm.conf.model.model

注※

論理ホストの場合は、「*CM_Data_Path*」を次に示すフォルダに置き換えてください。

共有フォルダ名¥jp1ajs2cm

表 A-14 ログファイル格納フォルダー一覧 (Windows 版 JP1/AJS3 - Manager・JP1/AJS3 Console Manager 使用時)

内容	ファイル名・フォルダ名
ログファイル格納フォルダ	<ul style="list-style-type: none"> • <i>CM_Data_Path</i>¥log

(g) JP1/AJS3 Console Agent 使用時のファイルおよびフォルダ

表 A-15 JP1/AJS3 Console Agent のファイルおよびフォルダー一覧 (Windows 版 JP1/AJS3 - Manager・JP1/AJS3 Console Agent 使用時)

内容	ファイル名・フォルダ名
JP1/AJS3 Console Agent 用の一時ファイル格納フォルダ	<ul style="list-style-type: none"> • <i>Mgr_Data_Path</i>¥tmp¥console_agent
実行ファイル	<ul style="list-style-type: none"> • <i>Mgr_Path</i>¥bin¥ajsca*.exe※¹ • <i>Mgr_Path</i>¥bin¥ajsca*.dll※¹ • <i>Mgr_Path</i>¥bin¥jp1ajs2camsg*.dll※¹
JP1/AJS3 Console Agent 環境設定モデルファイル	<ul style="list-style-type: none"> • <i>Mgr_Path</i>¥conf¥ajs2ca.conf.model
JP1/AJS3 Console Agent 環境設定ファイル	<ul style="list-style-type: none"> • <i>Mgr_Path</i>¥conf¥ajs2ca.conf
ログファイル格納フォルダ	<ul style="list-style-type: none"> • <i>Mgr_Data_Path</i>¥log
JP1/AJS3 Console Manager 環境設定モデルファイル 作成用ファイル	<ul style="list-style-type: none"> • <i>Mgr_Path</i>¥conf¥ajs2ca.conf.model.model※²

注※1

「*」には、任意の文字列が入ります。

注※2

このファイルは変更しないでください。

注意事項

ファイルのモードは、EVERYONE フルコントロールモードで作成されます。

(2) UNIX の場合

UNIX 版 JP1/AJS3 - Manager のファイルとディレクトリを、使用目的ごとに表に示します。

補足事項

ログのファイルおよびディレクトリ一覧については、「[1.2.4 ログファイルおよびディレクトリ一覧](#)」を参照してください。

表の見方

- 「*」は任意の一文字以上の文字列を示します。
- 「*Embldb_Path*」は組み込み DB 運用ディレクトリを示します。組み込み DB 運用ディレクトリについては、マニュアル「JP1/Automatic Job Management System 3 設計ガイド（システム構築編） 2.6.4 JP1/AJS3 でセットアップされるデータベース設定」を参照してください。

(a) 共通のファイルおよびディレクトリ

表 A-16 ユーザーが変更できるファイル一覧（UNIX 版 JP1/AJS3 - Manager）

内容	ファイル名
JP1/AJS3 用 起動プロセス 定義ファイル	<ul style="list-style-type: none">• /etc/opt/jp1ajs2/conf/jp1ajs_spmd.conf• /etc/opt/jp1ajs2/conf/jp1ajs_dbmd.conf• /etc/opt/jp1ajs2/conf/jp1ajs_hstd.conf• /etc/opt/jp1ajs2/conf/jp1ajs_agtd.conf• /etc/opt/jp1ajs2/conf/jp1ajs_schd.conf
JP1/AJS3 用 拡張起動プロ セス定義ファ イル	<ul style="list-style-type: none">• /etc/opt/jp1ajs2/conf/jp1ajs_service_0700.conf• /etc/opt/jp1ajs2/conf/jp1ajs_dbmd_0700.conf• /etc/opt/jp1ajs2/conf/jp1ajs_hstd_0700.conf• /etc/opt/jp1ajs2/conf/jp1ajs_agtd_0700.conf• /etc/opt/jp1ajs2/conf/jp1ajs_schd_0700.conf
JP1/AJS3 用 システム管理 イベント定義 ファイル	<ul style="list-style-type: none">• /etc/opt/jp1ajs2/conf/jp1ajs_param.conf
JP1/AJS3 用 起動前プロセ ス定義ファ イル	<ul style="list-style-type: none">• /etc/opt/jp1ajs2/conf/jp1ajs_spmd_pre.conf
スケジュー ラーサービス 環境設定ファ イル	<ul style="list-style-type: none">• /etc/opt/jp1ajs2/conf/AJS3_Schedule.conf

内容	ファイル名
ジョブ実行環境設定ファイル	<ul style="list-style-type: none"> • /etc/opt/jp1ajs2/conf/AJS3_Queue.conf
イベント・アクション実行環境設定ファイル	<ul style="list-style-type: none"> • /etc/opt/jp1ajs2/conf/AJS3_EVAction.conf
スケジューラサービス環境設定ファイル (JP1/AJS2 - Manager 互換) ※1	<ul style="list-style-type: none"> • /etc/opt/jp1ajs2/conf/Schedule.conf
ジョブ実行環境設定ファイル (JP1/AJS2 - Manager 互換) ※1	<ul style="list-style-type: none"> • /etc/opt/jp1ajs2/conf/Queue.conf
QUEUE ジョブ, サブミットジョブの実行環境構成定義ファイル	<ul style="list-style-type: none"> • /etc/opt/jp1ajs2/conf/jpqsetup.conf
イベント・アクション実行環境設定ファイル (JP1/AJS2 - Manager 互換) ※1	<ul style="list-style-type: none"> • /etc/opt/jp1ajs2/conf/EVAction.conf
キューレスジョブ実行環境設定ファイル	<ul style="list-style-type: none"> • /etc/opt/jp1ajs2/conf/Queueless.conf
JP1/AJS3 - View のウィンドウのメニューを不活性にするカスタマイズファイル※2	<ul style="list-style-type: none"> • /etc/opt/jp1ajs2/conf/profiles/JP1 ユーザー名/jajsDisableMenu

内容	ファイル名
実行許可コマンド設定ファイル ^{※3}	<ul style="list-style-type: none"> • /etc/opt/jp1ajs2/conf/profiles/(jajsExecutableCommand)/jajsExecutableCommand • /etc/opt/jp1ajs2/conf/profiles/(jajsExecutableCommand)/JP1 ユーザー名/jajsExecutableCommand
組み込み DB のシステム共通定義 ^{※4}	<ul style="list-style-type: none"> • <i>Embdb_Path</i>/conf/pdsys
組み込み DB のシングルサーバ定義 ^{※4}	<ul style="list-style-type: none"> • <i>Embdb_Path</i>/conf/ajs2

注

論理ホストの場合は、「/etc/opt/jp1ajs2」を次に示すディレクトリに置き換えてください。

共有ディレクトリ名/jp1ajs2

注※1

JP1/AJS3 - Manager の新規インストール環境では存在しません。JP1/AJS2 - Manager 互換用の環境設定ファイルで、JP1/AJS3 - Manager の互換用 ISAM 構成の場合にだけ使用できます。JP1/AJS3 - Manager の標準構成では使用できません。

注※2

JP1/AJS3 - View のメニューを不活性にする場合に、ユーザーが作成するファイルです。このファイルの詳細については、マニュアル「JP1/Automatic Job Management System 3 操作ガイド 11.3.9 特定のメニューを不活性にする」を参照してください。

注※3

JP1/AJS3 - View で JP1/AJS3 のコマンドを実行できるようにする場合に、ユーザーが作成するファイルです。このファイルの詳細については、マニュアル「JP1/Automatic Job Management System 3 操作ガイド 11.3.18 JP1/AJS3 のコマンドを実行できるようにする」を参照してください。

注※4

詳細については、マニュアル「JP1/Automatic Job Management System 3 構築ガイド 23.1 組み込み DB を使用するための準備」を参照してください。

表 A-17 ユーザーが参照できるファイルおよびディレクトリ一覧 (UNIX 版 JP1/AJS3 - Manager)

内容	ファイル名・ディレクトリ名
実行ファイル格納ディレクトリ	<ul style="list-style-type: none"> • /opt/jp1ajs2/bin/
ライブラリーファイル格納ディレクトリ	<ul style="list-style-type: none"> • /opt/jp1ajs2/lib/
メッセージカタログ	<ul style="list-style-type: none"> • /opt/jp1ajs2/lib/nls/\$LANG
環境設定ファイル格納ディレクトリ	<ul style="list-style-type: none"> • /etc/opt/jp1ajs2/conf/※

内容	ファイル名・ディレクトリ名
ヘルプファイル格納ディレクトリ	• /opt/jp1ajs2/doc/
ツールファイル格納ディレクトリ	• /opt/jp1ajs2/tools/

注※

論理ホストの場合は、「/etc/opt/jp1ajs2」を次に示すディレクトリに置き換えてください。

共有ディレクトリ名/jp1ajs2

表 A-18 ユーザーが参照, または変更する必要のないファイルおよびディレクトリ一覧 (UNIX 版 JP1/AJS3 - Manager)

内容	ファイル名・ディレクトリ名
ジョブ情報格納ディレクトリ	• /var/opt/jp1ajs2/jobinf/
JP1/AJS3 用データベース格納ディレクトリ	• /var/opt/jp1ajs2/database/
ジョブ・ジョブネット情報格納ディレクトリ	• /var/opt/jp1ajs2/database/schedule/
キュー情報データベース格納ディレクトリ	• /var/opt/jp1ajs2/database/Queue/
ジョブ・ジョブネット情報退避先ディレクトリ	• /var/opt/jp1ajs2/backup/schedule/
JP1/AJS3 用システムファイルディレクトリ	• /var/opt/jp1ajs2/sys/
イベント・アクション制御エージェント用システムファイルディレクトリ	• /var/opt/jp1ajs2/sys/infoagt
イベント・アクション制御マネージャー用情報格納ディレクトリ	• /var/opt/jp1ajs2/sys/schedule/スケジューラーサービス名/infodir/
JP1/AJS3 作業ファイル格納ディレクトリ	• /var/opt/jp1ajs2/tmp/
JP1/AJS3 Autonomous Agent サービス, JP1/AJS3 Autonomous Agent Messenger サービスの使用ファイル格納ディレクトリ	• /opt/jp1ajs2/embsch/ • /var/opt/jp1ajs2/embsch/
組み込み DB のファイルおよびディレクトリ※	表 A-19 を参照してください。

注

論理ホストの場合は、「/var/opt/jp1ajs2」を次に示すディレクトリに置き換えてください。

共有ディレクトリ名/jp1ajs2

注※

組み込み DB のシステム共通定義と組み込み DB のシングルサーバ定義は除きます。

表 A-19 組み込み DB のファイルおよびディレクトリ一覧 (UNIX 版)

内容	ファイル名・フォルダ名
実行ファイル格納ディレクトリ	• <i>Embdb_Path</i> /bin
ライブラリーファイル格納ディレクトリ	• <i>Embdb_Path</i> /lib
実行ファイル・ライブラリー格納ディレクトリ	• <i>Embdb_Path</i> /client
トラブルシュート情報格納ディレクトリ	• <i>Embdb_Path</i> /spool
組み込み DB 作業ディレクトリ	• <i>Embdb_Path</i> /tmp
システム定義ファイル格納ディレクトリ	• <i>Embdb_Path</i> /conf
クライアント環境定義ファイル格納ディレクトリ	• <i>Embdb_Path</i> /conf/emb
組み込み DB 設定ファイル格納ディレクトリ	• <i>Embdb_Path</i> /conf/ajsdbst
組み込み DB 使用ファイル格納ディレクトリ	• <i>Embdb_Path</i> /conf/Inittab
	• <i>Embdb_Path</i> /.dbenv
	• /dev/HiRDB/pth
データ領域ディレクトリ	• <i>Embdb_Path</i> /dbarea*
システムファイル領域ディレクトリ	• <i>Embdb_Path</i> /dbarea*
作業領域ディレクトリ	• <i>Embdb_Path</i> /dbarea*

注※

インストール時のセットアップ処理、または各種セットアップコマンドを実行した場合に、自動的に構築されるディレクトリです。セットアップコマンドのオプションによってはディレクトリが異なります。詳細については、マニュアル「JP1/Automatic Job Management System 3 設計ガイド (システム構築編) 2.6.4 JP1/AJS3 でセットアップされるデータベース設定」を参照してください。

(b) JP1/Cm2/NNM または HP NNM 連携使用時のファイルおよびディレクトリ

表 A-20 ユーザーが変更できるファイル一覧 (UNIX 版 JP1/AJS3 - Manager ・ JP1/Cm2/NNM または HP NNM 連携使用時)

内容	ファイル名
JP1/Cm2/NNM または HP NNM 連携用定義ファイル	/etc/opt/jp1ajs2/conf/jpooov.conf (環境定義)

注

論理ホストの場合は、「/etc/opt/jp1ajs2」を次に示すディレクトリに置き換えてください。
共有ディレクトリ名/jp1ajs2

表 A-21 ユーザーが参照, または変更する必要のないファイルおよびディレクトリ一覧 (UNIX 版 JP1/AJS3 - Manager・JP1/Cm2/NNM または HP NNM 連携使用時)

内容	ファイル名・ディレクトリ名
JP1/Cm2/NNM または HP NNM 連携用 定義ディレクトリ	<ul style="list-style-type: none"> • /etc/opt/jp1ajs2/0V/
JP1/Cm2/NNM または HP NNM 連携用 定義ファイル	<ul style="list-style-type: none"> • /etc/opt/jp1ajs2/0V/jp1ajs2_f (フィールド定義) • /etc/opt/jp1ajs2/0V/snmpd.extend (MIB オブジェクト定義) • /etc/opt/jp1ajs2/0V/trustajs2 (トラステッドコマンド定義) • /etc/opt/jp1ajs2/0V/\$LANG/jp1ajs2 (メニュー定義) • /etc/opt/jp1ajs2/0V/\$LANG/trpcajs2 (イベント定義) • /etc/opt/jp1ajs2/0V/\$LANG/jajsovm.cat (メッセージカタログ)

(c) メール連携使用時のファイルおよびディレクトリ

表 A-22 ユーザーが参照, および運用時に削除管理する必要があるファイル一覧 (UNIX 版 JP1/AJS3 - Manager・メール連携使用時)

内容	ファイル名
デフォルトの引き継ぎ情報ファイル※1	• /var/opt/jp1ajs2/sys/infoagt/tmp/infodir/mail/MLDT*
メール連携用障害用メールファイル※2	• /var/opt/jp1ajs2/sys/infoagt/tmp/mail/errmail
メール連携用一時メールファイル※2	• /var/opt/jp1ajs2/tmp/mailbox/監視ユーザー名

注

論理ホストの場合は, 「/var/opt/jp1ajs2」を次に示すディレクトリに置き換えてください。

共有ディレクトリ名/jp1ajs2

注※1

環境設定パラメーターEvjobInfFileを指定しなかった場合に, このファイルが使用されます。

環境設定パラメーターEvjobInfFileを指定した場合は, 指定したディレクトリ下に「mail」ディレクトリが作成され, そのディレクトリが使用されます。

注※2

メール連携使用時に, 単調増加するファイルです。

表 A-23 ユーザーが参照できるディレクトリー一覧 (UNIX 版 JP1/AJS3 - Manager ・ メール連携使用時)

内容	ディレクトリ名
デフォルトの引き継ぎ情報ファイルディレクトリ※	• /var/opt/jp1ajs2/sys/infoagt/tmp/infodir/mail/
メール連携用一時メールファイルディレクトリ	• /var/opt/jp1ajs2/tmp/mailbox/

注

論理ホストの場合は、「/var/opt/jp1ajs2」を次に示すディレクトリに置き換えてください。

共有ディレクトリ名/jp1ajs2

注※

環境設定パラメーターEvjobInfFile を指定しなかった場合に、このディレクトリが使用されます。

環境設定パラメーターEvjobInfFile を指定した場合は、指定したディレクトリ下に「mail」ディレクトリが作成され、そのディレクトリが使用されます。

(d) UNIX ジョブ使用時のファイルおよびディレクトリ

表 A-24 ユーザーが参照、および運用時に削除管理する必要があるファイル一覧 (UNIX 版 JP1/AJS3 - Manager ・ UNIX ジョブ使用時)

内容	ファイル名
標準出力ファイル※1	ユーザー任意
標準エラー出力ファイル※2	ユーザー任意

注※1

[詳細定義－ [UNIX Job]] ダイアログボックスの [定義] タブにある [標準出力ファイル名] を指定した場合に、このファイルが使用されます。[標準出力ファイル名] の [追加書き] をチェックした場合、単調増加します。

注※2

[詳細定義－ [UNIX Job]] ダイアログボックスの [定義] タブにある [標準エラー出力ファイル名] を指定した場合に、このファイルが使用されます。[標準エラー出力ファイル名] の [追加書き] をチェックした場合、単調増加します。

(e) HTTP 接続ジョブ使用時のファイルおよびディレクトリ

表 A-25 ユーザーが参照、および運用時に削除管理する必要があるファイル一覧 (UNIX 版 JP1/AJS3 - Manager ・ HTTP 接続ジョブ使用時)

内容	ファイル名
標準出力ファイル※1	ユーザー任意

内容	ファイル名
標準エラー出力ファイル※2	ユーザー任意

注※1

[詳細定義－ [HTTP 接続ジョブ]] ダイアログボックスの [定義] タブにある [標準出力ファイル名] を指定した場合に、このファイルが使用されます。

注※2

[詳細定義－ [HTTP 接続ジョブ]] ダイアログボックスの [定義] タブにある [標準エラー出力ファイル名] を指定した場合に、このファイルが使用されます。

(f) JP1/AJS3 Console Manager 使用時のファイルおよびディレクトリ

表 A-26 ユーザーが作成・変更できるファイル一覧 (UNIX 版 JP1/AJS3 - Manager ・ JP1/AJS3 Console Manager 使用時)

内容	ファイル名・ディレクトリ名
JP1/AJS3 Console Manager 環境設定ファイル	<ul style="list-style-type: none"> • /etc/opt/jp1ajs2cm/conf/ajs2cm.conf

表 A-27 ユーザーが参照できるファイルおよびディレクトリ一覧 (UNIX 版 JP1/AJS3 - Manager ・ JP1/AJS3 Console Manager 使用時)

内容	ファイル名・ディレクトリ名
実行ファイル格納ディレクトリ	<ul style="list-style-type: none"> • /opt/jp1ajs2cm/bin/ • /opt/jp1ajs2cm/lib/
メッセージカタログ	<ul style="list-style-type: none"> • /opt/jp1ajs2cm/lib/nls/\$LANG
環境設定ファイル格納ディレクトリ	<ul style="list-style-type: none"> • /etc/opt/jp1ajs2cm/conf/
JP1/AJS3 Console Manager 環境設定モデルファイル	<ul style="list-style-type: none"> • /etc/opt/jp1ajs2cm/conf/ajs2cm.conf.model

表 A-28 ユーザーが参照または変更する必要のないファイルおよびディレクトリ一覧 (UNIX 版 JP1/AJS3 - Manager ・ JP1/AJS3 Console Manager 使用時)

内容	ファイル名・ディレクトリ名
データディレクトリ	<ul style="list-style-type: none"> • /var/opt/jp1ajs2cm/database

注

論理ホストの場合は、「/var/opt/jp1ajs2cm」を次に示すディレクトリに置き換えてください。
共有ディレクトリ名/jp1ajs2cm

表 A-29 ログファイル格納ディレクトリー一覧 (UNIX 版 JP1/AJS3 - Manager ・ JP1/AJS3 Console Manager 使用時)

内容	ファイル名・ディレクトリ名
ログファイル格納ディレクトリ	<ul style="list-style-type: none"> • /var/opt/jp1ajs2cm/log

(g) JP1/AJS3 Console Agent 使用時のファイルおよびディレクトリ

表 A-30 JP1/AJS3 Console Agent のファイルおよびディレクトリー一覧 (UNIX 版 JP1/AJS3 - Manager ・ JP1/AJS3 Console Agent 使用時)

内容	ファイル名・ディレクトリ名
JP1/AJS3 Console Agent 用の一時ファイル格納ディレクトリ	<ul style="list-style-type: none"> • /var/opt/jp1ajs2/tmp/console_agent
実行ファイル	<ul style="list-style-type: none"> • /opt/jp1ajs2/bin/ajsca*※ • /opt/jp1ajs2/bin/jp1ajs2casetup • /opt/jp1ajs2/lib/libAjsca*※
メッセージカタログ	<ul style="list-style-type: none"> • /opt/jp1ajs2cm/lib/nls/\$LANG
自動起動・終了スクリプト	<ul style="list-style-type: none"> • /etc/opt/jp1ajs2/jajsca_start.model • /etc/opt/jp1ajs2/jajsca_start • /etc/opt/jp1ajs2/jajsca_stop.model • /etc/opt/jp1ajs2/jajsca_stop
JP1/AJS3 Console Agent サービス起動・終了スクリプト	<ul style="list-style-type: none"> • /etc/opt/jp1ajs2/ajscainetd_startstop
JP1/AJS3 Console Agent 環境設定モデルファイル	<ul style="list-style-type: none"> • /etc/opt/jp1ajs2/conf/ajs2ca.conf.model
JP1/AJS3 Console Agent 環境設定ファイル	<ul style="list-style-type: none"> • /etc/opt/jp1ajs2/conf/ajs2ca.conf
ログファイル格納ディレクトリ	<ul style="list-style-type: none"> • /var/opt/jp1ajs2/log

注

「*」には、任意の文字列が入ります。

付録 A.2 JP1/AJS3 - Agent のファイルおよびディレクトリー一覧

JP1/AJS3 - Agent のファイルとディレクトリを、OS ごとに示します。

(1) Windows の場合

Windows 版 JP1/AJS3 - Agent のファイルとフォルダを、使用目的ごとに表に示します。

補足事項

ログのファイルおよびディレクトリ一覧については、「1.2.4 ログファイルおよびディレクトリ一覧」を参照してください。

表の見方

- ファイルおよびディレクトリ一覧の各表では、次の略称を使用しています。

- ・ *Agt_Path* : JP1/AJS3 - Agent のインストール先フォルダ
- ・ *Agt_Data_Path* : インストール先フォルダによって異なります。

インストール先フォルダがデフォルトまたはシステムで保護されたフォルダ配下の場合

`%ALLUSERSPROFILE%¥Hitachi¥JP1¥JP1_DEFAULT¥JP1AJS2`

「システムで保護されたフォルダ」とは、次のパスを指します。

- ・ 「システムドライブ¥Windows」配下
- ・ 「システムドライブ¥Program Files」配下
- ・ 「システムドライブ¥Program Files (x86)」配下

インストール先フォルダが上記以外の場合

JP1/AJS3 - Agent のインストール先フォルダ

- ・ 「%ALLUSERSPROFILE%」のデフォルトは「システムドライブ¥ProgramData」です。
- ・ JP1/AJS3 - Agent のインストール先フォルダは、デフォルトでは「システムドライブ¥Program Files (x86)¥HITACHI¥jp1ajs2」です。
- ・ JP1/Base のインストール先フォルダは、デフォルトでは「システムドライブ¥Program Files (x86)¥HITACHI¥jp1base」です。
- ・ 「*」は任意の文字を示します。

(a) 共通のファイルおよびフォルダ

表 A-31 ユーザーが変更できるファイル一覧 (Windows 版 JP1/AJS3 - Agent)

内容	ファイル名
JP1/AJS3 用起動プロセス定義ファイル	・ <i>Agt_Path</i> ¥conf¥jp1ajs_spmd.conf
JP1/AJS3 用拡張起動プロセス定義ファイル	・ <i>Agt_Path</i> ¥conf¥jp1ajs_service_0700.conf
JP1/AJS3 用システム管理イベント定義ファイル	・ <i>Agt_Path</i> ¥conf¥jp1ajs_param.conf

注

論理ホストの場合は、「*Agt_Path*」を次に示すフォルダに置き換えてください。

共有フォルダ名¥jp1ajs2

表 A-32 ユーザーが参照できるファイルおよびフォルダ一覧 (Windows 版 JP1/AJS3 - Agent)

内容	ファイル名・フォルダ名
実行ファイル格納フォルダ	• <i>Agt_Path</i> ¥bin¥
ライブラリーファイル格納フォルダ	• <i>Agt_Path</i> ¥lib¥
環境設定ファイル格納フォルダ	• <i>Agt_Path</i> ¥conf¥※
Readme ファイル	• <i>Agt_Path</i> ¥Readme_ja.txt • <i>Agt_Path</i> ¥Readme_en.txt
バージョン情報ファイル	• <i>Agt_Path</i> ¥Version.txt

注※

論理ホストの場合は、「*Agt_Path*」を次に示すフォルダに置き換えてください。

共有フォルダ名¥jp1ajs2

表 A-33 ユーザーが参照, または変更する必要のないファイルおよびフォルダ一覧 (Windows 版 JP1/AJS3 - Agent)

内容	ファイル名・フォルダ名
JP1/AJS3 用システムファイルフォルダ	• <i>Agt_Data_Path</i> ¥sys¥
イベント・アクション制御エージェント用システムファイルフォルダ	• <i>Agt_Data_Path</i> ¥sys¥infoagt
JP1/AJS3 用作業ファイル格納フォルダ	• <i>Agt_Data_Path</i> ¥tmp¥
製品情報ファイル格納フォルダ	• システムドライブ¥Program Files (x86)¥HITACHI¥jp1common¥JP1AJS2
Outlook を使用しないメール送信用プロファイル格納フォルダ	• プロファイル格納フォルダ¥*¥sys¥prf
JP1/AJS3 Autonomous Agent サービス, JP1/AJS3 Autonomous Agent Messenger サービスの使用ファイル格納フォルダ	• <i>Agt_Path</i> ¥embsch¥ • %ALLUSERSPROFILE¥Hi tachi¥JP1¥JP1_DEFAULT¥JP1AJS2¥embsch¥

注

論理ホストの場合は、「*Agt_Data_Path*」を次に示すフォルダに置き換えてください。

共有フォルダ名¥jp1ajs2

注※

「プロファイル格納フォルダ」の部分は、定義キー[{JP1_DEFAULT|論理ホスト名}¥JP1AOMAGENT]の環境設定パラメーターWaitInfFileOutDir に設定している値に置き換えてください。環境設定パラメーターWaitInfFileOutDir については、マニュアル「JP1/Automatic Job Management System 3 構築ガイド 20.6.2(14) WaitInfFileOutDir (エージェントプロセス用)」を参照してください。

(b) JP1/Cm2/NNM または HP NNM 連携使用時のファイル

表 A-34 ユーザーが参照できるファイル一覧 (Windows 版 JP1/AJS3 - Agent・JP1/Cm2/NNM または HP NNM 連携使用時)

内容	ファイル名
JP1/Cm2/NNM または HP NNM 連携用定義ファイル	<ul style="list-style-type: none"> • <i>Agt_Path</i>¥conf¥jpoov.conf (環境定義)

注

論理ホストの場合は、「*Agt_Path*」を次に示すフォルダに置き換えてください。

共有フォルダ名¥jp1ajs2

表 A-35 ユーザーが参照, または変更する必要のないファイル一覧 (Windows 版 JP1/AJS3 - Agent・JP1/Cm2/NNM または HP NNM 連携使用時)

内容	ファイル名
JP1/Cm2/NNM または HP NNM 連携用定義ファイル	<ul style="list-style-type: none"> • <i>Agt_Path</i>¥bin¥jp1ajs2_f (フィールド定義) • <i>Agt_Path</i>¥bin¥snmpd.extend (MIB オブジェクト定義) • <i>Agt_Path</i>¥bin¥jp1ajs2_j (日本語用メニュー定義) • <i>Agt_Path</i>¥bin¥jp1ajs2_e (英語用メニュー定義) • <i>Agt_Path</i>¥bin¥trpcajs2j (日本語用イベント定義) • <i>Agt_Path</i>¥bin¥trpcajs2e (英語用イベント定義) • <i>Agt_Path</i>¥bin¥trustajs2 (トラステッドコマンド定義)

(c) メール連携使用時のファイルおよびフォルダ

表 A-36 ユーザーが参照, および運用時に削除管理する必要があるファイルおよびフォルダ一覧 (Windows 版 JP1/AJS3 - Agent・メール連携使用時)

内容	ファイル名・フォルダ名
デフォルトの引き継ぎ情報ファイル*1	• <i>Agt_Data_Path</i> ¥tmp¥infodir¥mail¥JP0*.tmp
メール受信監視ジョブの引き継ぎ情報のメールに添付されていたファイルの格納フォルダ*2	• <i>Agt_Data_Path</i> ¥tmp¥infodir¥mail¥*_**¥

注

論理ホストの場合は、「Agt_Data_Path」を次に示すフォルダに置き換えてください。
共有フォルダ名¥jp1ajs2

注※1

環境設定パラメーターEvjobInfFileを指定しなかった場合に、このファイルが使用されます。
環境設定パラメーターEvjobInfFileを指定した場合は、指定したフォルダ下に「mail」フォルダが作成され、そのフォルダが使用されます。
イベント・ジョブ情報引き継ぎディレクトリに格納する受信したメールに添付されていたファイルの一覧の詳細については、マニュアル「JP1/Automatic Job Management System 3 連携ガイド 2.6.3 メール受信監視ジョブのリストファイル (Windows 限定)」を参照してください。

注※2

このフォルダ下に、メールに添付されていたファイルが、添付時のファイル名で格納されます。

表 A-37 ユーザーが参照できるフォルダ一覧 (Windows 版 JP1/AJS3 - Agent・メール連携使用時)

内容	フォルダ名
デフォルトの引き継ぎ情報ファイルフォルダ※	• Agt_Data_Path¥tmp¥infodir¥mail¥

注

論理ホストの場合は、「Agt_Data_Path」を次に示すフォルダに置き換えてください。
共有フォルダ名¥jp1ajs2

注※

環境設定パラメーターEvjobInfFileを指定しなかった場合に、このフォルダが使用されます。
環境設定パラメーターEvjobInfFileを指定した場合は、指定したフォルダ下に「mail」フォルダが作成され、そのフォルダが使用されます。

(d) PC ジョブ使用時のファイルおよびフォルダ

表 A-38 ユーザーが参照、および運用時に削除管理する必要があるファイル一覧 (Windows 版 JP1/AJS3 - Agent・PC ジョブ使用時)

内容	ファイル名
標準出力ファイル※1	ユーザー任意
標準エラー出力ファイル※2	ユーザー任意

注※1

【詳細定義ー [PC Job]】ダイアログボックスの【定義】タブにある【標準出力ファイル名】を指定した場合に、このファイルが使用されます。【標準出力ファイル名】の【追加書き】をチェックした場合、単調増加します。

注※2

[詳細定義－ [PC Job]] ダイアログボックスの [定義] タブにある [標準エラー出力ファイル名] を指定した場合に、このファイルが使用されます。[標準エラー出力ファイル名] の [追加書き] をチェックした場合、単調増加します。

(e) HTTP 接続ジョブ使用時のファイルおよびフォルダ

表 A-39 ユーザーが参照、および運用時に削除管理する必要があるファイル一覧 (Windows 版 JP1/AJS3 - Agent・HTTP 接続ジョブ使用時)

内容	ファイル名
標準出力ファイル※1	ユーザー任意
標準エラー出力ファイル※2	ユーザー任意

注※1

[詳細定義－ [HTTP 接続ジョブ]] ダイアログボックスの [定義] タブにある [標準出力ファイル名] を指定した場合に、このファイルが使用されます。

注※2

[詳細定義－ [HTTP 接続ジョブ]] ダイアログボックスの [定義] タブにある [標準エラー出力ファイル名] を指定した場合に、このファイルが使用されます。

(2) UNIX の場合

UNIX 版 JP1/AJS3 - Agent のファイルとディレクトリを、使用目的ごとに表に示します。

補足事項

ログのファイルおよびディレクトリ一覧については、「[1.2.4 ログファイルおよびディレクトリ一覧](#)」を参照してください。

表の見方

- ・「*」は任意の文字を示します。

(a) 共通のファイルおよびディレクトリ

表 A-40 ユーザーが変更できるファイル一覧 (UNIX 版 JP1/AJS3 - Agent)

内容	ファイル名
JP1/AJS3 用起動プロセス定義ファイル	• /etc/opt/jp1ajs2/conf/jp1ajs_spmd.conf
JP1/AJS3 用拡張起動プロセス定義ファイル	• /etc/opt/jp1ajs2/conf/jp1ajs_service_0700.conf
JP1/AJS3 用システム管理イベント定義ファイル	• /etc/opt/jp1ajs2/conf/jp1ajs_param.conf
ジョブ実行環境設定ファイル	• /etc/opt/jp1ajs2/conf/AJS3_Queue.conf

内容	ファイル名
イベント・アクション実行環境設定ファイル	• /etc/opt/jp1ajs2/conf/AJS3_EVAction.conf
ジョブ実行環境設定ファイル (JP1/AJS2 - Agent 互換用) ※	• /etc/opt/jp1ajs2/conf/Queue.conf
イベント・アクション実行環境設定ファイル (JP1/AJS2 - Agent 互換用) ※	• /etc/opt/jp1ajs2/conf/EVAction.conf
キューレスジョブ実行環境設定ファイル	• /etc/opt/jp1ajs2/conf/Queueless.conf

注

論理ホストの場合は、「/etc/opt/jp1ajs2」を次に示すディレクトリに置き換えてください。

共有ディレクトリ名/jp1ajs2

注※

JP1/AJS3 - Agent の新規インストール環境では存在しません。JP1/AJS2 - Agent 互換用の環境設定ファイルで、JP1/AJS2 - Agent からバージョンアップした場合にだけ使用できます。

表 A-41 ユーザーが参照できるファイルおよびディレクトリ一覧 (UNIX 版 JP1/AJS3 - Agent)

内容	ファイル名・ディレクトリ名
実行ファイル格納ディレクトリ	• /opt/jp1ajs2/bin/
ライブラリーファイル格納ディレクトリ	• /opt/jp1ajs2/lib/
メッセージカタログ	• /opt/jp1ajs2/lib/nls/\$LANG
環境設定ファイル格納ディレクトリ	• /etc/opt/jp1ajs2/conf/※

注※

論理ホストの場合は、「/etc/opt/jp1ajs2」を次に示すディレクトリに置き換えてください。

共有ディレクトリ名/jp1ajs2

表 A-42 ユーザーが参照、または変更する必要のないファイルおよびディレクトリ一覧 (UNIX 版 JP1/AJS3 - Agent)

内容	ファイル名・ディレクトリ名
JP1/AJS3 用システムファイルディレクトリ	• /var/opt/jp1ajs2/sys/
イベント・アクション制御エージェント用システムファイルディレクトリ	• /var/opt/jp1ajs2/sys/infoagt
JP1/AJS3 用作業ファイル格納ディレクトリ	• /var/opt/jp1ajs2/tmp/
JP1/AJS3 Autonomous Agent サービス, JP1/AJS3 Autonomous Agent	• /opt/jp1ajs2/embsch/ • /var/opt/jp1ajs2/embsch/

内容	ファイル名・ディレクトリ名
Messenger サービスの使用ファイル格納ディレクトリ	<ul style="list-style-type: none"> • /opt/jp1ajs2/embsch/ • /var/opt/jp1ajs2/embsch/

注

論理ホストの場合は、「/var/opt/jp1ajs2」を次に示すディレクトリに置き換えてください。
共有ディレクトリ名/jp1ajs2

(b) JP1/Cm2/NNM または HP NNM 連携使用時のファイルおよびディレクトリ

表 A-43 ユーザーが変更できるファイル一覧 (UNIX 版 JP1/AJS3 - Agent・JP1/Cm2/NNM または HP NNM 連携使用時)

内容	ファイル名・ディレクトリ名
JP1/Cm2/NNM または HP NNM 連携用定義ファイル	<ul style="list-style-type: none"> • /etc/opt/jp1ajs2/conf/jpovv.conf (環境定義)

注

論理ホストの場合は、「/etc/opt/jp1ajs2」を次に示すディレクトリに置き換えてください。
共有ディレクトリ名/jp1ajs2

表 A-44 ユーザーが参照, または変更する必要のないファイルおよびディレクトリ一覧 (UNIX 版 JP1/AJS3 - Agent・JP1/Cm2/NNM または HP NNM 連携使用時)

内容	ファイル名・ディレクトリ名
JP1/Cm2/NNM または HP NNM 連携用定義ディレクトリ	<ul style="list-style-type: none"> • /etc/opt/jp1ajs2/0V/
JP1/Cm2/NNM または HP NNM 連携用定義ファイル	<ul style="list-style-type: none"> • /etc/opt/jp1ajs2/0V/jp1ajs2_f (フィールド定義) • /etc/opt/jp1ajs2/0V/snmpd.extend (MIB オブジェクト定義) • /etc/opt/jp1ajs2/0V/trustajs2 (トラステッドコマンド定義) • /etc/opt/jp1ajs2/0V/\$LANG/jp1ajs2 (メニュー定義) • /etc/opt/jp1ajs2/0V/\$LANG/trpcajs2 (イベント定義) • /etc/opt/jp1ajs2/0V/\$LANG/jajsovm.cat (メッセージカタログ)

(c) メール連携使用時のファイルおよびディレクトリ

表 A-45 ユーザーが参照, および運用時に削除管理する必要があるファイル一覧 (UNIX 版 JP1/AJS3 - Agent・メール連携使用時)

内容	ファイル名
デフォルトの引き継ぎ情報ファイル※1	• /var/opt/jp1ajs2/sys/infoagt/tmp/infodir/mail/MLDT*
メール連携用障害用メールファイル※2	• /var/opt/jp1ajs2/sys/infoagt/tmp/mail/errmail
メール連携用一時メールファイル※2	• /var/opt/jp1ajs2/tmp/mailbox/監視ユーザー名

注

論理ホストの場合は, 「/var/opt/jp1ajs2」を次に示すディレクトリに置き換えてください。

共有ディレクトリ名/jp1ajs2

注※1

環境設定パラメーターEvjobInfFileを指定しなかった場合に, このファイルが使用されます。

環境設定パラメーターEvjobInfFileを指定した場合は, 指定したディレクトリ下に「mail」ディレクトリが作成され, そのディレクトリが使用されます。

注※2

メール連携使用時に, 単調増加するファイルです。

表 A-46 ユーザーが参照できるディレクトリ一覧 (UNIX 版 JP1/AJS3 - Agent・メール連携使用時)

内容	ディレクトリ名
デフォルトの引き継ぎ情報ファイルディレクトリ※	• /var/opt/jp1ajs2/sys/infoagt/tmp/infodir/mail/
メール連携用一時メールファイルディレクトリ	• /var/opt/jp1ajs2/tmp/mailbox/

注

論理ホストの場合は, 「/var/opt/jp1ajs2」を次に示すディレクトリに置き換えてください。

共有ディレクトリ名/jp1ajs2

注※

環境設定パラメーターEvjobInfFileを指定しなかった場合に, このディレクトリが使用されます。

環境設定パラメーターEvjobInfFileを指定した場合は, 指定したディレクトリ下に「mail」ディレクトリが作成され, そのディレクトリが使用されます。

(d) UNIX ジョブ使用時のファイルおよびディレクトリ

表 A-47 ユーザーが参照, および運用時に削除管理する必要があるファイル一覧 (UNIX 版 JP1/AJS3 - Agent・UNIX ジョブ使用時)

内容	ファイル名
標準出力ファイル※1	ユーザー任意
標準エラー出力ファイル※2	ユーザー任意

注※1

[詳細定義－ [UNIX Job]] ダイアログボックスの [定義] タブにある [標準出力ファイル名] を指定した場合に, このファイルが使用されます。[標準出力ファイル名] の [追加書き] をチェックした場合, 単調増加します。

注※2

[詳細定義－ [UNIX Job]] ダイアログボックスの [定義] タブにある [標準エラー出力ファイル名] を指定した場合に, このファイルが使用されます。[標準エラー出力ファイル名] の [追加書き] をチェックした場合, 単調増加します。

(e) HTTP 接続ジョブ使用時のファイルおよびディレクトリ

表 A-48 ユーザーが参照, および運用時に削除管理する必要があるファイル一覧 (UNIX 版 JP1/AJS3 - Agent・HTTP 接続ジョブ使用時)

内容	ファイル名
標準出力ファイル※1	ユーザー任意
標準エラー出力ファイル※2	ユーザー任意

注※1

[詳細定義－ [HTTP 接続ジョブ]] ダイアログボックスの [定義] タブにある [標準出力ファイル名] を指定した場合に, このファイルが使用されます。

注※2

[詳細定義－ [HTTP 接続ジョブ]] ダイアログボックスの [定義] タブにある [標準エラー出力ファイル名] を指定した場合に, このファイルが使用されます。

付録 A.3 JP1/AJS3 - View のファイルおよびディレクトリー一覧

JP1/AJS3 - View のファイルとフォルダを, 使用目的ごとに表に示します。

なお, これらのファイルとフォルダのアクセス権を変更しないでください。これらのファイルとフォルダに対して権限がない場合, 次のような現象が発生します。

- JP1/AJS3 - View が起動できなくなる。
- JP1/AJS3 - View の操作中に入出力エラーが発生する。
- 設定ファイルが存在しないものとして扱われ、JP1/AJS3 - View がデフォルトの設定を仮定して続行する。

表の見方

- ファイルおよびディレクトリ一覧の各表では、次の略称を使用しています。
 - *View_Path* : JP1/AJS3 - View のインストール先フォルダ
- JP1/AJS3 - View のインストール先フォルダは、デフォルトでは「システムドライブ¥Program Files (x86)¥HITACHI¥JP1AJS2V」です。
- 「nnnn」は、0001～9999 の任意の値を示します。

注※

32ビット版の Windows の場合は、「Program Files (x86)」を「Program Files」と読み替えてください。

表 A-49 ユーザーが作成・変更できるファイル一覧 (JP1/AJS3 - View)

内容	ファイル名
ユーザー指定オプションファイル	• %ALLUSERSPROFILE%¥Hitachi¥JP1¥JP1_DEFAULT¥JP1AJS2V¥conf¥JP1 ユーザー名¥ajs2view_opt.conf
システム共通設定ファイル	• %ALLUSERSPROFILE%¥Hitachi¥JP1¥JP1_DEFAULT¥JP1AJS2V¥conf¥ajs2view_common.conf
カスタムジョブ拡張設定ファイル	• %ALLUSERSPROFILE%¥Hitachi¥JP1¥JP1_DEFAULT¥JP1AJS2V¥custom.dir¥カスタムジョブ名.cjx
非暗号化通信ホスト設定ファイル	• <i>View_Path</i> ¥conf¥ssl¥nsslhost.conf

注※

「%ALLUSERSPROFILE%」のデフォルトは「システムドライブ¥ProgramData」です。

表 A-50 ユーザーが参照できるファイルおよびフォルダー一覧 (JP1/AJS3 - View)

内容	ファイル名・フォルダ名
環境設定ファイル格納フォルダ	• <i>View_Path</i> ¥conf¥
ユーザー指定オプションファイルモデルファイル	• <i>View_Path</i> ¥conf¥ajs2view_opt.conf.model
バージョン 10-50 以前のユーザー指定オプションファイルモデルファイル	• <i>View_Path</i> ¥conf¥ssl¥ajs2view_opt.conf.V10.model
システム共通設定ファイルモデルファイル	• <i>View_Path</i> ¥conf¥ajs2view_common.conf.model

内容	ファイル名・フォルダ名
JP1/AJS3 コマンド情報設定ファイル	<ul style="list-style-type: none"> • %ALLUSERSPROFILE%\Hitachi\JP1\JP1_DEFAULT\JP1AJS2V\conf\JP1 ユーザー名\ajs2view_command.conf
壁紙の設定ファイル	<ul style="list-style-type: none"> • %ALLUSERSPROFILE%\Hitachi\JP1\JP1_DEFAULT\JP1AJS2V\conf\JP1 ユーザー名\MapBackGround\wallpaper.conf • %ALLUSERSPROFILE%\Hitachi\JP1\JP1_DEFAULT\JP1AJS2V\conf\JP1 ユーザー名\MapBackGround\wallpaper#nnnn.conf
デフォルト値の設定ファイル	<ul style="list-style-type: none"> • %ALLUSERSPROFILE%\Hitachi\JP1\JP1_DEFAULT\JP1AJS2V\conf\JP1 ユーザー名\ajs2view_def.conf
カスタムジョブ登録情報フォルダ	<ul style="list-style-type: none"> • %ALLUSERSPROFILE%\Hitachi\JP1\JP1_DEFAULT\JP1AJS2V\custom.dir\
カスタムジョブ拡張設定ファイルモデルファイル	<ul style="list-style-type: none"> • %ALLUSERSPROFILE%\Hitachi\JP1\JP1_DEFAULT\JP1AJS2V\custom.dir\CJNAME.cjx.model
Readme ファイル	<ul style="list-style-type: none"> • View_Path\Readme_ja.txt • View_Path\Readme_en.txt
バージョン情報ファイル	<ul style="list-style-type: none"> • View_Path\Version.txt
ヘルプファイル格納フォルダ	<ul style="list-style-type: none"> • View_Path\doc\
ヘルプ目次ファイル	<ul style="list-style-type: none"> • View_Path\doc\ja\ajsmn.htm
ツールファイル格納フォルダ	<ul style="list-style-type: none"> • View_Path\tools\
非暗号化通信ホスト設定ファイルモデルファイル	<ul style="list-style-type: none"> • View_Path\conf\ssl\nosslhost.conf.model

注※

「%ALLUSERSPROFILE%」のデフォルトは「システムドライブ\ProgramData」です。

表 A-51 ユーザーが参照、または変更する必要のないフォルダ一覧 (JP1/AJS3 - View)

内容	フォルダ名
実行ファイル格納フォルダ	<ul style="list-style-type: none"> • View_Path\bin\
Java クラスファイル格納フォルダ	<ul style="list-style-type: none"> • View_Path\classes\
ライブラリーファイル格納フォルダ	<ul style="list-style-type: none"> • View_Path\lib\
イメージファイル格納フォルダ	<ul style="list-style-type: none"> • View_Path\image\
アドイン情報フォルダ	<ul style="list-style-type: none"> • View_Path\addin.dir\
リソースファイル格納フォルダ	<ul style="list-style-type: none"> • View_Path\resource\ • View_Path\sys\
カスタムジョブ定義時の作業フォルダ	<ul style="list-style-type: none"> • システムドライブ\Temp
製品情報ファイル格納フォルダ	<ul style="list-style-type: none"> • システムドライブ\Program Files\HITACHI\jp1\common\JP1AJS2 (32 ビット版の Windows の場合)

内容	フォルダ名
製品情報ファイル格納フォルダ	<ul style="list-style-type: none"> システムドライブ¥Program Files (x86)¥HITACHI¥jp1common¥JP1AJS2 (64ビット版の Windows の場合)
JavaGUI プロセス情報格納フォルダ	<ul style="list-style-type: none"> %TEMP%¥hsperfdata_OS ユーザー名

注※

「%TEMP%」は、デフォルトでは次のフォルダです。

システムドライブ¥Users¥OS ユーザー名¥AppData¥Local¥Temp

表 A-52 ログファイル一覧 (JP1/AJS3 - View)

内容	ファイル名
JP1/AJS3 - View ログ	<ul style="list-style-type: none"> %ALLUSERSPROFILE%¥Hitachi¥JP1¥JP1_DEFAULT¥JP1AJS2¥Log¥ajs. log
JP1/AJS3 - View 情報ログ	<ul style="list-style-type: none"> %ALLUSERSPROFILE%¥Hitachi¥JP1¥JP1_DEFAULT¥JP1AJS2¥Log¥ajs2view[#nnnn_]¥2{1 2}¥3. log

注※1

「%ALLUSERSPROFILE%」のデフォルトは「システムドライブ¥ProgramData」です。

注※2

JP1/AJS3 - View を単数で起動した場合は、「#nnnn_」が省略されます。複数同時に起動した場合は、「#nnnn」に 0001～9999 の任意の値が割り当てられます。

JP1/AJS3 - View を複数同時に起動した場合、次のようにログファイルが出力されます。

- ajs2view1. log
- ajs2view#0001_1. log
- ajs2view#0002_1. log

注※3

「{1|2}」の部分はログファイルの面数を示します。面数は「2」で固定です。

面数「1」のファイルの容量が上限に達すると、面数「2」のファイルに続けて出力されます。面数「2」のファイルの容量も上限に達すると、面数「1」のファイルに続けて出力されます。このとき、すでに書き込まれている情報を消去したあと、出力されます。

(1) JP1/Cm2/NNM または HP NNM 連携使用時のファイル

表 A-53 ユーザーが変更できるファイル一覧 (JP1/AJS3 - View・JP1/Cm2/NNM または HP NNM 連携使用時)

内容	ファイル名
JP1/Cm2/NNM または HP NNM 連携用定義ファイル	<ul style="list-style-type: none"> View_Path¥conf¥jpoov. conf (環境定義)

表 A-54 ユーザーが参照, または変更する必要のないファイル一覧 (JP1/AJS3 - View・JP1/Cm2/NNM または HP NNM 連携使用時)

内容	ファイル名
JP1/Cm2/NNM または HP NNM 連携用定義ファイル	<ul style="list-style-type: none"> • <i>View_Path</i>¥bin¥jp1ajs2_f (フィールド定義) • <i>View_Path</i>¥bin¥snmpd.extend (MIB オブジェクト定義) • <i>View_Path</i>¥bin¥jp1ajs2_j (日本語用メニュー定義) • <i>View_Path</i>¥bin¥jp1ajs2_e (英語用メニュー定義) • <i>View_Path</i>¥bin¥trpcajs2j (日本語用イベント定義) • <i>View_Path</i>¥bin¥trpcajs2e (英語用イベント定義) • <i>View_Path</i>¥bin¥trustajs2 (トラステッドコマンド定義)
JP1/Cm2/NNM または HP NNM 連携ログ	<ul style="list-style-type: none"> • <i>View_Path</i>¥log¥jpoovlink{1 2}.conf

補足事項

クラスタ運用時でも, ログはデフォルトのフォルダに出力されます。

(2) JP1/AJS3 Console View 使用時のファイルおよびフォルダ

表 A-55 JP1/AJS3 Console View のフォルダ一覧 (JP1/AJS3 - View・JP1/AJS3 Console View 使用時)

内容	ファイル名・フォルダ名※
JP1/AJS3 Console View 用の Java クラスファイルを格納	• <i>View_Path</i> ¥classes
JP1/AJS3 Console View 用のイメージを格納	• <i>View_Path</i> ¥image¥console
JP1/AJS3 Console View 用の背景イメージを格納	• <i>View_Path</i> ¥image¥console¥background
JP1/AJS3 Console View 用のアイコンイメージを格納	• <i>View_Path</i> ¥image¥console¥icon

注※

フォルダのモードは, EVERYONE フルコントロールモードで作成されます。

表 A-56 JP1/AJS3 Console View のファイル一覧 (JP1/AJS3 - View・JP1/AJS3 Console View 使用時)

内容	ファイル名・フォルダ名※1
JP1/AJS3 Console View 起動用実行ファイル	• View_Path¥bin¥ajscon.exe
JP1/AJS3 Console View セットアップ用実行ファイル	• View_Path¥bin¥ajscvsetup.exe
JP1/AJS3 Console View の共通設定ファイル	• View_Path¥conf¥ajscon.conf
JP1/AJS3 Console View の共通設定モデルファイル	• View_Path¥conf¥ajscon.conf.model
JP1/AJS3 Console View のユーザー設定モデルファイル	• View_Path¥conf¥ajs2coview_opt.conf.model
システム共通設定ファイル	• %ALLUSERSPROFILE%¥Hitachi¥JP1¥JP1_DEFAULT¥JP1AJS2V¥conf¥ajs2coview_common.conf
システム共通設定ファイルモデルファイル	• View_Path¥conf¥ajs2coview_common.conf.model
JP1/AJS3 Console View のログファイル	• %ALLUSERSPROFILE%¥Hitachi¥JP1¥JP1_DEFAULT¥JP1AJS2V¥log¥ajscon.log
JP1/AJS3 Console View の実行ログファイル	• %ALLUSERSPROFILE%¥Hitachi¥JP1¥JP1_DEFAULT¥JP1AJS2V¥log¥ajs2coview[#nnnn_]¥3{1 2}¥4.log

注※1

ファイルのモードは、EVERYONE フルコントロールモードで作成されます。

注※2

「%ALLUSERSPROFILE%」のデフォルトは「システムドライブ¥ProgramData」です。

注※3

JP1/AJS3 Console View を単数で起動した場合は、「#nnnn_」が省略されます。複数同時に起動した場合は、「#nnnn」に1~9,999の任意の値が割り当てられます。

JP1/AJS3 Console View を複数同時に起動した場合、次のようにログファイルが出力されます。

- ajs2coview1.log
- ajs2coview#0001_1.log
- ajs2coview#0002_1.log

注※4

「{1|2}」の部分はログファイルの面数を示します。面数は「2」で固定です。

面数「1」のファイルの容量が上限に達すると、面数「2」のファイルに続けて出力されます。面数「2」のファイルの容量も上限に達すると、面数「1」のファイルに続けて出力されます。このとき、すでに書き込まれている情報は消去されます。

付録 A.4 JP1/AJS3 - Web Console のファイルおよびディレクトリー一覧

JP1/AJS3 - Web Console のファイルとディレクトリーを、OS ごとに示します。

(1) Windows の場合

Windows 版 JP1/AJS3 - Web Console のファイルとフォルダを、使用目的ごとに表に示します。

補足事項

ログのファイルおよびディレクトリー一覧については、「1.2.4 ログファイルおよびディレクトリー一覧」を参照してください。

表の見方

- ファイルおよびディレクトリー一覧の各表では、次の略称を使用しています。

- ・ *Web_Path* : JP1/AJS3 - Web Console のインストール先フォルダ
- ・ *Web_Data_Path* : インストール先フォルダによって異なります。

インストール先フォルダがデフォルトまたはシステムで保護されたフォルダ配下の場合

`%ALLUSERSPROFILE%\Hitachi\JP1\JP1_DEFAULT\jp1ajs3web`

「システムで保護されたフォルダ」とは、次のパスを指します。

- ・ 「システムドライブ\Windows」配下
- ・ 「システムドライブ\Program Files」配下

インストール先フォルダが上記以外の場合

JP1/AJS3 - Web Console のインストール先フォルダ

- ・ 「%ALLUSERSPROFILE%」のデフォルトは「システムドライブ\ProgramData」です。
- ・ JP1/AJS3 - Web Console のインストール先フォルダは、デフォルトでは「システムドライブ\Program Files\HITACHI\JP1AJS3WEB」です。
- ・ 「*」は任意の文字を示します。

表 A-57 ユーザーが変更できるファイル一覧 (Windows 版 JP1/AJS3 - Web Console)

内容	ファイル名
環境設定ファイル	・ <i>Web_Path</i> \conf\ajs3web.conf
通信設定ファイル	・ <i>Web_Data_Path</i> \conf\ajscd_ajs3web.properties
非暗号化通信ホスト設定ファイル※	・ <i>Web_Data_Path</i> \conf\noss\host.conf
Web サーバ定義ファイル	・ <i>Web_Path</i> \u\CPSB\httpd\conf\httpd.conf
J2EE サーバ用ユーザープロパティファイル	・ <i>Web_Path</i> \u\CPSB\CC\server\usrconf\ejb\ajs3web\usrconf.properties
表示色設定ファイル	・ <i>Web_Path</i> \conf\ajs3web_color.conf

内容	ファイル名
J2EE サーバ用オプション定義ファイル	<ul style="list-style-type: none"> • <i>Web_Path</i>¥uCPSB¥CC¥server¥usrconf¥ejb¥ajs3web¥usrconf.cfg

注※

通信暗号化機能を利用する場合に、ユーザーが作成するファイルです。このファイルの詳細については、マニュアル「JP1/Automatic Job Management System 3 構築ガイド 21.4.6 非暗号化通信ホスト設定ファイル (nosslhost.conf) の設定項目の詳細」を参照してください。

表 A-58 ユーザーが参照できるファイルおよびフォルダー一覧 (Windows 版 JP1/AJS3 - Web Console)

内容	ファイル名・フォルダ名
実行ファイル格納フォルダ	<ul style="list-style-type: none"> • <i>Web_Path</i>¥bin¥
ライブラリーファイル格納フォルダ	<ul style="list-style-type: none"> • <i>Web_Path</i>¥lib¥
環境設定ファイル格納フォルダ	<ul style="list-style-type: none"> • <i>Web_Path</i>¥conf¥ • <i>Web_Data_Path</i>¥conf¥
Readme ファイル	<ul style="list-style-type: none"> • <i>Web_Path</i>¥Readme_ja.txt • <i>Web_Path</i>¥Readme_en.txt
バージョン情報ファイル	<ul style="list-style-type: none"> • <i>Web_Path</i>¥Version.txt
HTTP サーバおよびアプリケーションサーバ格納フォルダ	<ul style="list-style-type: none"> • <i>Web_Path</i>¥uCPSB¥
ツールファイル格納フォルダ	<ul style="list-style-type: none"> • <i>Web_Path</i>¥tools¥

表 A-59 ユーザーが参照, または変更する必要のないファイルおよびフォルダー一覧 (Windows 版 JP1/AJS3 - Web Console)

内容	ファイル名・フォルダ名
Web Console サーバ用システムファイルフォルダ	<ul style="list-style-type: none"> • <i>Web_Path</i>¥sys¥
アプリケーションフォルダ	<ul style="list-style-type: none"> • <i>Web_Path</i>¥webapps¥
Web Console サーバ用作業ファイル格納フォルダ	<ul style="list-style-type: none"> • <i>Web_Data_Path</i>¥tmp¥

(2) Linux の場合

Linux 版 JP1/AJS3 - Web Console のファイルとディレクトリを、使用目的ごとに表に示します。

補足事項

ログのファイルおよびディレクトリ一覧については、「1.2.4 ログファイルおよびディレクトリ一覧」を参照してください。

表の見方

- 「*」は任意の文字を示します。

表 A-60 ユーザーが変更できるファイル一覧 (Linux 版 JP1/AJS3 - Web Console)

内容	ファイル名
環境設定ファイル	• /etc/opt/jp1ajs3web/conf/ajs3web.conf
通信設定ファイル	• /etc/opt/jp1ajs3web/conf/ajscd_ajs3web.properties
非暗号化通信ホスト設定ファイル*	• /etc/opt/jp1ajs3web/conf/nosslhost.conf
Web サーバ定義ファイル	• /opt/jp1ajs3web/uCPSB/httpsd/conf/httpsd.conf
J2EE サーバ用ユーザープロパティファイル	• /opt/jp1ajs3web/uCPSB/CC/server/usrconf/ejb/ajs3web/usrconf.properties
表示色設定ファイル	• /etc/opt/jp1ajs3web/conf/ajs3web_color.conf
J2EE サーバ用オプション定義ファイル	• /opt/jp1ajs3web/uCPSB/CC/server/usrconf/ejb/ajs3web/usrconf.cfg

注※

通信暗号化機能を利用する場合に、ユーザーが作成するファイルです。このファイルの詳細については、マニュアル「JP1/Automatic Job Management System 3 構築ガイド 21.4.6 非暗号化通信ホスト設定ファイル (nosslhost.conf) の設定項目の詳細」を参照してください。

表 A-61 ユーザーが参照できるファイルおよびディレクトリ一覧 (Linux 版 JP1/AJS3 - Web Console)

内容	ファイル名・ディレクトリ名
実行ファイル格納ディレクトリ	• /opt/jp1ajs3web/bin/
ライブラリーファイル格納ディレクトリ	• /opt/jp1ajs3web/lib/
メッセージカタログ	• /opt/jp1ajs3web/lib/nls/\$LANG/
環境設定ファイル格納ディレクトリ	• /etc/opt/jp1ajs3web/conf/
HTTP サーバおよびアプリケーションサーバ格納ディレクトリ	• /opt/jp1ajs3web/uCPSB/
ツールファイル格納ディレクトリ	• /opt/jp1ajs3web/tools/

表 A-62 ユーザーが参照、または変更する必要のないファイルおよびディレクトリ一覧 (Linux 版 JP1/AJS3 - Web Console)

内容	ファイル名・ディレクトリ名
Web Console サーバ用システムファイルディレクトリ	• /var/opt/jp1ajs3web/sys/

内容	ファイル名・ディレクトリ名
アプリケーションディレクトリ	• /opt/jp1ajs3web/webapps/
インストール処理結果格納ディレクトリ	• /opt/jp1ajs3web/sys
Web Console サーバ用作業ファイル格納ディレクトリ	• /var/opt/jp1ajs3web/tmp/
環境設定ファイル格納ディレクトリ	• /var/opt/jp1ajs3web/conf

付録 B プロセス一覧

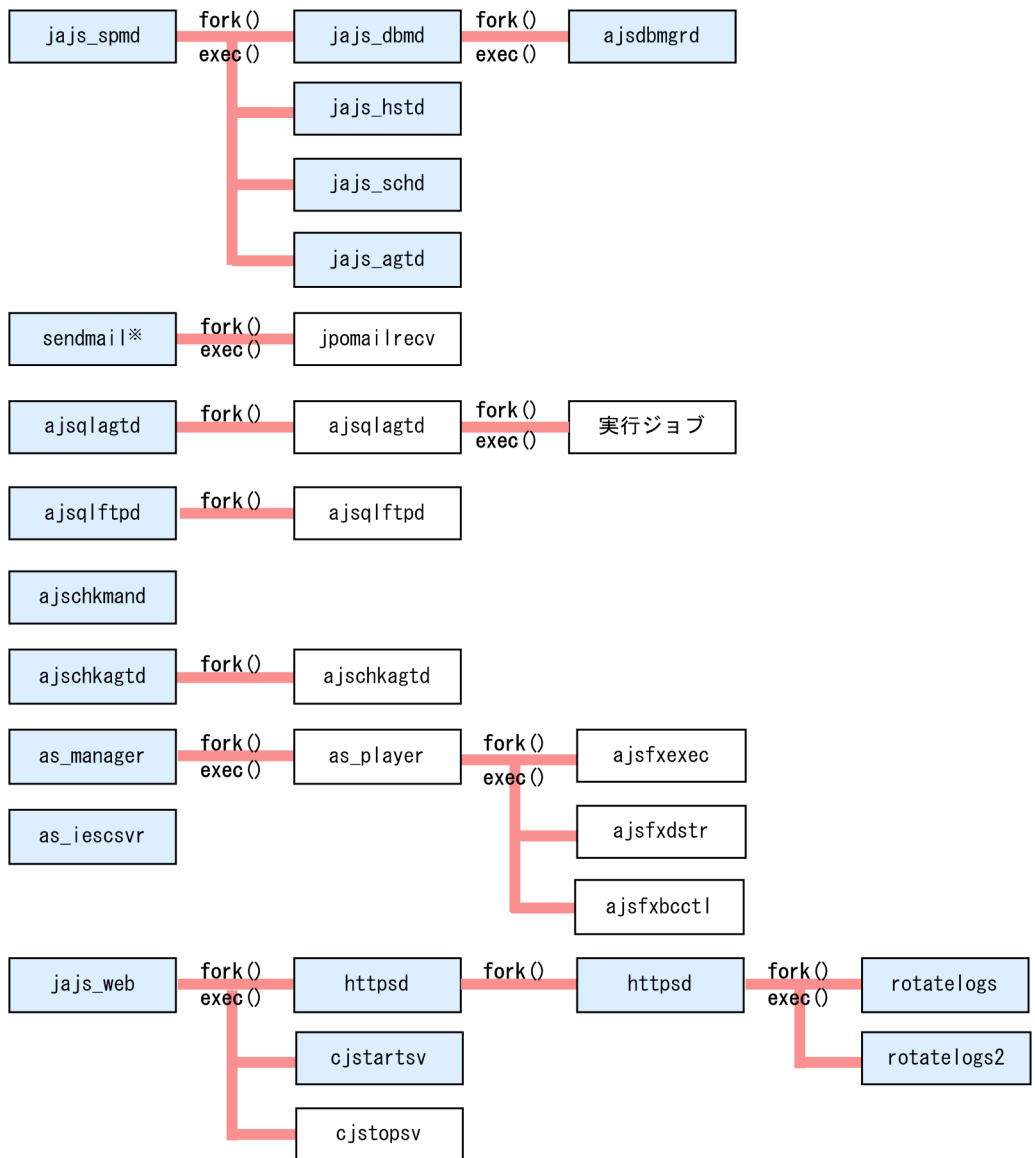
この節では、JP1/AJS3によって生成されるプロセスについて記載します。

付録 B.1 プロセス構成図

JP1/AJS3によって生成されるプロセスの構成（UNIX）を次の図に示します。JP1/AJS3全体のプロセスの親子関係がわかるので、プロセスを監視する場合に役立ちます。

(1) 標準構成のプロセス構成図 (UNIX)

図 B-1 JP1/AJS3 のプロセス構成 (UNIX) (親プロセスおよび子プロセス)



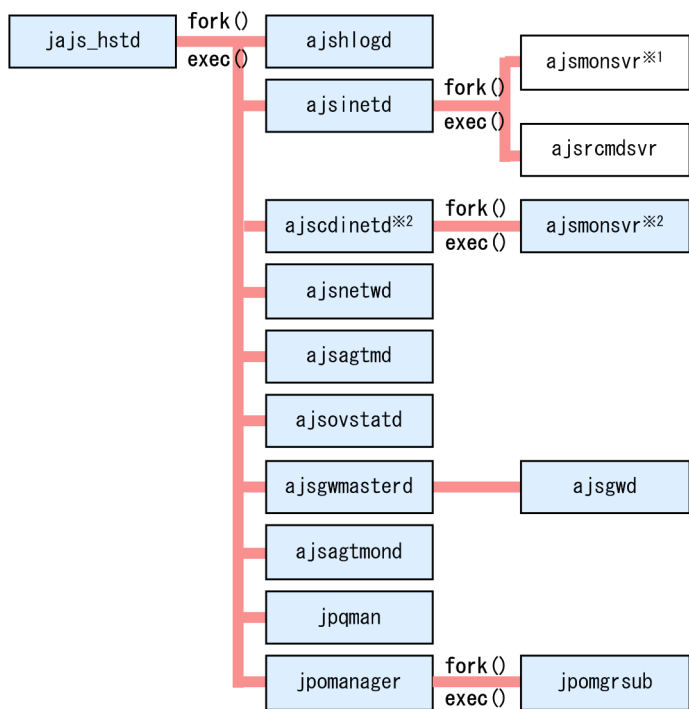
(凡例)

プロセス名 : 常駐プロセス

プロセス名 : 非常駐プロセス

注※ OSの機能です。

図 B-2 JP1/AJS3 のプロセス構成 (子プロセスおよび詳細プロセス) (1/3)



(凡例)

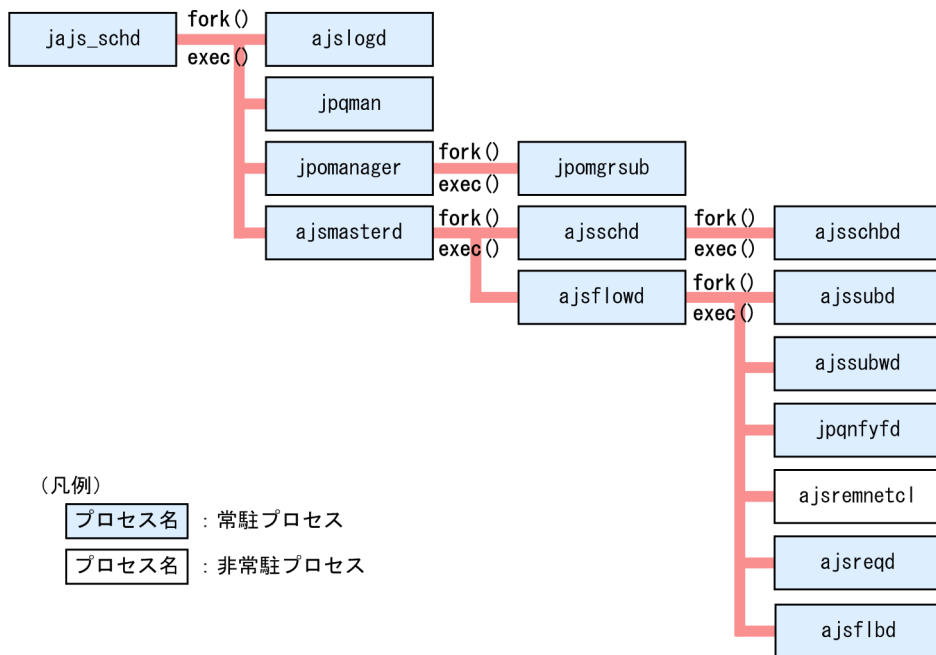
プロセス名 : 常駐プロセス

プロセス名 : 非常駐プロセス

注※1 JP1/AJS3 - Viewの接続中は常駐します。

注※2 JP1/AJS3 - Managerをバージョンアップインストールした場合で、JP1/AJS3用起動プロセス定義ファイルを変更していないときは、常駐しません。

図 B-3 JP1/AJS3 のプロセス構成 (子プロセスおよび詳細プロセス) (2/3)

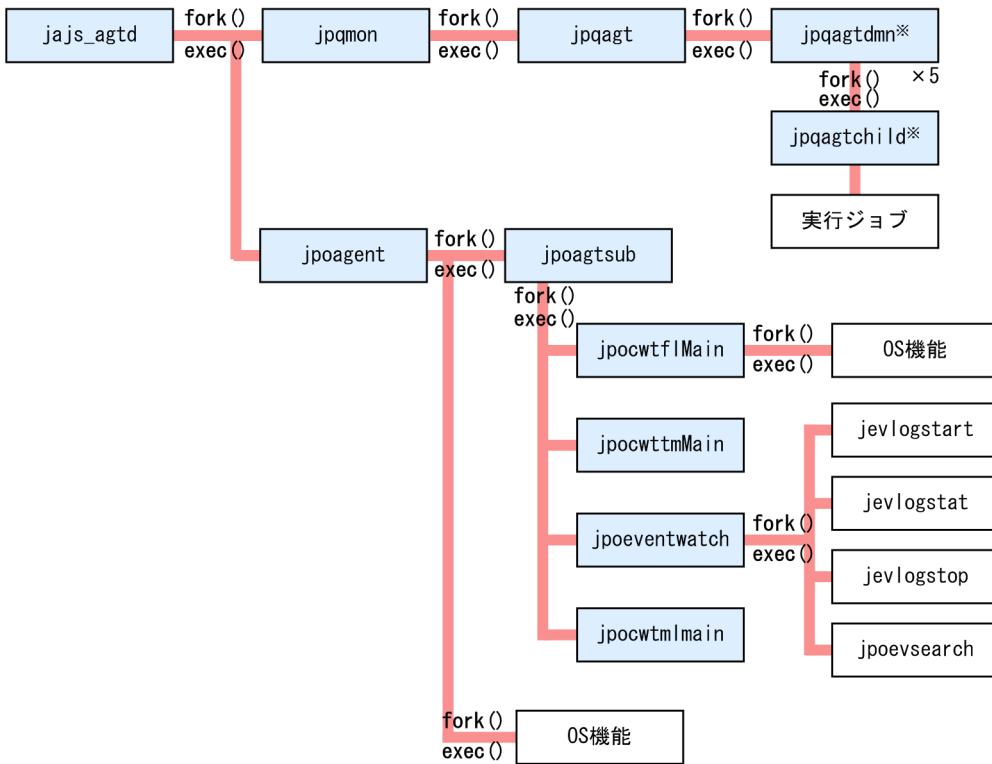


(凡例)

プロセス名 : 常駐プロセス

プロセス名 : 非常駐プロセス

図 B-4 JP1/AJS3 のプロセス構成 (子プロセスおよび詳細プロセス) (3/3)



(凡例)

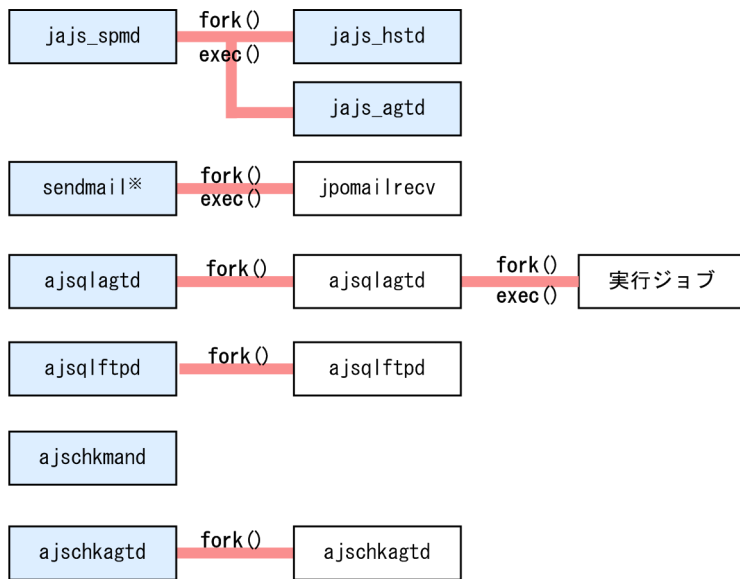
プロセス名 : 常駐プロセス

プロセス名 : 非常駐プロセス

注※ 並列で5個起動されます。

(2) 互換用 ISAM 構成のプロセス構成図 (UNIX)

図 B-5 JP1/AJS3 のプロセス構成 (親プロセスおよび子プロセス)



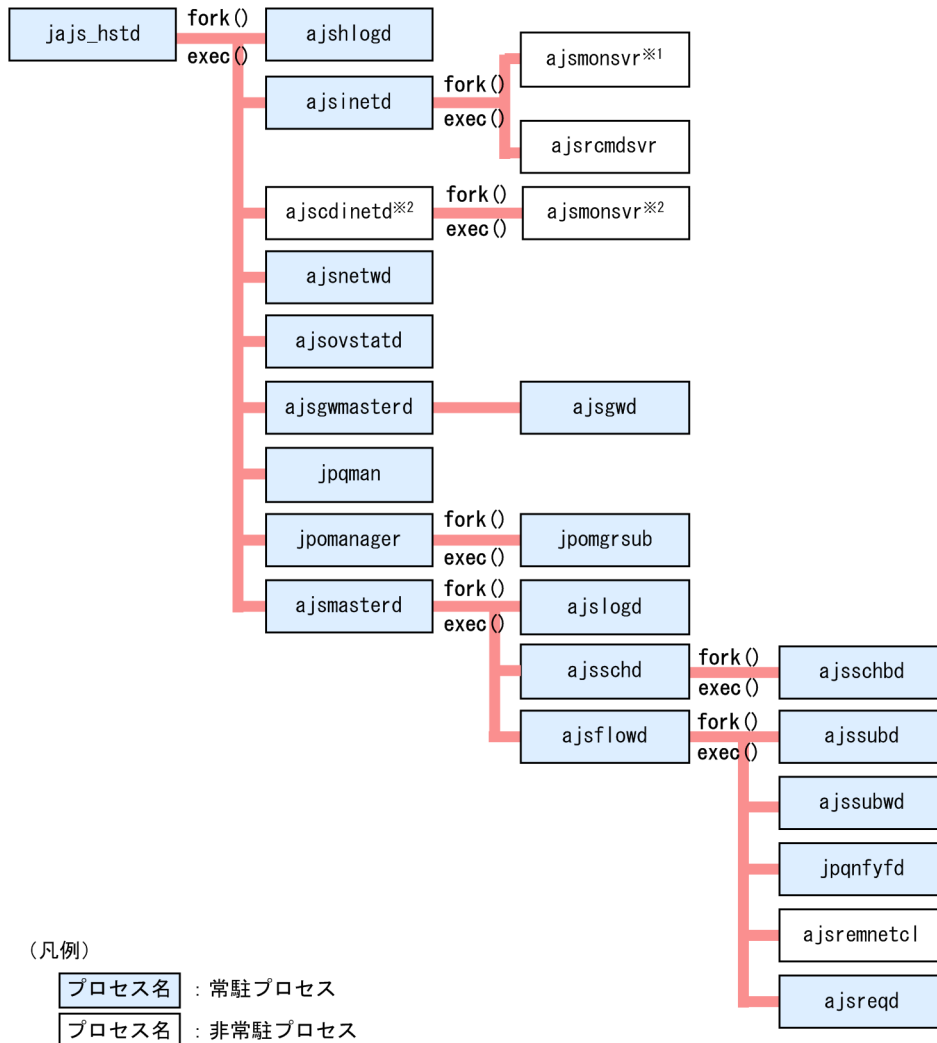
(凡例)

プロセス名 : 常駐プロセス

プロセス名 : 非常駐プロセス

注※ OSの機能です。

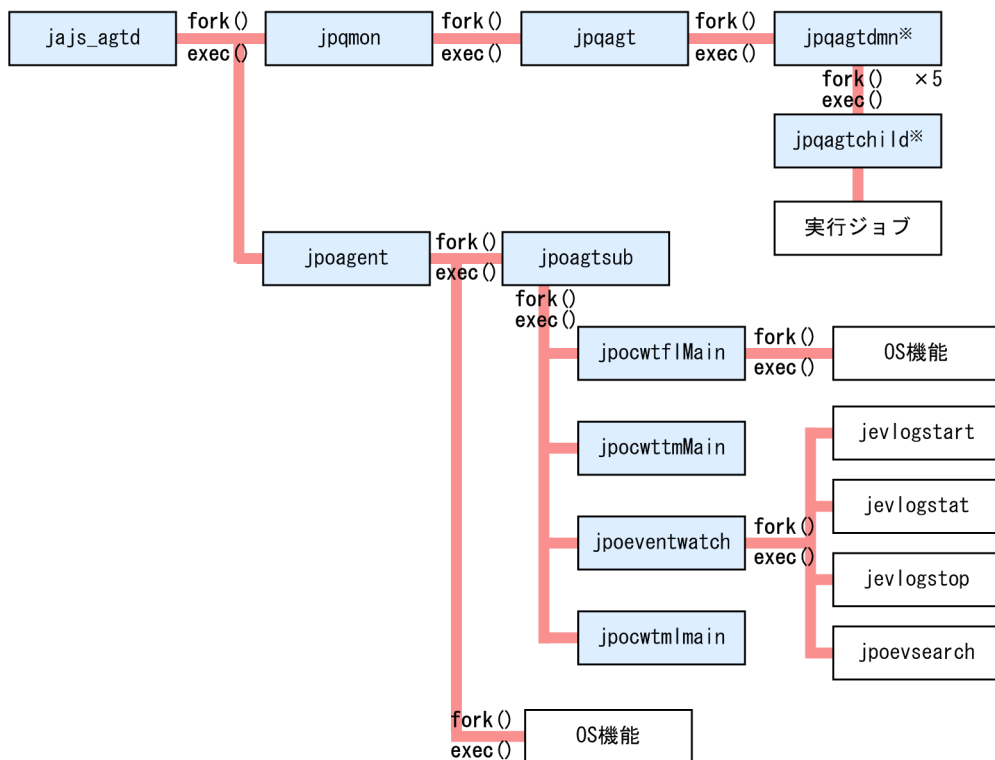
図 B-6 JP1/AJS3 のプロセス構成 (子プロセスおよび詳細プロセス) (1/2)



注※1 JP1/AJS3 - Viewの接続中は常駐します。

注※2 JP1/AJS3 - Software Development Kitで使します。JP1/AJS3 - Software Development Kitのセットアップで起動プロセス定義ファイルを変更している場合は、常駐します。

図 B-7 JP1/AJS3 のプロセス構成 (子プロセスおよび詳細プロセス) (2/2)



(凡例)

プロセス名 : 常駐プロセス

プロセス名 : 非常駐プロセス

注※ 並列で5個起動されます。

付録 B.2 プロセス一覧 (Windows の場合)

Windows 版の JP1/AJS3 のプログラムおよびコンポーネントのプロセス一覧を記載します。

(1) Windows 版 JP1/AJS3 - Manager のプロセス一覧

Windows 版 JP1/AJS3 - Manager は、次に示す 3 種類のプロセスで構成されます。

- 親プロセス
親プロセスは、幾つかの子プロセスで構成されます。
- 子プロセス
子プロセスは、幾つかの詳細プロセスで構成されます。
- 詳細プロセス

jajs_spmdd の子プロセスの状態は、jajs_spmdd_status コマンドで確認できます。詳細については、マニュアル「JP1/Automatic Job Management System 3 コマンドリファレンス 3. 通常の運用で使用するコマンド jajs_spmdd_status」の説明を参照してください。

親プロセス、子プロセス、および詳細プロセスの状態は、[タスクマネージャ] ウィンドウの [プロセス] タブで確認できます。

(a) 標準構成の場合

親プロセスおよび子プロセスの一覧を表 B-1 に、子プロセスおよび詳細プロセスの一覧を表 B-2 に示します。

なお、表中の親プロセス名および子プロセス名の後ろに記載されている値は、同時に起動できるプロセス数です。

表 B-1 Windows 版 JP1/AJS3 - Manager の親プロセスおよび子プロセス一覧

親プロセス名 (プロセス数)	機能	子プロセス名 (プロセス数)	機能
jajs_spmd.exe(1) ^{※1}	JP1/AJS3 サービス	jajs_dbmd.exe(組み込み DB 数)	DB 管理 組み込み DB を管理する。
		jajs_hstd.exe(1)	ホストサービス管理
		jajs_schd.exe(スケジューラーサービス数)	スケジューラーサービス管理
		jajs_agtd.exe(1)	エージェントサービス管理
ajsqlagtd.exe(1) ^{※2}	JP1/AJS3 Queueless Agent サービス (キューレスエージェントプロセス) JP1/AJS3 - Manager (スケジューラーサービス) からのキューレスジョブの実行要求を受け付ける。 ローカルホスト (自ホスト) でキューレスジョブを実行する場合に必要となる。	– (実行するジョブ数) ^{※3}	キューレスジョブ管理スレッド。 キューレスジョブを実行する。実行するジョブごとに生成される。 キューレスジョブの実行が終了すると消滅する。
ajsqlftpd.exe(1) ^{※4}	JP1/AJS3 Queueless File Transfer サービス (キューレスファイル転送プロセス) キューレスジョブ管理プロセスからのファイル転送要求を受け付ける。	– (ファイル転送要求数) ^{※3}	キューレスファイル転送スレッド。 転送ファイル、標準出力ファイル、および標準エラー出力ファイルのデータ転送を行う。 ファイル転送要求ごとに生成される。 ファイル転送が終了すると消滅する。

親プロセス名 (プロセス数)	機能	子プロセス名 (プロセス数)	機能
jpomlsrv.exe	JP1/AJS3 Mail サービス メールシステム連携 機能をサービス上で 使用する場合のメール 監視プロセス	jpomlapisend.exe	メールシステム連携 メール送信プロセス Outlook の送信トレイに新規メールを投入する プロセス。 メール送信ジョブの実行ごとに起動される。
		jpomlapi rec.exe	メールシステム連携 メール受信監視プロセス 受信メールが、メール受信監視ジョブに定義 した条件に合致するかどうかを、Outlook の 受信トレイを参照して判定するプロセス。 メール受信監視ジョブを実行すると、指定し た監視間隔ごとに起動される。
jpomldsk.exe	JP1/AJS3 メール監 視プロセス メールシステム連携 機能をデスクトップ 上で使用する場合の メール監視プロセス	jpomlapisend2.exe	メールシステム連携 メール送信プロセス Outlook の送信トレイに新規メールを投入する プロセス。 メール送信ジョブの実行ごとに起動される。
		jpomlapi rec2.exe	メールシステム連携 メール受信監視プロセス 受信メールが、メール受信監視ジョブに定義 した条件に合致するかどうかを、Outlook の 受信トレイを参照して判定するプロセス。 メール受信監視ジョブを実行すると、指定し た監視間隔ごとに起動される。
ajschkmansvc.exe(1)	JP1/AJS3 Check Manager サービス	ajschkmand.exe(1)	定義内容の事前チェックの制御 (マネージャー プロセス)
ajschkagtsvc.exe(1)	JP1/AJS3 Check Agent サービス	ajschkagtd.exe(1)	定義内容の事前チェックの制御 (エージェント プロセス)
as_service.exe(1)	フレキシブルジョブ 実行用プロセス	as_manager.exe(1)	JP1/AJS3 Autonomous Agent サービス用プ ロセス
as_iescscm.exe(1)	フレキシブルジョブ 実行用プロセス	as_iescsvr.exe(1)	JP1/AJS3 Autonomous Agent Messenger サービス用プロセス

注※1

管理用プロセスとして jajs_service.exe が存在します。

注※2

管理用プロセスとして ajsqlasvc.exe が存在します。

注※3

子プロセスを生成する代わりに、スレッドを生成します。括弧内の数値はスレッド数です。

注※4

管理用プロセスとして ajsqlfsvc.exe が存在します。

表 B-2 Windows 版 JP1/AJS3 - Manager の子プロセスおよび詳細プロセス一覧

子プロセス名	詳細プロセス名 (プロセス数)	機能
jajs_dbmd.exe	ajbdbmgrd.exe	DB 稼働制御 組み込み DB を起動、停止、および監視する。
jajs_hstd.exe	ajshlogd.exe	ホストサービス専用ログ管理
	ajsinetd.exe	JP1/AJS3 - View など、ほかのサーバからのアクセスを制御する、ネットワーク制御プロセス
	ajscdinetd.exe※1	JP1/AJS3 - Software Development Kit および JP1/AJS3 - Web Console からのアクセスを制御する、ネットワーク制御プロセス
	ajsnnetwd.exe	通信制御管理
	ajsgtmd.exe	エージェント管理
	ajsovsatd.exe	JP1/Cm2/NNM または HP NNM と連携している場合に、JP1/Cm2/NNM または HP NNM から JP1/AJS3 を監視する。 このプロセスは、詳細プロセスを持たない。
	ajsgwmasterd.exe	ジョブネットコネクタで異なるスケジューラサービス間のルートジョブネットの実行順序を制御する場合に、ジョブネットコネクタと接続先のジョブネット間の通信を行うスケジューラサービス間通信制御プロセスを管理する。
	ajsgtmond.exe	エージェント監視プロセス 実行エージェントの通信状態確認および通信状態回復確認を実施する。 このプロセスは、ジョブ配信遅延の軽減機能を使用する場合だけ生成される。
	jqpman.exe	ジョブ実行制御 マネージャプロセス サブミットの受け付けなど、ジョブ実行制御独自の処理のメインプロセス。
	jpomanager.exe	イベント・アクション制御マネージャプロセス イベントジョブを管理する。
jajs_schd.exe	ajsqlcltd.exe(1)※2	系切り替え時に、キューレスクラスタプロセスから自動で論理ホストをアタッチ・デタッチする。 このプロセスは、詳細プロセスを持たない。
	ajsllogd.exe	スケジューラログ出力プロセス
	jqpman.exe	ジョブ実行制御 マネージャプロセス サブミットの受け付けなど、ジョブ実行制御独自の処理のメインプロセス
	jpomanager.exe	イベント・アクション制御マネージャプロセス

子プロセス名	詳細プロセス名 (プロセス数)	機能
jajs_schd.exe	jpomanager.exe	イベントジョブを管理する。
	ajsmasterd.exe	スケジューラー スケジューラーサービスのプロセス全体を監視する。
jajs_agtd.exe	jpqmon.exe(1)	ジョブ実行制御 ジョブ実行制御のプロセス全体を監視する。
	jpoagent.exe(1)	イベント・アクション制御エージェントプロセス このプロセスでjpomanager.exe 以外の各監視用のプロセスを監視・制御する。JP1/AJS3 - Manager でも、jpoagent.exe が制御する。
ajsinetd.exe	ajsmonsvr.exe※3	JP1/AJS3 - View に接続されたときに起動するプロセス
	ajsrcmdsvr.exe	リモートジョブネット実行時、コマンドのリモート実行時、および JP1/AJS3 - View からの JP1/AJS3 コマンド実行時に起動するプロセス
ajscdinetd.exe※1	ajsmonsvr.exe※1, ※4	JP1/AJS3 - Software Development Kit および JP1/AJS3 - Web Console からの要求を処理するプロセス
ajsgwmasterd.exe	ajsgwd.exe	ジョブネットコネクタで異なるスケジューラーサービス間のルートジョブネットの実行順序を制御する場合に、ジョブネットコネクタと接続先のジョブネット間の通信を行うプロセス
jpomanager.exe	jpomgrsub.exe	イベント・アクション制御サブマネージャプロセス
ajsmasterd.exe	ajsschd.exe	スケジュール制御プロセス
	ajsschbd.exe※5	世代管理サブプロセス
	ajsfldwd.exe	フロー制御プロセス
	ajssubd.exe	ジョブサブミットプロセス
	ajssubwd.exe	ジョブ完了待ちプロセス
	jpqnfyfd.exe	ジョブ実行制御 状態通知プロセス
	ajsremnetcl.exe	リモートジョブネット登録・登録解除要求プロセス
	ajsreqd.exe	キューレスジョブリクエストプロセス このプロセスは、ajsfldwd.exe から最大 8 個起動される。
jpqmon.exe	jpqagt.exe	ジョブ実行制御 エージェントプロセス このプロセスによってジョブが起動される。
	jpoagent.exe	イベント・アクション制御サブエージェントプロセス

子プロセス名	詳細プロセス名 (プロセス数)	機能
jpoagent.exe	jpoagtsub.exe	主に各監視用プロセスからの情報をマネージャーに通知する役割を持つ。
	jpocwtflMain.exe	ファイル監視用プロセス
	jpocwtmMain.exe	実行間隔制御用プロセス
	jpoeventwatch.exe	イベント (JP1 イベントやログトラップなど) の監視用プロセス
	jpoevsearch.exe	イベント検索プロセス。 実行前のイベント検索が指定されているイベント受信監視ジョブの実行時に起動し、イベントの検索を実行するプロセス。
	jpocwtlmain.exe ^{※7}	メールシステム連携 メール監視用通信プロセス
	jpomlapisend.exe ^{※8}	メールシステム連携 メール送信プロセス (メールシステム連携機能をサービス上で使用する場合)
	jpomlapisend2.exe ^{※8}	メールシステム連携 メール送信プロセス (メールシステム連携機能をデスクトップ上で使用する場合)
	jpomlapirec.exe ^{※9}	メールシステム連携 メール受信監視プロセス (メールシステム連携機能をサービス上で使用する場合)
jpomlapirec2.exe ^{※9}	メールシステム連携 メール受信監視プロセス (メールシステム連携機能をデスクトップ上で使用する場合)	
as_manager.exe(1)	as_player.exe(実行するジョブ数+2)	フレキシブルジョブ実行用プロセス
as_player.exe	ajsfxexec.exe	フレキシブルジョブ実行用プロセス
	ajsfxdstr.exe	フレキシブルジョブ一斉配信用プロセス
	ajsfxbcctl.exe	フレキシブルジョブ一斉配信の宛先エージェント管理用プロセス

注

コマンド実行時は、コマンド名と同じ名称のプロセスが起動します。

注※1

JP1/AJS3 - Manager をバージョンアップインストールした場合で、かつ JP1/AJS3 - Software Development Kit を使用していない場合は、このプロセスはデフォルトでは起動されません。自動で起動する場合は、JP1/AJS3 用起動プロセス定義ファイル (jp1ajs_hstd.conf) を変更する必要があります。

詳細については、マニュアル「JP1/Automatic Job Management System 3 構築ガイド 3.4.1 JP1/AJS3 - Manager のセットアップ」(Windows の場合) またはマニュアル「JP1/Automatic Job

Management System 3 構築ガイド 13.3.1 JP1/AJS3 - Manager のセットアップ」(UNIX の場合)を参照してください。

注※2

`jajs_spmd_status` コマンドでは、`qlcltd` と表示されます。

キューレスジョブ使用時に、論理ホストを自動でアタッチ・デタッチするように、`jp1ajs_hstd.conf` ファイルを編集した場合だけ生成されます。詳細については、マニュアル「JP1/Automatic Job Management System 3 構築ガイド 8.2.7 キューレスジョブ実行環境の設定」を参照してください。

注※3

このプロセスは、JP1/AJS3 - View ウィンドウのツリーエリアで、スケジューラーサービスを選択した際に、選択したスケジューラーサービスに対して一つ起動されます。

最大プロセス起動数は、「スケジューラーサービス数 * JP1/AJS3 - View の接続数」です。

注※4

このプロセスは、JP1/AJS3 - Software Development Kit および JP1/AJS3 - Web Console で参照するスケジューラーサービスに対して一つ起動されます。

最大プロセス起動数は、「スケジューラーサービス数 * (JP1/AJS3 - Software Development Kit の接続数 + JP1/AJS3 - Web Console の接続数)」です。

注※5

マニュアル「JP1/Automatic Job Management System 3 構築ガイド 6.1.7 登録解除や保存世代数管理による世代削除処理方式の変更」の環境設定をした場合だけ、起動されます。

注※6

マニュアル「JP1/Automatic Job Management System 3 構築ガイド 6.1.8 待ち合わせ条件を使用するための設定」の環境設定をした場合だけ、起動されます。

注※7

メールシステム連携機能を使用するように設定していない場合は、起動されません。メールシステム連携機能の設定については、マニュアル「JP1/Automatic Job Management System 3 連携ガイド 2.3.4 メールシステム連携のための環境設定をする」を参照してください。

また、1 台のマシンで複数起動できません。

注※8

Outlook の送信トレイに新規メールを投入するプロセスです。メール送信ジョブの実行ごとに起動されます。

注※9

受信メールが、メール受信監視ジョブに定義した条件に合致するかどうかを、Outlook の受信トレイを参照して判定するプロセスです。メール受信監視ジョブを実行すると、指定した監視間隔ごとに起動されます。

(b) 互換用 ISAM 構成の場合

親プロセスおよび子プロセスの一覧を表 B-3 に、子プロセスおよび詳細プロセスの一覧を表 B-4 に示します。

なお、表中の親プロセス名および子プロセス名の後ろに記載されている値は、同時に起動できるプロセス数です。

表 B-3 Windows 版 JP1/AJS3 - Manager の親プロセスおよび子プロセス一覧

親プロセス名 (プロセス数)	機能	子プロセス名 (プロセス数)	機能
jajs_spmd.exe(1) ^{※1}	JP1/AJS3 サービス	jajs_hstd.exe(1)	ホストサービス管理
		jajs_agtd.exe(1)	エージェントサービス管理
aajsqlagtd.exe(1) ^{※2}	JP1/AJS3 Queueless Agent サービス (キューレスエージェントプロセス) JP1/AJS3 - Manager (スケジューラーサービス) からのキューレスジョブの実行要求を受け付ける。 ローカルホスト (自ホスト) でキューレスジョブを実行する場合に必要となる。	– (実行するジョブ数) ^{※3}	キューレスジョブ管理スレッド。 キューレスジョブを実行する。実行するジョブごとに生成される。 キューレスジョブの実行が終了すると消滅する。
aajsqlftpd.exe(1) ^{※4}	JP1/AJS3 Queueless File Transfer サービス (キューレスファイル転送プロセス) キューレスジョブ管理プロセスからのファイル転送要求を受け付ける。	– (ファイル転送要求数) ^{※3}	キューレスファイル転送スレッド。 転送ファイル、標準出力ファイル、および標準エラー出力ファイルのデータ転送を行う。 ファイル転送要求ごとに生成される。 ファイル転送が終了すると消滅する。
jpomlsrv.exe	JP1/AJS3 Mail サービス メールシステム連携機能をサービス上で使用する場合のメール監視プロセス	jpomlapisend.exe	メールシステム連携 メール送信プロセス Outlook の送信トレイに新規メールを投入するプロセス。 メール送信ジョブの実行ごとに起動される。
		jpomlapi rec.exe	メールシステム連携 メール受信監視プロセス 受信メールが、メール受信監視ジョブに定義した条件に合致するかどうかを、Outlook の受信トレイを参照して判定するプロセス。

親プロセス名 (プロセス数)	機能	子プロセス名 (プロセス数)	機能
jpomlsrv.exe	JP1/AJS3 Mail サービス メールシステム連携機能をサービス上で使用する場合のメール監視プロセス	jpomlapi rec.exe	メール受信監視ジョブを実行すると、指定した監視間隔ごとに起動される。
jpomldsk.exe	JP1/AJS3 メール監視プロセス メールシステム連携機能をデスクトップ上で使用する場合のメール監視プロセス	jpomlapisend2.exe	メールシステム連携 メール送信プロセス Outlook の送信トレイに新規メールを投入するプロセス。 メール送信ジョブの実行ごとに起動される。
		jpomlapi rec2.exe	メールシステム連携 メール受信監視プロセス 受信メールが、メール受信監視ジョブに定義した条件に合致するかどうかを、Outlook の受信トレイを参照して判定するプロセス。 メール受信監視ジョブを実行すると、指定した監視間隔ごとに起動される。
ajschkmansvc.exe(1)	JP1/AJS3 Check Manager サービス	ajschkmand.exe(1)	定義内容の事前チェックの制御 (マネージャープロセス)
ajschkagtsvc.exe(1)	JP1/AJS3 Check Agent サービス	ajschkagtd.exe(1)	定義内容の事前チェックの制御 (エージェントプロセス)

注※1

管理用プロセスとして jajs_service.exe が存在します。

注※2

管理用プロセスとして ajsqlasvc.exe が存在します。

注※3

子プロセスを生成する代わりに、スレッドを生成します。括弧内の数値はスレッド数です。

注※4

管理用プロセスとして ajsqlfsvc.exe が存在します。

表 B-4 Windows 版 JP1/AJS3 - Manager の子プロセスおよび詳細プロセス一覧

子プロセス名	詳細プロセス名 (プロセス数)	機能
jajs_hstd.exe	ajshlogd.exe	ホストサービス専用ログ管理
	ajsinetd.exe	JP1/AJS3 - View など、ほかのサーバからのアクセスを制御する、ネットワーク制御プロセス。
	ajscdinetd.exe※1	JP1/AJS3 - Software Development Kit からのアクセスを制御する、ネットワーク制御プロセス

子プロセス名	詳細プロセス名 (プロセス数)	機能
jajs_hstd.exe	ajsnetwd.exe	通信制御管理
	ajsovstatd.exe	JP1/Cm2/NNMまたはHP NNMと連携している場合に、JP1/Cm2/NNMまたはHP NNMからJP1/AJS3を監視する。 このプロセスは、詳細プロセスを持たない。
	ajsgwmasterd.exe	ジョブネットコネクタで異なるスケジューラーサービス間のルートジョブネットの実行順序を制御する場合に、ジョブネットコネクタと接続先のジョブネット間の通信を行うスケジューラーサービス間通信制御プロセスを管理する。
	jpqman.exe	ジョブ実行制御 マネージャープロセス サブミットの受け付けなど、ジョブ実行制御独自の処理のメインプロセス。
	jpomanager.exe	イベント・アクション制御マネージャープロセス イベントジョブを管理する。
	ajsmasterd.exe	スケジューラー スケジューラーサービスのプロセス全体を監視する。
	ajsqlcltd.exe(1)*2	系切り替え時に、キューレスタッププロセスから自動で論理ホストをアタッチ・デタッチする。 このプロセスは、詳細プロセスを持たない。
jajs_agtd.exe	jpqmon.exe	ジョブ実行制御 ジョブ実行制御のプロセス全体を監視する。
	jpoagent.exe	イベント・アクション制御エージェントプロセス このプロセスでjpomanager.exe以外の各監視用のプロセスを監視・制御する。JP1/AJS3 - Managerでも、jpoagent.exeが制御する。
ajsinetd.exe	ajsmonsvr.exe*3	JP1/AJS3 - Viewに接続されたときに起動するプロセス
	ajsrcmdsvr.exe	リモートジョブネット実行時、およびコマンドのリモート実行時に起動するプロセス
ajscdinetd.exe*1	ajsmonsvr.exe*1, *4	JP1/AJS3 - Software Development Kitからの要求を処理するプロセス
ajsgwmasterd.exe	ajsgwd.exe	ジョブネットコネクタで異なるスケジューラーサービス間のルートジョブネットの実行順序を制御する場合に、ジョブネットコネクタと接続先のジョブネット間の通信を行うプロセス。
jpomanager.exe	jpomgrsub.exe	イベント・アクション制御サブマネージャープロセス
ajsmasterd.exe	ajsqlgd.exe	スケジューラーログ出力プロセス

子プロセス名	詳細プロセス名 (プロセス数)	機能
ajsmasterd.exe	ajsschd.exe	スケジュール制御プロセス
	ajsschbd.exe ^{※5}	世代管理サブプロセス
	ajsflowd.exe	フロー制御プロセス
	ajssubd.exe	ジョブサブミットプロセス
	ajssubwd.exe	ジョブ完了待ちプロセス
	jpgnfyfd.exe	ジョブ実行制御 状態通知プロセス
	ajsremnetcl.exe	リモートジョブネット登録・登録解除要求プロセス
	ajsreqd.exe	キューレスジョブリクエストプロセス このプロセスは、ajsflowd.exe から最大 8 個起動される。
jpgmon.exe	jpgagt.exe	ジョブ実行制御 エージェントプロセス このプロセスによってジョブが起動される。
jpoagent.exe	jpoagtsub.exe	イベント・アクション制御サブエージェントプロセス 主に各監視用プロセスからの情報をマネージャーに通知する役割を持つ。
	jpocwtflMain.exe	ファイル監視用プロセス
	jpocwtmMain.exe	実行間隔制御用プロセス
	jpoeventwatch.exe	イベント (JP1 イベントやログトラップなど) の監視用プロセス
	jpoevsearch.exe	イベント検索プロセス。 実行前のイベント検索が指定されているイベント受信監視ジョブの実行時に起動し、イベントの検索を実行するプロセス。
	jpocwtlmain.exe ^{※6}	メールシステム連携 メール監視用通信プロセス
	jpomlapisend.exe ^{※7}	メールシステム連携 メール送信プロセス (メールシステム連携機能をサービス上で使用する場合)
	jpomlapisend2.exe ^{※7}	メールシステム連携 メール送信プロセス (メールシステム連携機能をデスクトップ上で使用する場合)
	jpomlapirec.exe ^{※8}	メールシステム連携 メール受信監視プロセス (メールシステム連携機能をサービス上で使用する場合)
	jpomlapirec2.exe ^{※8}	メールシステム連携 メール受信監視プロセス (メールシステム連携機能をデスクトップ上で使用する場合)

注

コマンド実行時は、コマンド名と同じ名称のプロセスが起動します。

注※1

このプロセスは、JP1/AJS3 - Software Development Kit を使用するためのセットアップで起動プロセス定義ファイルを変更している場合にだけ、起動されます。JP1/AJS3 - Software Development Kit については、マニュアル「JP1/Automatic Job Management System 3 - Software Development Kit 設計・構築ガイド」を参照してください。

注※2

`jajs_spmd_status` コマンドでは、`qlcltd` と表示されます。

キューレスジョブ使用時に、論理ホストを自動でアタッチ・デタッチするように、`jp1ajs_hstd.conf` ファイルを編集した場合だけ生成されます。詳細については、マニュアル「JP1/Automatic Job Management System 3 構築ガイド 8.2.7 キューレスジョブ実行環境の設定」を参照してください。

注※3

このプロセスは、JP1/AJS3 - View ウィンドウのツリーエリアで、スケジューラーサービスを選択した際に、選択したスケジューラーサービスに対して一つ起動されます。

最大プロセス起動数は、「スケジューラーサービス数 * JP1/AJS3 - View の接続数」です。

注※4

このプロセスは、JP1/AJS3 - Software Development Kit で参照するスケジューラーサービスに対して一つ起動されます。

最大プロセス起動数は、「スケジューラーサービス数 * JP1/AJS3 - Software Development Kit の接続数」です。

注※5

マニュアル「JP1/Automatic Job Management System 3 構築ガイド 6.1.7 登録解除や保存世代数管理による世代削除処理方式の変更」の環境設定をした場合だけ、起動されます。

注※6

メールシステム連携機能を使用するように設定していない場合は、起動されません。メールシステム連携機能の設定については、マニュアル「JP1/Automatic Job Management System 3 連携ガイド 2.3.4 メールシステム連携のための環境設定をする」を参照してください。

また、1 台のマシンで複数起動できません。

注※7

Outlook の送信トレイに新規メールを投入するプロセスです。メール送信ジョブの実行ごとに起動されます。

注※8

受信メールが、メール受信監視ジョブに定義した条件に合致するかどうかを、Outlook の受信トレイを参照して判定するプロセスです。メール受信監視ジョブを実行すると、指定した監視間隔ごとに起動されます。

(2) Windows 版 JP1/AJS3 - Agent のプロセス一覧

Windows 版 JP1/AJS3 - Agent は、次に示す 3 種類のプロセスで構成されます。

- 親プロセス
親プロセスは、幾つかの子プロセスで構成されます。
- 子プロセス
子プロセスは、幾つかの詳細プロセスで構成されます。
- 詳細プロセス

jajs_spmd の子プロセスの状態は、jajs_spmd_status コマンドで確認できます。詳細については、マニュアル「JP1/Automatic Job Management System 3 コマンドリファレンス 3. 通常の運用で使用するコマンド jajs_spmd_status」の説明を参照してください。

親プロセス、子プロセス、および詳細プロセスの状態は、[タスクマネージャ] ウィンドウの [プロセス] タブで確認できます。

親プロセスおよび子プロセスの一覧を表 B-5 に、子プロセスおよび詳細プロセスの一覧を表 B-6 に示します。

なお、表中の親プロセス名および子プロセス名の後ろに記載されている値は、同時に起動できるプロセス数です。

表 B-5 Windows 版 JP1/AJS3 - Agent の親プロセスおよび子プロセス一覧

親プロセス名 (プロセス数)	機能	子プロセス名 (プロセス数)	機能
jajs_spmd.exe (1)*1	JP1/AJS3 サービス	jpoagent.exe (1)*2	イベント・アクション制御エージェントプロセス
		jqmon.exe (1)*3	ジョブ実行制御 ジョブ実行制御のプロセス全体を監視する。
		ajsqlcltd.exe (1)*4	系切り替え時に、キューレスクラスタプロセスから自動で論理ホストをアタッチ・デタッチする。 このプロセスは、詳細プロセスを持たない。
ajsqlagtd.exe(1)*5	JP1/AJS3 Queueless Agent サービス (キューレス エージェントプロセス) JP1/AJS3 - Manager (スケジューラーサー ビス) からのキューレ	－ (実行するジョブ数)*6	キューレスジョブ管理スレッド。 キューレスジョブを実行する。実行するジョ ブごとに生成される。 キューレスジョブの実行が終了すると消滅す る。

親プロセス名 (プロセス数)	機能	子プロセス名 (プロセス数)	機能
ajsqlagtd.exe(1) ^{※5}	スジョブの実行要求を受け付ける。	－ (実行するジョブ数) ^{※6}	キューレスジョブ管理スレッド。 キューレスジョブを実行する。実行するジョブごとに生成される。 キューレスジョブの実行が終了すると消滅する。
jpomlsrv.exe	JP1/AJS3 Mail サービス メールシステム連携機能をサービス上で使用する場合のメール監視プロセス	jpomlapisend.exe	メールシステム連携 メール送信プロセス Outlook の送信トレイに新規メールを投入するプロセス。 メール送信ジョブの実行ごとに起動される。
		jpomlapirec.exe	メールシステム連携 メール受信監視プロセス 受信メールが、メール受信監視ジョブに定義した条件に合致するかどうかを、Outlook の受信トレイを参照して判定するプロセス。 メール受信監視ジョブを実行すると、指定した監視間隔ごとに起動される。
jpomldsk.exe	JP1/AJS3 メール監視プロセス メールシステム連携機能をデスクトップ上で使用する場合のメール監視プロセス	jpomlapisend2.exe	メールシステム連携 メール送信プロセス Outlook の送信トレイに新規メールを投入するプロセス。 メール送信ジョブの実行ごとに起動される。
		jpomlapirec2.exe	メールシステム連携 メール受信監視プロセス 受信メールが、メール受信監視ジョブに定義した条件に合致するかどうかを、Outlook の受信トレイを参照して判定するプロセス。 メール受信監視ジョブを実行すると、指定した監視間隔ごとに起動される。
ajschkagtsvc.exe(1)	JP1/AJS3 Check Agent サービス	ajschkagtd.exe(1)	定義内容の事前チェックの制御 (エージェントプロセス)
as_service.exe(1)	フレキシブルジョブ実行用プロセス	as_manager.exe(1)	JP1/AJS3 Autonomous Agent サービス用プロセス
as_iescscm.exe(1)	フレキシブルジョブ実行用プロセス	as_iescsvr.exe(1)	JP1/AJS3 Autonomous Agent Messenger サービス用プロセス

注※1

管理用プロセスとして jajs_service.exe が存在します。

注※2

jajs_spmd_status コマンドでは、evactiona と表示されます。

注※3

jajs_spmd_status コマンドでは、queue と表示されます。

注※4

jajs_spmd_status コマンドでは、qlcltd と表示されます。

キューレスジョブ使用時に、論理ホストを自動でアタッチ・デタッチするように、jp1ajs_spmd.conf ファイルを編集した場合だけ生成されます。詳細については、マニュアル「JP1/Automatic Job Management System 3 構築ガイド 8.2.7 キューレスジョブ実行環境の設定」を参照してください。

注※5

管理用プロセスとして ajsqlasvc.exe が存在します。

注※6

子プロセスを生成する代わりに、スレッドを生成します。括弧内の数値はスレッド数です。

表 B-6 Windows 版 JP1/AJS3 - Agent の子プロセスおよび詳細プロセス一覧

子プロセス名	詳細プロセス名	機能
jpoagent.exe	jpoagsub.exe	イベント・アクション制御サブエージェントプロセス 主に各監視用プロセスからの情報をマネージャーに通知する役割を持つ。
	jpocwtflMain.exe	ファイル監視用プロセス
	jpocwtmMain.exe	実行間隔制御用プロセス
	jpocwtlmain.exe※1	メールシステム連携 メール監視用通信プロセス
	jpoeventwatch.exe	イベント (JP1 イベントやログトラップなど) の監視用プロセス
	jpomlapisend.exe※2	メールシステム連携 メール送信プロセス (メールシステム連携機能をサービス上で使用する場合)
	jpomlapisend2.exe※2	メールシステム連携 メール送信プロセス (メールシステム連携機能をデスクトップ上で使用する場合)
	jpomlapirec.exe※3	メールシステム連携 メール受信監視プロセス (メールシステム連携機能をサービス上で使用する場合)
	jpomlapirec2.exe※3	メールシステム連携 メール受信監視プロセス (メールシステム連携機能をデスクトップ上で使用する場合)
	jpoevsearch.exe	イベント検索プロセス。 実行前のイベント検索が指定されているイベント受信監視ジョブの実行時に起動し、イベントの検索を実行するプロセス。
jpgmon.exe	jpgagt.exe	ジョブ実行制御 エージェントプロセス このプロセスによってジョブが起動される。
as_manager.exe(1)	as_player.exe	フレキシブルジョブ実行用プロセス
as_player.exe	ajsfxexec.exe	フレキシブルジョブ実行用プロセス

子プロセス名	詳細プロセス名	機能
as_player.exe	ajsfxdstr.exe	フレキシブルジョブー斉配信プロセス
	ajsfxbcctl.exe	フレキシブルジョブー斉配信の宛先エージェント管理用プロセス

注

コマンド実行時は、コマンド名と同じ名称のプロセスが起動します。

注※1

メールシステム連携機能を使用するように設定していない場合は、起動されません。メールシステム連携機能の設定については、マニュアル「JP1/Automatic Job Management System 3 連携ガイド 2.3.4 メールシステム連携のための環境設定をする」を参照してください。

また、1台のマシン上で複数起動できません。

注※2

Outlook の送信トレイに新規メールを投入するプロセスです。メール送信ジョブの実行ごとに起動されます。

注※3

受信メールが、メール受信監視ジョブに定義した条件に合致するかどうかを、Outlook の受信トレイを参照して判定するプロセスです。メール受信監視ジョブを実行すると、指定した監視間隔ごとに起動されます。

(3) Windows 版 JP1/AJS3 - View のプロセス一覧

Windows 版 JP1/AJS3 - View のプロセスは、[タスクマネージャ] ウィンドウの [プロセス] タブで確認できます。

Windows 版 JP1/AJS3 - View のプロセスの一覧を次の表に示します。

表 B-7 Windows 版 JP1/AJS3 - View のプロセス一覧

プロセス名	機能
ajs.exe	JP1/AJS3 - View のメインプロセス
java.exe	JP1/AJS3 - View の JavaGUI プロセス
ajs2java.exe	java.exe 監視プロセス

(4) Windows 版 JP1/AJS3 - Web Console のプロセス一覧

Windows 版 JP1/AJS3 - Web Console は、次に示す 3 種類のプロセスで構成されます。

- 親プロセス
親プロセスは、幾つかの子プロセスで構成されます。
- 子プロセス

子プロセスは、幾つかの詳細プロセスで構成されます。

- 詳細プロセス

親プロセス、および子プロセスの状態は、[タスクマネージャ] ウィンドウの [プロセス] タブで確認できます。

親プロセスおよび子プロセスの一覧を表 B-8 に、子プロセスおよび詳細プロセスの一覧を表 B-9 に示します。なお、表中の親プロセス名および子プロセス名の後ろに記載されている値は、同時に起動できるプロセス数です。

表 B-8 Windows 版 JP1/AJS3 - Web Console の親プロセスおよび子プロセス一覧

親プロセス名 (プロセス数)	機能	子プロセス名 (プロセス数)	機能
httpsd.exe(1)	JP1/AJS3 HTTP Server サービス	httpsd.exe(1)	Web サービスプロセス
		rotatelog2.exe(3)*	Web サービス用のログ分割ユーティリティ
jaajs_web_service.exe(1)	JP1/AJS3 Web Application Server サービス	cjstartsv.exe (1)	J2EE サーバプロセス

注※

JP1/AJS3 - Web Console がクライアントホストと SSL で通信する場合、プロセス数は 4 です。

表 B-9 Windows 版 JP1/AJS3 - Web Console の子プロセスおよび詳細プロセス一覧

子プロセス名	詳細プロセス名 (プロセス数)	機能
httpsd.exe	rotatelog2.exe(3)*	Web サービス用のログ分割ユーティリティ

注

コマンド実行時は、コマンド名と同じ名称のプロセスが起動します。

注※

JP1/AJS3 - Web Console がクライアントホストと SSL で通信する場合、プロセス数は 4 です。

付録 B.3 プロセス一覧 (UNIX の場合)

UNIX 版の JP1/AJS3 のプログラムおよびコンポーネントのプロセス一覧を記載します。

(1) UNIX 版 JP1/AJS3 - Manager のプロセス一覧

UNIX 版 JP1/AJS3 - Manager は、次に示す 3 種類のプロセスで構成されます。

- 親プロセス

親プロセスは、幾つかの子プロセスで構成されます。

- 子プロセス
子プロセスは、幾つかの詳細プロセスで構成されます。
- 詳細プロセス

jajs_spmd の子プロセスの状態は、jajs_spmd_status コマンドで確認できます。詳細については、マニュアル「JP1/Automatic Job Management System 3 コマンドリファレンス 3. 通常の運用で使用するコマンド jajs_spmd_status」の説明を参照してください。

親プロセス、子プロセス、および詳細プロセスの状態は、ps コマンドで確認できます。

(a) 標準構成の場合

親プロセスおよび子プロセスの一覧を表 B-10 に、子プロセスおよび詳細プロセスの一覧を表 B-11 に示します。

なお、表中の親プロセス名および子プロセス名の後ろに記載されている値は、同時に起動できるプロセス数です。

表 B-10 UNIX 版 JP1/AJS3 - Manager の親プロセスおよび子プロセス一覧

親プロセス名 (プロセス数)	機能	子プロセス名 (プロセス数)	機能
jajs_spmd(1) ^{*1}	JP1/AJS3 サービス	jajs_dbmd_組み込みDBセットアップ識別子(1) ^{*2}	DB 管理 組み込み DB を管理するプロセス。
		jajs_hstd(1)	ホストサービス管理
		jajs_schd_スケジューラーサービス名(1) ^{*3}	スケジューラーサービス管理
		jajs_agtd(1)	エージェントサービス管理
ajsqlagtd(1)	JP1/AJS3 Queueless Agent サービス (キューレスエージェントプロセス) JP1/AJS3 - Manager (スケジューラーサービス) からのキューレスジョブの実行要求を受け付ける。	ajsqlagtd(実行するジョブ数)	キューレスジョブ管理プロセス。 キューレスジョブを実行する。 JP1/AJS3 Queueless Agent サービス (キューレスエージェントプロセス) から、同名のプロセス名が実行するジョブごとに生成される。 キューレスジョブの実行が終了すると消滅する。 このプロセスは、詳細プロセスを持たない。 ローカルホスト (自ホスト) でキューレスジョブを実行する場合に、必要となる。
ajsqlftpd(1)	JP1/AJS3 Queueless File Transfer サービス (キューレスファイル転送プロセス)	ajsqlftpd(ファイル転送要求数)	キューレスファイル転送ワーカプロセス。 転送ファイル、標準出力ファイル、および標準エラー出力ファイルのデータ転送を行う。

親プロセス名 (プロセス数)	機能	子プロセス名 (プロセス数)	機能
ajsqlftpd(1)	キューレスジョブ管理プロセスからのファイル転送要求を受け付ける。	ajsqlftpd(ファイル転送要求数)	JP1/AJS3 Queueless File Transfer サービス (キューレスファイル転送プロセス) から、同名のプロセス名がファイル転送要求ごとに生成される。 ファイル転送が終了すると消滅する。 このプロセスは、詳細プロセスを持たない。
ajschkmand(1)	JP1/AJS3 Check Manager サービス 定義内容の事前チェックの制御 (マネージャプロセス)	—	—
ajschkagtd(1)	JP1/AJS3 Check Agent サービス	ajschkagtd(5)	定義内容の事前チェックの制御 (エージェントプロセス)
as_manager(1)	JP1/AJS3 Autonomous Agent サービス用プロセス	as_player(実行するジョブ数+1)	フレキシブルジョブ実行用プロセス
as_iescsvr(1)	JP1/AJS3 Autonomous Agent Messenger サービス用プロセス	—	—

(凡例)

— : 該当なし

注※1

コマンドラインで論理ホスト名を指定した場合には、物理ホストに対応したプロセスと論理ホストに対応したプロセスとを区別できます。

論理ホスト対応のプロセス名は、「プロセス名 -h 論理ホスト名」です。

例えば、論理ホスト名が「hostA」の場合、hostA 対応の jajs_spmnd プロセスは、「jajs_spmnd -h hostA」です。

注※2

プロセス名は「jajs_dbmd_組み込み DB セットアップ識別子」です。

例えば、組み込み DB セットアップ識別子が「_JF0」の場合、プロセス名は「jajs_dbmd__JF0」です。複数の組み込み DB を使用している場合は、組み込み DB 数分のプロセスが起動されます。

注※3

プロセス名は「jajs_schd_スケジューラーサービス名」です。

例えば、スケジューラーサービス名が「AJSR00T1」の場合、プロセス名は「jajs_schd_AJSR00T1」です。スケジューラーサービスを多重起動している場合は、スケジューラーサービス数分のプロセスが起動されます。

表 B-11 UNIX 版 JP1/AJS3 - Manager の子プロセスおよび詳細プロセス一覧

子プロセス名	詳細プロセス名	機能
jajs_dbmd_組み込み DB セット アップ識別子	ajbdbmgrd	DB 稼働制御 組み込み DB を起動, 停止, および監視する。
jajs_hstd	ajshlogd	ホストサービス専用ログ管理
	ajsinetd	ほかのサーバからのアクセスを制御する, ネットワーク制御プロセス。
	ajscdinetc ^{※1}	JP1/AJS3 - Software Development Kit および JP1/AJS3 - Web Console からのアクセスを制御する, ネットワーク制御プロセス
	ajsnetwd	通信制御管理
	ajsagtmd	エージェント管理
	ajsovsatd	JP1/Cm2/NNM または HP NNM と連携している場合に, JP1/Cm2/NNM または HP NNM から JP1/AJS3 を監視する。 このプロセスは, 詳細プロセスを持たない。
	ajsgwmasterd	ジョブネットコネクタで異なるスケジューラサービス間のルートジョブネットの実行順序を制御する場合に, ジョブネットコネクタと接続先のジョブネット間の通信を行うスケジューラサービス間通信制御プロセスを管理する。
	ajsagtmond	エージェント監視プロセス 実行エージェントの通信状態確認および通信状態回復確認を実施する。 このプロセスは, ジョブ配信遅延の軽減機能を使用する場合だけ生成される。
	jpgman ^{※2, ※3}	ジョブ実行制御 マネージャプロセス サブミットの受け付けなど, ジョブ実行制御独自の処理のメインプロセス。
jajs_schd	jpgmanager	イベント・アクション制御マネージャプロセス イベントジョブを管理する。
	ajslgdc	スケジューラログ出力プロセス
	jpgman ^{※2}	ジョブ実行制御 マネージャプロセス サブミットの受け付けなど, ジョブ実行制御独自の処理のメインプロセス。
	ajsmasterd	スケジューラ スケジューラサービスのプロセス全体を監視する。

子プロセス名	詳細プロセス名	機能
jajs_agtd	jpgmon	ジョブ実行制御 ジョブ実行制御のプロセス全体を監視する。
	jpoagent	イベント・アクション制御エージェントプロセス このプロセスでjpomanager 以外の各監視用のプロセスを監視・制御する。JP1/AJS3 - Manager でも、jpoagent が制御する。
ajsinetd	ajsmonsvr ^{※4}	JP1/AJS3 - View に接続されたときに起動するプロセス このプロセスは、詳細プロセスを持たない。
	ajsrcmdsvr	リモートジョブネット実行時、コマンドのリモート実行時、および JP1/AJS3 - View からの JP1/AJS3 コマンド実行時に起動するプロセス
ajscdinetd ^{※1}	ajsmonsvr ^{※1, ※5}	JP1/AJS3 - Software Development Kit および JP1/AJS3 - Web Console からの要求を処理するプロセス
ajsgwmasterd ^{※2}	ajsgwd ^{※6}	スケジューラサービス間通信制御プロセス ジョブネットコネクタで異なるスケジューラサービス間のルートジョブネットの実行順序を制御する場合に、ジョブネットコネクタと接続先のジョブネット間の通信を行うプロセス。
jpomanager ^{※2}	jpgmgrsub ^{※2}	イベント・アクション制御サブマネージャプロセス
ajsmasterd	ajsschd ^{※6}	スケジュール制御プロセス
	ajsschbd ^{※6, ※7}	世代管理サブプロセス
	ajsflowd ^{※6}	フロー制御プロセス
	ajssubd ^{※6}	ジョブサブミットプロセス
	ajssubwd ^{※6}	ジョブ完了待ちプロセス
	jpgnfyfd ^{※2}	ジョブ実行制御 状態通知プロセス
	ajsremnetcl ^{※6}	リモートジョブネット登録・登録解除要求プロセス
	ajsreqd ^{※6}	キューレスジョブリクエストプロセス このプロセスは、ajsflowd から最大 8 個起動される。
	ajsflbd ^{※6, ※8}	フロー制御サブプロセス
jpgmon ^{※2}	jpgagt ^{※2}	ジョブ実行制御 エージェントプロセス このプロセスによってジョブが起動される。
	jpgagtdmn ^{※2}	ジョブ実行制御 ジョブ監視プロセス起動プロセス ジョブ監視プロセスを起動するためのプロセス。常時 5 個起動する。クラスタシステムでは、論理ホストごとに 5 個ずつ起動する。

子プロセス名	詳細プロセス名	機能
jqmon ^{※2}	jqagatchild ^{※2}	ジョブ実行制御 ジョブ監視プロセス ジョブプロセスの実行を監視するためのプロセス。初期状態では5個起動する。さらに、実行ジョブごとに1個ずつ起動する。クラスタシステムでは、論理ホストごとに5個ずつ起動する。
jpoagent ^{※2}	jpoagtsub ^{※2}	イベント・アクション制御サブエージェントプロセス 主に各監視用プロセスからの情報をマネージャーに通知する役割を持つ。
	jpocwtfMain ^{※2}	ファイル監視用プロセス
	jpocwtmMain ^{※2}	実行間隔制御用プロセス
	jpoeventwatch ^{※2}	イベント (JP1 イベントやログトラップなど) の監視用プロセス
	jpoevsearch ^{※2}	イベント検索プロセス。 実行前のイベント検索が指定されているイベント受信監視ジョブの実行時に起動し、イベントの検索を実行するプロセス。
	jpocwtlmain ^{※2}	メール監視用通信プロセス
as_player	ajsfxexec	フレキシブルジョブ実行用プロセス
	ajsfxdstr	フレキシブルジョブ一斉配信用プロセス
	ajsfxbcctl	フレキシブルジョブ一斉配信の宛先エージェント管理用プロセス

注

コマンド実行時は、コマンド名と同じ名称のプロセスが起動します。

注※1

JP1/AJS3 - Manager をバージョンアップインストールした場合で、かつ JP1/AJS3 - Software Development Kit を使用していない場合は、このプロセスはデフォルトでは起動されません。自動で起動する場合は、JP1/AJS3 用起動プロセス定義ファイル (jp1ajs_hstd.conf) を変更する必要があります。

詳細については、マニュアル「JP1/Automatic Job Management System 3 構築ガイド 3.4.1 JP1/AJS3 - Manager のセットアップ」(Windows の場合) またはマニュアル「JP1/Automatic Job Management System 3 構築ガイド 13.3.1 JP1/AJS3 - Manager のセットアップ」(UNIX の場合) を参照してください。

注※2

論理ホスト対応のプロセス名は、「プロセス名 論理ホスト名」です。

例えば、論理ホスト名が「hostA」の場合、hostA 対応の ajsmasterd プロセスは、「ajsmasterd hostA」です。

注※3

HP-UX, AIX, および Linux の場合, 詳細プロセス名は「jpmqman32」です。

注※4

このプロセスは, JP1/AJS3 - View ウィンドウのツリーエリアで, スケジューラーサービスを選択した際に, 選択したスケジューラーサービスに対して一つ起動されます。

最大プロセス起動数は, 「スケジューラーサービス数 * JP1/AJS3 - View の接続数」です。

注※5

このプロセスは, JP1/AJS3 - Software Development Kit および JP1/AJS3 - Web Console で参照するスケジューラーサービスに対して一つ起動されます。

最大プロセス起動数は, 「スケジューラーサービス数 * (JP1/AJS3 - Software Development Kit の接続数 + JP1/AJS3 - Web Console の接続数)」です。

注※6

物理ホストに対応したプロセスと, 論理ホストに対応したプロセスとを区別できます。論理ホスト対応のプロセス名は, 「プロセス名_論理ホスト名」です。

例えば, 論理ホスト名が「hostA」の場合, hostA 対応の ajsschd プロセスは, 「ajsschd_hostA」です。

注※7

マニュアル「JP1/Automatic Job Management System 3 構築ガイド 15.1.7 登録解除や保存世代数管理による世代削除処理方式の変更」の環境設定をした場合だけ, 起動されます。

注※8

マニュアル「JP1/Automatic Job Management System 3 構築ガイド 15.1.8 待ち合わせ条件を使用するための設定」の環境設定をした場合だけ, 起動されます。

(b) 互換用 ISAM 構成の場合

親プロセスおよび子プロセスの一覧を表 B-12 に, 子プロセスおよび詳細プロセスの一覧を表 B-13 に示します。

なお, 表中の親プロセス名および子プロセス名の後ろに記載されている値は, 同時に起動できるプロセス数です。

表 B-12 UNIX 版 JP1/AJS3 - Manager の親プロセスおよび子プロセス一覧

親プロセス名 (プロセス数)	機能	子プロセス名 (プロセス数)	機能
jajs_spm(1)*	JP1/AJS3 サービス	jajs_hstd(1)	ホストサービス管理
		jajs_agtd(1)	エージェントサービス管理
ajsqtagtd(1)	JP1/AJS3 Queueless Agent サービス (キューレスエージェントプロセス)	ajsqtagtd (実行するジョブ数)	キューレスジョブ管理プロセス。 キューレスジョブを実行する。

親プロセス名 (プロセス数)	機能	子プロセス名 (プロセス数)	機能
ajsqlagtd(1)	JP1/AJS3 - Manager (スケジューラーサービス) からのキューレスジョブの 実行要求を受け付ける。	ajsqlagtd (実行す るジョブ数)	JP1/AJS3 Queueless Agent サービス (キュー レスエージェントプロセス) から、同名のプロセ ス名が実行するジョブごとに生成される。 キューレスジョブの実行が終了すると消滅する。 このプロセスは、詳細プロセスを持たない。 ローカルホスト (自ホスト) でキューレスジョブ を実行する場合に、必要となる。
ajsqlftpd(1)	JP1/AJS3 Queueless File Transfer サービス (キューレスファイル転送 プロセス) キューレスジョブ管理プロ セスからのファイル転送要 求を受け付ける。	ajsqlftpd (ファイ ル転送要求数)	キューレスファイル転送ワーカプロセス。 転送ファイル、標準出力ファイル、および標準エ ラー出力ファイルのデータ転送を行う。 JP1/AJS3 Queueless File Transfer サービス (キューレスファイル転送プロセス) から、同名 のプロセス名がファイル転送要求ごとに生成され る。 ファイル転送が終了すると消滅する。 このプロセスは、詳細プロセスを持たない。
ajschkmand(1)	JP1/AJS3 Check Manager サービス 定義内容の事前チェックの 制御 (マネージャプロセ ス)	—	—
ajschkagtd(1)	JP1/AJS3 Check Agent サービス	ajschkagtd(5)	定義内容の事前チェックの制御 (エージェントプ ロセス)

(凡例)

— : 該当なし

注※

コマンドラインで論理ホスト名を指定した場合には、物理ホストに対応したプロセスと論理ホストに対
応したプロセスとを区別できます。

論理ホスト対応のプロセス名は、「プロセス名 -h 論理ホスト名」となります。

例えば、論理ホスト名が「hostA」の場合、hostA 対応の jajs_spmd プロセスは、「jajs_spmd -h
hostA」となります。

表 B-13 UNIX 版 JP1/AJS3 - Manager の子プロセスおよび詳細プロセス一覧

子プロセス名	詳細プロセス名	機能
jajs_hstd	ajshlogd	ホストサービス専用ログ管理
	ajsinetd	ほかのサーバからのアクセスを制御する、ネットワーク 制御プロセス。

子プロセス名	詳細プロセス名	機能
jajs_hstd	ajscdinetd ^{※1}	JP1/AJS3 - Software Development Kit からのアクセスを制御する、ネットワーク制御プロセス
	ajsnetwd	通信制御管理
	ajsovstatd	JP1/Cm2/NNM または HP NNM と連携している場合に、JP1/Cm2/NNM または HP NNM から JP1/AJS3 を監視する。 このプロセスは、詳細プロセスを持たない。
	ajsgwmasterd	ジョブネットコネクタで異なるスケジューラーサービス間のルートジョブネットの実行順序を制御する場合に、ジョブネットコネクタと接続先のジョブネット間の通信を行うスケジューラーサービス間通信制御プロセスを管理する。
	jpqman ^{※2}	ジョブ実行制御 マネージャープロセス サブミットの受け付けなど、ジョブ実行制御独自の処理のメインプロセス。
	jpomanager	イベント・アクション制御マネージャープロセス イベントジョブを管理する。
	ajsmasterd	スケジューラー スケジューラーサービスのプロセス全体を監視する。
jajs_agtd	jpqmon	ジョブ実行制御 ジョブ実行制御のプロセス全体を監視する。
	jpoagent	イベント・アクション制御エージェントプロセス このプロセスでjpomanager 以外の各監視用のプロセスを監視・制御する。JP1/AJS3 - Manager でも、jpoagent が制御する。
ajsinetd	ajsmonsvr ^{※3}	JP1/AJS3 - View に接続されたときに起動するプロセス このプロセスは、詳細プロセスを持たない。
	ajsrcmdsvr	リモートジョブネット実行時、およびコマンドのリモート実行時に起動するプロセス
ajscdinetd ^{※1}	ajsmonsvr ^{※1, ※4}	JP1/AJS3 - Software Development Kit からの要求を処理するプロセス
ajsgwmasterd ^{※2}	ajsgwd ^{※5}	スケジューラーサービス間通信制御プロセス ジョブネットコネクタで異なるスケジューラーサービス間のルートジョブネットの実行順序を制御する場合に、ジョブネットコネクタと接続先のジョブネット間の通信を行うプロセス。
jpomanager ^{※2}	jpomgrsub ^{※2}	イベント・アクション制御サブマネージャープロセス
ajsmasterd	ajslodg ^{※5}	スケジューラーログ出力プロセス

子プロセス名	詳細プロセス名	機能
ajsmasterd	ajsschd※5	スケジュール制御プロセス
	ajsschbd※5, ※6	世代管理サブプロセス
	ajsf lowd※5	フロー制御プロセス
	ajssubd※5	ジョブサブミットプロセス
	ajssubwd※5	ジョブ完了待ちプロセス
	jpqnf yfd※2	ジョブ実行制御 状態通知プロセス
	ajsremnetcl※5	リモートジョブネット登録・登録解除要求プロセス
	ajsreqd※5	キューレスジョブリクエストプロセス このプロセスは、ajsf lowd から最大 8 個起動される。
jpqmon※2	jpqagt※2	ジョブ実行制御 エージェントプロセス このプロセスによってジョブが起動される。
	jpqagtdmn※2	ジョブ実行制御 ジョブ監視プロセス起動プロセス ジョブ監視プロセスを起動するためのプロセス。常時 5 個起動する。クラスタシステムでは、論理ホストごとに 5 個ずつ起動する。
	jpqagtchild※2	ジョブ実行制御 ジョブ監視プロセス ジョブプロセスの実行を監視するためのプロセス。初期状態では 5 個起動する。さらに、実行ジョブごとに 1 個ずつ起動する。クラスタシステムでは、論理ホストごとに 5 個ずつ起動する。
jpoagent※2	jpoagtsub※2	イベント・アクション制御サブエージェントプロセス 主に各監視用プロセスからの情報をマネージャーに通知する役割を持つ。
	jpocwtf lMain※2	ファイル監視用プロセス
	jpocwttmMain※2	実行間隔制御用プロセス
	jpoeventwatch※2	イベント (JP1 イベントやログトラップなど) の監視用プロセス
	jpoevsearch※2	イベント検索プロセス。 実行前のイベント検索が指定されているイベント受信監視ジョブの実行時に起動し、イベントの検索を実行するプロセス。
	jpocwtmlmain※2	メール監視用通信プロセス

注

コマンド実行時は、コマンド名と同じ名称のプロセスが起動します。

注※1

このプロセスは、JP1/AJS3 - Software Development Kit を使用するためのセットアップで起動プロセス定義ファイルを変更している場合にだけ、起動されます。JP1/AJS3 - Software Development Kit については、マニュアル「JP1/Automatic Job Management System 3 - Software Development Kit 設計・構築ガイド」を参照してください。

注※2

論理ホスト対応のプロセス名は、「プロセス名_論理ホスト名」です。

例えば、論理ホスト名が「hostA」の場合、hostA 対応の ajsmasterd プロセスは、「ajsmasterd_hostA」です。

注※3

このプロセスは、JP1/AJS3 - View ウィンドウのツリーエリアで、スケジューラーサービスを選択した際に、選択したスケジューラーサービスに対して一つ起動されます。

最大プロセス起動数は、「スケジューラーサービス数 * JP1/AJS3 - View の接続数」です。

注※4

このプロセスは、JP1/AJS3 - Software Development Kit で参照するスケジューラーサービスに対して一つ起動されます。

最大プロセス起動数は、「スケジューラーサービス数 * JP1/AJS3 - Software Development Kit の接続数」です。

注※5

物理ホストに対応したプロセスと、論理ホストに対応したプロセスとを区別できます。論理ホスト対応のプロセス名は、「プロセス名_論理ホスト名」です。

例えば、論理ホスト名が「hostA」の場合、hostA 対応の ajsschd プロセスは、「ajsschd_hostA」です。

注※6

マニュアル「JP1/Automatic Job Management System 3 構築ガイド 15.1.7 登録解除や保存世代数管理による世代削除処理方式の変更」の環境設定をした場合だけ、起動されます。

(2) UNIX 版 JP1/AJS3 - Agent のプロセス一覧

UNIX 版 JP1/AJS3 - Agent は、次に示す 3 種類のプロセスで構成されます。

- 親プロセス
親プロセスは、幾つかの子プロセスで構成されます。
- 子プロセス
子プロセスは、幾つかの詳細プロセスで構成されます。
- 詳細プロセス

jajs_spmd の子プロセスの状態は、jajs_spmd_status コマンドで確認できます。詳細については、マニュアル「JP1/Automatic Job Management System 3 コマンドリファレンス 3. 通常の運用で使用するコマンド jajs_spmd_status」の説明を参照してください。

親プロセス、子プロセス、および詳細プロセスの状態は、ps コマンドで確認できます。

親プロセスおよび子プロセスの一覧を表 B-14 に、子プロセスおよび詳細プロセスの一覧を表 B-15 に示します。

なお、表中の親プロセス名および子プロセス名の後ろに記載されている値は、同時に起動できるプロセス数です。

表 B-14 UNIX 版 JP1/AJS3 - Agent の親プロセスおよび子プロセス一覧

親プロセス名 (プロセス数)	機能	子プロセス名 (プロセス数)	機能
jajs_spmd(1)*	JP1/AJS3 サービス	jpoagent(1)	イベント・アクション制御エージェントプロセス
		jpoqmon(1)	ジョブ実行制御 ジョブ実行制御のプロセス全体を監視する。
aajsqlagtd(1)	JP1/AJS3 Queueless Agent サービス (キューレスエージェントプロセス) JP1/AJS3 - Manager (スケジューラーサービス) からのキューレスジョブの実行要求を受け付ける。	aajsqlagtd (実行するジョブ数)	キューレスジョブ管理プロセス。 キューレスジョブを実行する。 JP1/AJS3 Queueless Agent サービス (キューレスエージェントプロセス) から、同名のプロセス名が実行するジョブごとに生成される。 キューレスジョブの実行が終了すると消滅する。 このプロセスは、詳細プロセスを持たない。
aajschkagtd(1)	JP1/AJS3 Check Agent サービス	aajschkagtd(5)	定義内容の事前チェックの制御 (エージェントプロセス)
as_manager(1)	JP1/AJS3 Autonomous Agent サービス用プロセス	as_player(実行するジョブ数+1)	フレキシブルジョブ実行用プロセス
as_iescsvr(1)	JP1/AJS3 Autonomous Agent Messenger サービス用プロセス	—	—

注※

コマンドラインで論理ホスト名を指定した場合には、物理ホストに対応したプロセスと論理ホストに対応したプロセスとを区別できます。

論理ホスト対応のプロセス名は、「プロセス名 -h 論理ホスト名」となります。例えば、論理ホスト名が「hostA」の場合、hostA 対応の jajs_spmd プロセスは、「jajs_spmd -h hostA」となります。

表 B-15 UNIX 版 JP1/AJS3 - Agent の子プロセスおよび詳細プロセス一覧

子プロセス名	詳細プロセス名	機能
jpoagent*	jpoagtdsub*	イベント・アクション制御サブエージェントプロセス 主に各監視用プロセスからの情報をマネージャーに通知する役割を持つ。

子プロセス名	詳細プロセス名	機能
jpoagent [※]	jpocwtfMain [※]	ファイル監視用プロセス
	jpocwtmMain [※]	実行間隔制御用プロセス
	jpocwtlmain [※]	メール監視用通信プロセス
	jpoeventwatch [※]	イベント (JP1 イベントやログトラップなど) の監視用プロセス
	jpoevsearch [※]	イベント検索プロセス。 実行前のイベント検索が指定されているイベント受信監視ジョブの実行時に起動し、イベントの検索を実行するプロセス。
jppqmon [※]	jppqagt [※]	ジョブ実行制御 エージェントプロセス このプロセスによってジョブが起動される。
	jppqagtdmn [※]	ジョブ実行制御 ジョブ監視プロセス起動プロセス ジョブ監視プロセスを起動するためのプロセス。常時5個起動する。クラスタシステムでは、論理ホストごとに5個ずつ起動する。
	jppqagtchild [※]	ジョブ実行制御 ジョブ監視プロセス ジョブプロセスの実行を監視するためのプロセス。初期状態では5個起動する。さらに、実行ジョブごとに1個ずつ起動する。クラスタシステムでは、論理ホストごとに5個ずつ起動する。
as_player	ajsfxexec	フレキシブルジョブ実行用プロセス
	ajsfxdstr	フレキシブルジョブ一斉配信用プロセス
	ajsfxbctl	フレキシブルジョブ一斉配信の宛先エージェント管理用プロセス

注

コマンド実行時は、コマンド名と同じ名称のプロセスが起動します。

注※

物理ホストに対応したプロセスと、論理ホストに対応したプロセスとを区別できます。

論理ホスト対応のプロセス名は、「プロセス名 論理ホスト名」となります。

例えば、論理ホスト名が「hostA」の場合、hostA 対応の jpoagent プロセスは、「jpoagent hostA」となります。

(3) Linux 版 JP1/AJS3 - Web Console のプロセス一覧

Linux 版 JP1/AJS3 - Web Console は、次に示す 2 種類のプロセスで構成されます。

- 親プロセス
親プロセスは、幾つかの子プロセスで構成されます。

- 子プロセス
子プロセスは、幾つかの詳細プロセスで構成されます。
- 詳細プロセス

親プロセス、および子プロセスの状態は、`ps` コマンドで確認できます。

親プロセスおよび子プロセスの一覧を表 B-16 に示します。なお、表中の親プロセス名および子プロセス名の後ろに記載されている値は、同時に起動できるプロセス数です。

表 B-16 Linux 版 JP1/AJS3 - Web Console の親プロセスおよび子プロセス一覧

親プロセス名 (プロセス数)	機能	子プロセス名 (プロセス数)	機能
httpsd(1)	JP1/AJS3 HTTP Server サービス	httpsd(5~150)	Web サービスプロセス JP1/AJS3 - Web Console への HTTP リクエストによって増減する。
		rotatelogs2(3)*	Web サービス用のログ分割ユーティリティ
cjstartsv(1)	JP1/AJS3 Web Application Server サービス	—	—

注

コマンド実行時は、コマンド名と同じ名称のプロセスが起動します。

注※

JP1/AJS3 - Web Console がクライアントホストと SSL で通信する場合、プロセス数は 4 です。

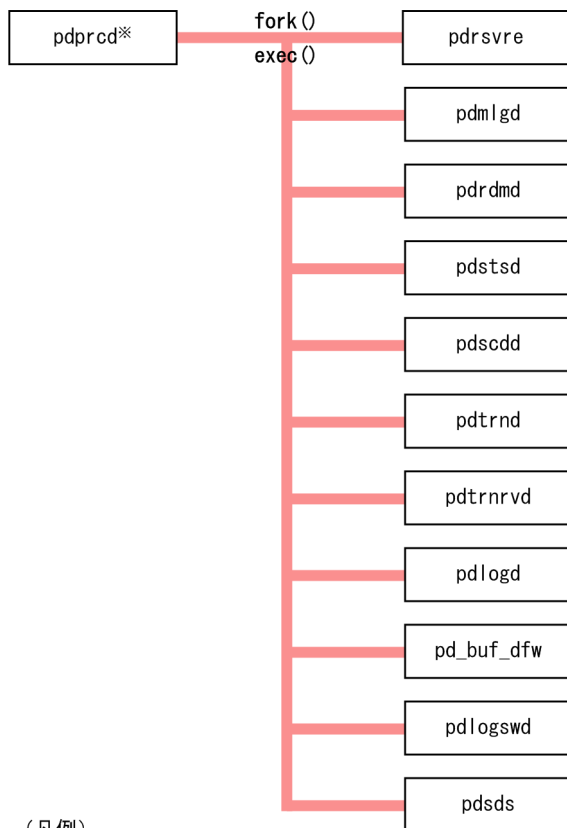
付録 B.4 組み込み DB のプロセス一覧

この節では、JP1/AJS3 - Manager のスケジューラーデータベースとして組み込み DB を使用した場合に、生成される組み込み DB のプロセスについて記載します。

(1) プロセス構成図

JP1/AJS3 - Manager のスケジューラーデータベースとして組み込み DB を使用した場合に、生成される組み込み DB のプロセス構成 (UNIX) を次の図に示します。組み込み DB 全体のプロセスの親子関係がわかるため、プロセスを監視する場合に役立ちます。

図 B-8 組み込み DB のプロセス構成 (UNIX)



(凡例)

プロセス名 : 組み込みDBで生成されるプロセス

注※
pdmgrdプロセスによって起動されます。

(2) プロセス一覧 (Windows の場合)

組み込み DB のプロセス一覧を記載します。

Windows 版組み込み DB は、次に示す 2 種類のプロセスで構成されます。

- 親プロセス
親プロセスは、幾つかの子プロセスで構成されます。
- 子プロセス

親プロセスおよび子プロセスの状態は、[タスクマネージャ] ウィンドウの [プロセス] タブで確認できます。

親プロセスおよび子プロセスの一覧を次の表に示します。

なお、表中の親プロセス名および子プロセス名の後ろに記載されている値は、同時に起動できるプロセス数です。

表 B-17 Windows 版組み込み DB の親プロセスおよび子プロセス一覧

親プロセス (プロセス数)	機能	子プロセス数 (プロセス数)	機能
pdservice.exe(1)	JP1/AJS3 Database サービスプロセス	pdprcd.exe(1)	Windows のサービス制御
pdprcd.exe(1)	プロセスサーバプロセス 組み込み DB 関連プロセスを 管理する。	pdrsvre.exe(3) ^{※1}	あと処理プロセス 組み込み DB プロセス異常 終了後のあと始末処理。
		pdmlgd.exe(1)	メッセージログサーバプロ セス メッセージ出力を制御する。
		pdrdmd.exe(1)	システムマネージャプロ セス ユニット起動・停止の制御 および接続ユーザーを管理 する。
		pdstsd.exe(1)	ステータスサーバプロセス ユニット用ステータスファ イルの I/O を制御する。
		pdscdd.exe(1)	スケジューラプロセス シングルサーバプロセスへ のトランザクションの割り 付けを行う。
		pdtrnd.exe(1)	トランザクションサーバプ ロセス トランザクションを制御す る。
		pdtrnrvd.exe(1~128) ^{※2, ※3}	トランザクション回復プロ セス トランザクションの決着・ 回復を制御する。
		pdlogd.exe(1)	ログサーバプロセス システムログ取得およびロ グ関連プロセスを制御する。
		pd_buf_dfw.exe(1)	デファードライトプロセス DB 格納ディスクへのバッ クグラウンドライトを制御 する。
		pdlogswd.exe(1)	ログスワッププロセス システムログ関連ファイル の割り当て, 解放, I/O の

親プロセス (プロセス数)	機能	子プロセス数 (プロセス数)	機能
pdprcd.exe(1)	プロセスサーバプロセス 組み込み DB 関連プロセスを 管理する。	pdlogswd.exe(1)	管理, およびシンクポイント ダンプを取得する。
		pdsds.exe(16~128) ^{※3, ※4}	シングルサーバプロセス SQL を処理する。
pdsha.exe(1) ^{※5}	JP1/AJS3 Database ClusterService サービスプ ロセス	—	クラスタ用の組み込み DB のサービス

注※1

組み込み DB のバージョンが 07-03 以前の場合, 起動されるプロセス数は 2 個です。

注※2

開始時は 1 個です。pdsds.exe プロセスが異常終了するたびに一時的に増加します。

注※3

システム共通定義ファイル (pdsys) に設定されている pd_max_users オペランドの値を変更した場合, 変更後の値が起動されるプロセス数の上限になります。

注※4

開始時は 16 個です。組み込み DB へのアクセス要求数に応じて, 最大 128 個起動します。

注※5

組み込み DB がバージョン 10-00 より前の方式の場合に起動します。

(3) プロセス一覧 (UNIX の場合)

組み込み DB のプロセス一覧を記載します。

UNIX 版組み込み DB は, 次に示す 2 種類のプロセスで構成されます。

- 親プロセス
親プロセスは, 幾つかの子プロセスで構成されます。
- 子プロセス

親プロセスおよび子プロセスの状態は, ps コマンドで確認できます。

親プロセスおよび子プロセスの一覧を次の表に示します。

なお, 表中の親プロセス名および子プロセス名の後ろに記載されている値は, 同時に起動できるプロセス数です。

表 B-18 UNIX 版組み込み DB の親プロセスおよび子プロセス一覧

親プロセス (プロセス数)	機能	子プロセス数 (プロセス数)	機能
pdmgrd(1)	プロセスサーバ管理プロセス	pdprcd(1)	プロセスサーバプロセスの起動・停止を管理する。
pdprcd(1)	プロセスサーバプロセス 組み込み DB 関連プロセスを 管理する。	pdrsvre(3) ^{※1}	あと処理プロセス 組み込み DB プロセス異常 終了後のあと始末処理。
		pdmlgd(1)	メッセージログサーバプロ セス メッセージ出力を制御する。
		pdrdmd(1)	システムマネージャプロ セス ユニット起動・停止の制御 および接続ユーザーを管理 する。
		pdstsd(1)	ステータスサーバプロセス ユニット用ステータスファ イルの I/O を制御する。
		pdscdd(1)	スケジューラプロセス シングルサーバプロセスへ のトランザクションの割り 付けを行う。
		pdtrnd(1)	トランザクションサーバプ ロセス トランザクションを制御す る。
		pdtrnrvd(1~128) ^{※2, ※3}	トランザクション回復プロ セス トランザクションの決着・ 回復を制御する。
		pdlogd(1)	ログサーバプロセス システムログ取得およびロ グ関連プロセスを制御する。
		pd_buf_dfw(1)	デファードライトプロセス DB 格納ディスクへのバッ クグラウンドライトを制御 する。
		pdlogswd(1)	ログスワッププロセス システムログ関連ファイル の割り当て, 解放, I/O の

親プロセス (プロセス数)	機能	子プロセス数 (プロセス数)	機能
pdprcd(1)	プロセスサーバプロセス 組み込み DB 関連プロセスを 管理する。	pdlogswd(1)	管理, およびシンクポイント ダンプを取得する。
		pdsds(16~128) ^{※3, ※4}	シングルサーバプロセス SQL を処理する。

注※1

組み込み DB のバージョンが 07-03 以前の場合, 起動されるプロセス数は 2 個です。

注※2

開始時は 1 個です。pdsds プロセスが異常終了するたびに一時的に増加します。

注※3

システム共通定義ファイル (pdsys) に設定されている pd_max_users オペランドの値を変更した場合, 変更後の値が起動されるプロセス数の上限になります。

注※4

開始時は 16 個です。組み込み DB へのアクセス要求数に応じて, 最大 128 個起動します。

付録 C ログ情報

JP1/AJS3 で出力するログ情報と出力形式について説明します。

付録 C.1 スケジューラーサービスが出力するログ

JP1/AJS3 のスケジューラーログファイル中に出力されるログの一覧を次の表に示します。

表 C-1 スケジューラーログ一覧

ログ種別	ログ名称	対応するメッセージの ID	対応する JP1 イベント	コマンド名	JP1/AJS3 - View からの操作	JP1/AJS3 - Web Console からの操作または実行される API	JP1/AJS3 - Software Development Kit からの操作または実行される API
A001	スケジューラーサービス開始	KAVS0200-I	00004100	ajsstart jajs_spmd	—	—	—
A002	スケジューラーサービス終了	KAVS0201-I	00004101	ajsstop jajs_spmd_stop	—	—	—
A003	スケジューラーサービスプロセス異常終了	KAVS0204-E	00004130	—	—	—	—
A007	JP1/AJS3 - View の接続	KAVS0534-I	なし	—	スケジューラーサービスへの接続	—	—
A008	JP1/AJS3 - View の接続終了	KAVS0535-I	なし	—	スケジューラーサービスへの接続終了	—	—
A011	スケジューラーログ出力プロセス開始	KAVS0220-I	なし	jajs_spmd	—	—	—
A012	スケジューラーログ出力プロセス終了	KAVS0221-I	なし	jajs_spmd_stop	—	—	—
A013	認証の拒否	KAVS1009-W	なし	—	スケジューラーサービスへの接続	ログイン	login
A014	JP1/AJS3 - Software	KAVS0564-I	なし	—	—	—	• 各 API からの要

ログ種別	ログ名称	対応するメッセージのID	対応するJP1 イベント	コマンド名	JP1/AJS3 - View からの操作	JP1/AJS3 - Web Console からの操作または実行される API	JP1/AJS3 - Software Development Kit からの操作または実行される API
A014	Development Kit の接続	KAVS0564-I	なし	—	—	—	求の初回スケジューラー接続時 • 自動再接続時
A015	JP1/AJS3 - Software Development Kit の接続終了	KAVS0565-I	なし	—	—	—	• logout • エラー発生時 • 自動切断時 • ajsdine td プロセス停止時
A016	マネージャー用接続元制限による接続拒否	KAVS8040-E	なし	—	—	—	—
A017	JP1/AJS3 - Web Console の接続	KAVS0570-I	なし	—	—	スケジューラーサービスへの接続	—
A018	JP1/AJS3 - Web Console の接続終了	KAVS0571-I	なし	—	—	スケジューラーサービスへの接続終了	—
N001	ジョブネット開始	KAVS0260-I	00004102	—	—	—	—
N002	ジョブネット正常終了	KAVS0261-I	00004103	—	—	—	—
N003	ジョブネット異常終了	KAVS0262-E	00004104	—	—	—	—
N004	ジョブネット警告終了	KAVS0268-W	00004108	—	—	—	—
N005	ジョブネット保留	KAVS0270-I	00004120	—	—	—	—
N006	ジョブネット閉塞	KAVS0272-E	00004131	—	—	—	—

ログ種別	ログ名称	対応するメッセージのID	対応するJP1 イベント	コマンド名	JP1/AJS3 - View からの操作	JP1/AJS3 - Web Console からの操作または実行される API	JP1/AJS3 - Software Development Kit からの操作または実行される API
N007	ジョブネット閉塞	KAVS0273-E	00004131	—	—	—	—
N008	ジョブネット開始遅延	KAVS0275-I	00004122	—	—	—	—
N009	ジョブネット終了遅延	KAVS0276-I	00004123	—	—	—	—
N010	次回予定キューイング	KAVS0277-I	00004124	—	—	—	—
N011	ジョブネット起動条件監視開始	KAVS0240-I	00004140	—	—	—	—
N012	ジョブネット起動条件監視終了	KAVS0241-I	00004141	—	—	—	—
N013	ジョブネット繰り返し未実行	KAVS0279-E	00004142	—	—	—	—
N014	ジョブネット全登録解除	KAVS0267-I	なし	<code>ajsstart -c jajs_spmd -cold</code>	—	—	—
N015	起動条件監視終了待ち	KAVS1420-I	00004145	—	—	—	—
N016	ジョブネットの待ち合わせ条件による待ち合わせの開始	KAVS4950-I	00004146	—	—	—	—
N017	ジョブネットの待ち合わせ条件の成立	KAVS4955-I	00004147	—	—	—	—
N018	ジョブネットの待ち合わせ条件による待ち合わせの滞留	KAVS4957-E	00004148	—	—	—	—
J001	ジョブ開始	KAVS0263-I	00004105	—	—	—	—
J002	ジョブ正常終了	KAVS0264-I	00004106	—	—	—	—
J003	ジョブ異常終了	KAVS0265-E	00004107	—	—	—	—

ログ種別	ログ名称	対応するメッセージのID	対応するJP1 イベント	コマンド名	JP1/AJS3 - View からの操作	JP1/AJS3 - Web Console からの操作または実行される API	JP1/AJS3 - Software Development Kit からの操作または実行される API
J004	ジョブ警告終了	KAVS0269-W	00004109	—	—	—	—
J005	ジョブ保留	KAVS0271-I	00004121	—	—	—	—
J006	ジョブサブミット開始	KAVS0278-I	00004125	—	—	—	—
J007	イベントジョブ実行要求開始	KAVS0242-I	00004126	—	—	—	—
J008	ジョブ終了遅延	KAVS0248-I	00004127	—	—	—	—
J009	ジョブのキューイング取り消し	KAVS0266-I	0000410A	—	—	—	—
J010	ジョブの待ち合わせ条件による待ち合わせの開始	KAVS4951-I	0000414A	—	—	—	—
J011	ジョブの待ち合わせ条件の成立	KAVS4956-I	0000414B	—	—	—	—
J012	ジョブの待ち合わせ条件による待ち合わせの滞留	KAVS4971-E	0000414C	—	—	—	—
J013	自動リトライによるリトライ間隔待ちの開始	KAVS4675-I	00004155	—	—	—	—
J014	自動リトライによる実行開始	KAVS4676-I	00004156	—	—	—	—
J015	自動リトライでリトライ実行不可能なエラー発生	KAVS4677-E	00004157	—	—	—	—
J016	自動リトライによるジョブサブミット開始	KAVS4678-I	00004158	—	—	—	—
C001	スケジューラーサービスの運用環境の一時的な変更	なし	なし	ajsalter	—	—	—
C002	スケジューラーサービスの停止	なし	なし	ajsstop	—	—	—

ログ種別	ログ名称	対応するメッセージのID	対応するJP1 イベント	コマンド名	JP1/AJS3 - View からの操作	JP1/AJS3 - Web Console からの操作または実行される API	JP1/AJS3 - Software Development Kit からの操作または実行される API
C003	スケジューラーサービスの起動	なし	なし	ajsstart	—	—	—
C101	ジョブネットの登録	なし	なし	ajsentry	実行登録 「ルートジョブネットを指定したデイリーまたはマンスリーからの"追加"」	実行登録 「ルートジョブネットを指定した"追加"」	<ul style="list-style-type: none"> • registerImmediateExec • registerPlannedExec • registerFixedExec
C102	ジョブネットの登録の取り消し	なし	なし	ajsleave	登録解除	登録解除	cancelRegistration
C103	ジョブネットの一時変更	なし	なし	ajsplan	計画一時変更 保留属性変更 遅延監視変更 優先順位変更 「ネストジョブネットを指定したデイリーまたはマンスリーからの"追加"」	計画一時変更 保留属性変更 遅延監視変更 「ネストジョブネットを指定した"追加"」	<ul style="list-style-type: none"> • changeStartTime • execImmediate • cancelExecSchedule • restoreStartTime • changeHold • changeDelayMonitor
C104	ジョブネットの実行の中断	なし	なし	ajsintrpt	中断	中断	interrupt
C105	ジョブネットの再実行	なし	なし	ajsrerun	再実行	再実行	rerun
C106	ジョブネットのサスペンド/サスペンド解除	なし	なし	ajssuspend	サスペンド	—	—
C107	登録予定情報のインポート	なし	なし	ajsgimport	—	—	—

ログ種別	ログ名称	対応するメッセージのID	対応するJP1 イベント	コマンド名	JP1/AJS3 - View からの操作	JP1/AJS3 - Web Console からの操作または実行される API	JP1/AJS3 - Software Development Kit からの操作または実行される API
C108	登録予定情報のインポートによるジョブネットの登録	なし	なし	ajsrgimport	—	—	—
C201	ジョブネット・ジョブの強制終了	なし	なし	ajskill	強制終了	強制終了	kill
C202	ジョブの状態変更	なし	なし	ajschgstat	ジョブ状態変更	ジョブ状態変更	changeStatus
C301	ユニットの定義内容変更	なし	なし	ajschange ajschgjob ajschnet	定義変更	定義変更	—
C302	ユニットの削除	なし	なし	ajsdelete	削除	—	—
C303	ユニットの回復	なし	なし	ajsrestore	回復	—	—
C304	ユニットの作成	なし	なし	ajsdefine	新規作成	—	—
C305	ユニットの複写, 移動	なし	なし	ajscopy	貼り付け	—	—
C306	ユニットのインポート	なし	なし	ajsimport	—	—	—
C307	ジョブネットのリリース	なし	なし	ajsrelease - a または ajsrelease - c	リリース登録 リリース中止	—	—
C401	カレンダーの変更	なし	なし	ajscalendar	カレンダー変更	—	—
C502	ユニットの状態表示	なし	なし	ajsshow	—	—	—
C503	ユニットの定義内容出力	なし	なし	ajsprint	—	—	—
C504	ユニットの定義内容退避	なし	なし	ajsbackup	退避	—	—
C506	ルートジョブネットの予定情報出力	なし	なし	ajsschedule	—	—	—

ログ種別	ログ名称	対応するメッセージのID	対応するJP1 イベント	コマンド名	JP1/AJS3 - View からの操作	JP1/AJS3 - Web Console からの操作または実行される API	JP1/AJS3 - Software Development Kit からの操作または実行される API
C507	ユニットの名称出力	なし	なし	ajsname	—	—	—
C508	ユニットの定義内容のエクスポート	なし	なし	ajsexport	パッケージ	—	—
C509	ユニットの状態表示 (異常終了)	なし	なし	ajsshow	-	—	—
C510	ユニットの定義内容出力 (異常終了)	なし	なし	ajsprint	-	—	—
C511	ユニットの定義内容の退避 (異常終了)	なし	なし	ajsbackup	退避	—	—
C512	ユニット名称の出力 (異常終了)	なし	なし	ajsname	-	—	—
C513	登録予定情報のエクスポート	なし	なし	ajsrgexport	-	—	—
C514	登録予定情報のエクスポートによるジョブネットの情報出力	なし	なし	ajsrgexport	-	—	—
C515	ジョブネットリリース情報の参照	なし	なし	ajsrelease - i	-	—	—
C516	カレンダー計算	なし	なし	ajscalutil	-	—	—
I001	コマンド該当処理開始	なし	なし	ajsalter ajscalutil ajsimport ajsname ajsprint ajsschedule ajsshow ajsstart ajsstop	—	—	—
				ajsbackup	退避	—	—
				ajscalendar	カレンダー変更	—	—

ログ種別	ログ名称	対応するメッセージのID	対応するJP1 イベント	コマンド名	JP1/AJS3 - View からの操作	JP1/AJS3 - Web Console からの操作または実行される API	JP1/AJS3 - Software Development Kit からの操作または実行される API
I001	コマンド該当処理開始	なし	なし	ajschange ajschgjob ajschgnet	定義変更	定義変更	—
				ajschgstat	ジョブ状態変更	ジョブ状態変更	changeStatus
				ajsscopy	貼り付け	—	—
				ajsdefine	新規作成	—	—
				ajsdelete	削除	—	—
				ajsentry	実行登録 「ルートジョブネットを指定したデイリーまたはマンサリからの"追加"」	実行登録 「ルートジョブネットを指定した"追加"」	<ul style="list-style-type: none"> registerImmediateExec registerPlannedExec registerFixedExec
				ajsexport	パッケージ	—	—
				ajsintrpt	中断	中断	interrupt
				ajskill	強制終了	強制終了	kill
				ajsleave	登録解除	登録解除	cancelRegistration
ajsplan	計画一時変更 保留属性変更 遅延監視変更 優先順位変更 「ネストジョブネットを指定したデイリーまたはマンサ	計画一時変更 保留属性変更 遅延監視変更 「ネストジョブネットを指定した"追加"」	<ul style="list-style-type: none"> changeStartTime execImmediate cancelExecSchedule restoreStartTime changeHold 				

ログ種別	ログ名称	対応するメッセージのID	対応するJP1 イベント	コマンド名	JP1/AJS3 - View からの操作	JP1/AJS3 - Web Console からの操作または実行される API	JP1/AJS3 - Software Development Kit からの操作または実行される API
I001	コマンド該当処理開始	なし	なし	ajsplan	リーからの"追加"]	計画一時変更 保留属性変更 遅延監視変更 「ネストジョブネットを指定した"追加"]	• changeDelayMonitor
				ajsrelease	リリース登録 リリース中止 リリース情報表示（リストエリアでリリース先のジョブネットを選択）	—	—
				ajsrerun	再実行	再実行	rerun
				ajsrestore	回復	—	—
				ajsrgexport	—	—	—
				ajsrgimport	—	—	—
				ajssuspend	サスペンド	—	—
I002	コマンドからスケジューラーサービスへの処理要求開始	なし	なし	ajschgstat	ジョブ状態変更	ジョブ状態変更	changeStatus
				ajsentry	実行登録 「ルートジョブネットを指定したデイリーまたはマンサリーからの"追加"]	実行登録 「ルートジョブネットを指定した"追加"]	• registerImmedia teExec • registerPlanned Exec • registerFixedExec

ログ種別	ログ名称	対応するメッセージのID	対応するJP1 イベント	コマンド名	JP1/AJS3 - View からの操作	JP1/AJS3 - Web Console からの操作または実行される API	JP1/AJS3 - Software Development Kit からの操作または実行される API
I002	コマンドからスケジューラーサービスへの処理要求開始	なし	なし	ajsintrpt	中断	中断	interrupt
				ajskill	強制終了	強制終了	kill
				ajsleave	登録解除	登録解除	cancelRegistration
				ajsplan	計画一時変更 保留属性変更 遅延監視変更 優先順位変更 「ネストジョブネットを指定したデイリーまたはマンサラーからの"追加"」	計画一時変更 保留属性変更 遅延監視変更 「ネストジョブネットを指定した"追加"」	<ul style="list-style-type: none"> changeStartTime execImmediate cancelExecSchedule restoreStartTime changeHold changeDelayMonitor
				ajsrerun	再実行	再実行	rerun
				ajssuspend	サスペンド	—	—

(凡例)

—：該当なし

各ログ情報の出力形式と出力項目について次に説明します。

なお、出力形式中の「△」は1バイトの空白を示しています。

(1) ログの共通の出力形式

スケジューラーサービスの各ログ情報で、共通の出力形式を次に示します。

なお、ログ情報にプロセス ID を出力しない形式と、出力する形式を選択できます。選択方法を次に示します。

jajs_config コマンドで、環境設定パラメーターLOGHEADER またはHOSTLOGHEADER を設定してください。プロセス ID を出力しない場合は「none」を指定し、プロセス ID を出力する場合は「PID」を指定します。

環境設定パラメーターの詳細については、マニュアル「JP1/Automatic Job Management System 3 構築ガイド 20.4.2(70) LOGHEADER」またはマニュアル「JP1/Automatic Job Management System 3 構築ガイド 20.3.2(13) HOSTLOGHEADER」を参照してください。

表 C-2 プロセス ID 出力の設定の有無と出力形式

出力形式の設定	出力形式
環境設定パラメーターLOGHEADER または HOSTLOGHEADER に「none」が指定されている場合 (プロセス ID の出力なし)	ログ種別△日付△時刻△付加情報△
環境設定パラメーターLOGHEADER または HOSTLOGHEADER に「PID」が指定されている場合 (プロセス ID の出力あり)	ログ種別△日付△時刻△ [プロセス ID] △付加情報△

各項目について次の表に示します。

表 C-3 共通の出力項目 (スケジューラーログ)

項目名	内容	長さ (単位: バイト)
ログ種別	「A001」などのログ種別が出力されます。	4
日付	ログを出力した日付が出力されます。 月と日の間は 1~2 バイトの空白で区切られています。 (例) ・8月1日の場合: Aug△△1, または Aug△01* ・8月10日の場合: Aug△10 なお、環境設定パラメーターAJSLOGOUTPUTYEAR または HOSTLOGOUTPUTYEAR に「yes」を指定している場合は、YYYY/MM/DD の形式で出力されます。 (例) 2009年8月5日の場合: 2009/08/05	6 または 11
時刻	ログを出力した時刻が出力されます。 時、分、および秒の間は 1 バイトの「:」(コロン) で区切られています。値が 2 けたに満たない場合は、前に「0」が付けられて表示されます。 (例) 23時5分0秒の場合: 23:05:00	8
[プロセス ID]	コマンドおよびスケジューラーサービスのプロセス ID を出力します。 環境設定パラメーターLOGHEADER または HOSTLOGHEADER に「PID」が指定されている場合に出力されます。 環境設定パラメーターLOGHEADER または HOSTLOGHEADER に「none」が指定されている場合には出力されません。	0 または 3~12

項目名	内容	長さ (単位: バイト)
[プロセス ID]	かぎ括弧内の数値がプロセス ID です。	0 または 3~12
付加情報	各ログの詳細情報が出力されます。	各ログの詳細情報での制限値に従います。

注※

OS の `ctime()`関数が生成する文字列に依存します。

注意事項

- スケジューラーログの 1 レコードの長さは、2,048 バイト（改行分 2 バイトを含む）であるため、ログの長さが 2,048 バイト以上になる場合は 2,048 バイトまでが出力されます。2,049 バイト以降は出力されません。
- JP1/AJS3 - View から操作した場合、1 回の操作に対応するスケジューラーログが複数のログになる場合があります。例えば、ユニットを作成した場合は、**DEFINE (C304)** と **CHANGE (C301)** のログが出力されます。
- JP1/AJS3 - View で次の操作をすると、**CHANGE (C301)** のログが出力されます。
この場合、ログ内には変更前後の定義差分は出力されないで、空白 (△) が出力されます。
 - JP1/AJS3 - View 以外で定義したジョブを [詳細定義] ダイアログボックスで開き、何も設定を変更しないで [OK] ボタンをクリックする。
 - ジョブネットの [スケジュールの設定] ダイアログボックスを開き、何も設定を変更しないで [OK] ボタンをクリックする。
- JP1/AJS3 - Web Console で次の操作をすると、**CHANGE (C301)** のログが出力されます。
この場合、ログ内には変更前後の定義差分は出力されないで、空白 (△) が出力されます。
 - JP1/AJS3 - Web Console 以外で定義したジョブを [詳細定義] ダイアログボックスで開き、何も設定を変更しないで [OK] ボタンをクリックする。

(2) 「スケジューラーサービス開始」 ログの出力形式

「スケジューラーサービス開始」 ログの出力形式を次に示します。

ログ情報にプロセス ID を出力しない場合

A001△日付△時刻△KAVS0200-I△スケジューラーサービス名

ログ情報にプロセス ID を出力する場合

A001△日付△時刻△ [プロセス ID] △KAVS0200-I△スケジューラーサービス名

出力例

A001 Feb 28 10:40:43 KAVS0200-I AJSR00T1

各項目について次の表に示します。

表 C-4 「スケジューラーサービス開始」 ログの出力項目 (スケジューラーログ)

項目名	内容	長さ (単位: バイト)
スケジューラーサービス名	スケジューラーサービス名が出力されます。	1~30

(3) 「スケジューラーサービス終了」 ログの出力形式

「スケジューラーサービス終了」 ログの出力形式を次に示します。

ログ情報にプロセス ID を出力しない場合

A002△日付△時刻△KAVS0201-I△スケジューラーサービス名

ログ情報にプロセス ID を出力する場合

A002△日付△時刻△ [プロセス ID] △KAVS0201-I△スケジューラーサービス名

出力例

A002 Aug 12 09:14:22 KAVS0201-I AJSR00T1

各項目について次の表に示します。

表 C-5 「スケジューラーサービス終了」 ログの出力項目 (スケジューラーログ)

項目名	内容	長さ (単位: バイト)
スケジューラーサービス名	スケジューラーサービス名が出力されます。	1~30

(4) 「スケジューラーサービスプロセス異常終了」 ログの出力形式

「スケジューラーサービスプロセス異常終了」 ログの出力形式を次に示します。

ログ情報にプロセス ID を出力しない場合

A003△日付△時刻△KAVS0204-E△スケジューラーサービス名△プロセス名△終了コード

ログ情報にプロセス ID を出力する場合

A003△日付△時刻△ [プロセス ID] △KAVS0204-E△スケジューラーサービス名△プロセス名△終了コード

出力例

A003 Aug 12 09:14:22 KAVS0204-E AJSR00T1 ajsschd 4

各項目について次の表に示します。

表 C-6 「スケジューラーサービスプロセス異常終了」 ログの出力項目（スケジューラーログ）

項目名	内容	長さ（単位：バイト）
スケジューラーサービス名	スケジューラーサービス名が出力されます。	1～30
プロセス名	次のどれかが出力されます。 <ul style="list-style-type: none"> ・ ajsflowd ・ ajsschd ・ ajslogd 	1～30
終了コード	終了コードが出力されます。	1～10

(5) 「JP1/AJS3 - View の接続」 ログの出力形式

「JP1/AJS3 - View の接続」 ログの出力形式を次に示します。

ログ情報にプロセス ID を出力しない場合

A007△日付△時刻△KAVS0534-I△ホスト名△;CONNECT△ユーザー名△ [操作ユーザー種別] △
 [要求元ホスト IP アドレス,要求元識別情報] △スケジューラーサービス名

ログ情報にプロセス ID を出力する場合

A007△日付△時刻△ [プロセス ID] △KAVS0534-I△ホスト名△;CONNECT△ユーザー名△ [操作ユーザー種別] △ [要求元ホスト IP アドレス,要求元識別情報] △スケジューラーサービス名

出力条件

環境設定パラメーターMONLOGに「all」が指定されている場合だけ出力されます。

なお、このログは次のタイミングで出力されます。

- JP1/AJS3 - View から JP1/AJS3 - Manager にログインしたとき
- [JP1/AJS3 - View] ウィンドウのツリーエリアで、スケジューラーサービスを選択したとき
- JP1/AJS3 - View から JP1/AJS3 - Manager に自動再接続したとき

出力例

A007 Aug 05 17:14:01 KAVS0534-I hostA ;CONNECT jp1admin [ADMIN] [10.210.38.11,JP1/AJS2-View] AJSR00T1

各項目について次の表に示します。

表 C-7 「JP1/AJS3 - View の接続」 ログの出力項目（スケジューラーログ）

項目名	内容	長さ（単位：バイト）
ホスト名	接続したホストのホスト名が出力されます。	1～255
ユーザー名	操作した JP1 ユーザー名が出力されます。	0～20
操作ユーザー種別	接続したユーザーの種別（ADMIN または USER）が出力されます。 <ul style="list-style-type: none"> • ADMIN 	4, 5

項目名	内容	長さ (単位: バイト)
操作ユーザー種別	Administrators 権限またはスーパーユーザー権限を持つユーザー <ul style="list-style-type: none"> • USER 一般のユーザー 	4, 5
要求元ホスト IP アドレス	操作の要求元ホストの IP アドレスが出力されます。	7~15
要求元識別情報	操作の要求元を識別する情報「JP1/AJS2-View」が出力されます。	13
スケジューラーサービス名	接続したスケジューラーサービス名が出力されます。	1~30

(6) 「JP1/AJS3 - View の接続終了」 ログの出力形式

「JP1/AJS3 - View の接続終了」 ログの出力形式を次に示します。

ログ情報にプロセス ID を出力しない場合

A008△日付△時刻△KAVS0535-I△ホスト名△;DISCONNECT△ユーザー名△ [操作ユーザー種別]
△ [要求元ホスト IP アドレス,要求元識別情報] △スケジューラーサービス名

ログ情報にプロセス ID を出力する場合

A008△日付△時刻△ [プロセス ID] △KAVS0535-I△ホスト名△;DISCONNECT△ユーザー名△ [操作ユーザー種別] △ [要求元ホスト IP アドレス,要求元識別情報] △スケジューラーサービス名

出力条件

環境設定パラメーターMONLOG に「all」が指定されている場合だけ出力されます。

なお、このログは次のタイミングで出力されます。

- JP1/AJS3 - View を終了 (JP1/AJS3 - Manager からログアウト) したとき
- JP1/AJS3 - View からの操作に失敗し、ajsmosvr プロセスが終了したとき
- JP1/AJS3 - View との通信が途絶えてから環境設定パラメーターSESSIONTIMEOUT に指定した時間を経過したとき

出力例

A008 Feb 28 17:14:01 KAVS0535-I hostA ;DISCONNECT jp1admin [ADMIN] [10.210.38.11,JP1/AJS2-View] AJSR00T1

各項目について次の表に示します。

表 C-8 「JP1/AJS3 - View の接続終了」 ログの出力項目 (スケジューラーログ)

項目名	内容	長さ (単位: バイト)
ホスト名	接続を終了したホストのホスト名が出力されます。	1~255
ユーザー名	操作した JP1 ユーザー名が出力されます。	0~20
操作ユーザー種別	接続したユーザーの種別 (ADMIN または USER) が出力されます。	4, 5

項目名	内容	長さ (単位: バイト)
操作ユーザー種別	<ul style="list-style-type: none"> • ADMIN Administrators 権限またはスーパーユーザー権限を持つユーザー • USER 一般のユーザー 	4, 5
要求元ホスト IP アドレス	操作の要求元ホストの IP アドレスが出力されます。	7~15
要求元識別情報	操作の要求元を識別する情報「JP1/AJS2-View」が出力されます。	13
スケジューラーサービス名	接続を終了したスケジューラーサービス名が出力されます。	1~30

(7) 「スケジューラーログ出力プロセス開始」 ログの出力形式

「スケジューラーログ出力プロセス開始」 ログの出力形式を次に示します。

ログ情報にプロセス ID を出力しない場合

A011△日付△時刻△KAVS0220-I

ログ情報にプロセス ID を出力する場合

A011△日付△時刻△ [プロセス ID] △KAVS0220-I

出力条件

環境設定パラメーターLOGDLOG およびHLOGDLOG に「all」が指定されている場合だけ出力されます。

出力例

A011 Feb 28 10:51:18 KAVS0220-I

(8) 「スケジューラーログ出力プロセス終了」 ログの出力形式

「スケジューラーログ出力プロセス終了」 ログの出力形式を次に示します。

ログ情報にプロセス ID を出力しない場合

A012△日付△時刻△KAVS0221-I

ログ情報にプロセス ID を出力する場合

A012△日付△時刻△ [プロセス ID] △KAVS0221-I

出力条件

環境設定パラメーターLOGDLOG およびHLOGDLOG に「all」が指定されている場合だけ出力されます。

出力例

A012 Feb 28 10:51:18 KAVS0221-I

(9) 「認証 (ログイン・ユーザーマッピング) の拒否」 ログの出力形式

「認証 (ログイン・ユーザーマッピング) の拒否」 ログの出力形式を次に示します。

ログ情報にプロセス ID を出力しない場合

A013△日付△時刻△KAVS1009-W△要求元ホスト IP アドレス△ユーザー名△ホスト名

ログ情報にプロセス ID を出力する場合

A013△日付△時刻△ [プロセス ID] △KAVS1009-W△要求元ホスト IP アドレス△ユーザー名△ホスト名

出力条件

環境設定パラメーターAUTHLOGに「all」が指定されている場合だけ出力されます。

なお、このログは次のクライアントからの接続で、JP1/Baseでのユーザー認証またはユーザーマッピングに失敗したときにホスト単位のスケジューラーログに出力されます。

- JP1/AJS3 - View
- JP1/AJS3 - Web Console
- JP1/AJS3 - Definition Assistant
- JP1/AJS3 - Manager (コマンドのリモート実行, リモートジョブネットの実行)
- JP1/AJS3 - Software Development Kit

出力例

A013 Feb 28 17:14:01 KAVS1009-W 10.210.38.11 jp1admin hostA

各項目について次の表に示します。

表 C-9 「認証 (ログイン・ユーザーマッピング) の拒否」 ログの出力項目 (スケジューラーログ)

項目名	内容	長さ (単位: バイト)
要求元ホスト IP アドレス	操作の要求元ホストの IP アドレスが出力されます。	7~15
ユーザー名	操作した JP1 ユーザー名が出力されます。	0~20
ホスト名	要求を受け付けたホストのホスト名が出力されます。	1~255

(10) 「JP1/AJS3 - Software Development Kit の接続」 ログの出力形式

「JP1/AJS3 - Software Development Kit の接続」 ログの出力形式を次に示します。

ログ情報にプロセス ID を出力しない場合

A014△日付△時刻△KAVS0564-I△ホスト名△;CONNECT△ユーザー名△ [操作ユーザー種別] △ [要求元ホスト IP アドレス,要求元識別情報] △スケジューラーサービス名

ログ情報にプロセス ID を出力する場合

A014△日付△時刻△ [プロセス ID] △KAVS0564-I△ホスト名△;CONNECT△ユーザー名△ [操作ユーザー種別] △ [要求元ホスト IP アドレス,要求元識別情報] △スケジューラーサービス名

出力条件

環境設定パラメーターMONLOGに「all」が指定されている場合だけ出力されます。

なお、このログは次のタイミングで出力されます。

- JP1/AJS3 - Software Development Kit からスケジューラーサービスに初めて API の実行を要求したとき
- JP1/AJS3 - Software Development Kit から JP1/AJS3 - Manager に自動再接続したとき

出力例

A014 Aug 05 17:14:01 KAVS0564-I hostA ;CONNECT jp1admin [ADMIN][10.210.38.11,JP1/AJS3-SDK] AJSR00T1

各項目について次の表に示します。

表 C-10 「JP1/AJS3 - Software Development Kit の接続」 ログの出力項目（スケジューラーログ）

項目名	内容	長さ（単位：バイト）
ホスト名	接続したホストのホスト名が出力されます。	1～255
ユーザー名	操作した JP1 ユーザー名が出力されます。	0～20
操作ユーザー種別	接続したユーザーの種別（ADMIN または USER）が出力されます。 <ul style="list-style-type: none">• ADMIN Administrators 権限またはスーパーユーザー権限を持つユーザー• USER 一般のユーザー	4, 5
要求元ホスト IP アドレス	操作の要求元ホストの IP アドレスが出力されます。	3～39
要求元識別情報	操作の要求元を識別する情報「JP1/AJS3-SDK」が出力されます。	11
スケジューラーサービス名	接続したスケジューラーサービス名が出力されます。	1～30

(11) 「JP1/AJS3 - Software Development Kit の接続終了」 ログの出力形式

「JP1/AJS3 - Software Development Kit の接続終了」 ログの出力形式を次に示します。

ログ情報にプロセス ID を出力しない場合

A015△日付△時刻△KAVS0565-I△ホスト名△;DISCONNECT△ユーザー名△ [操作ユーザー種別] △ [要求元ホスト IP アドレス,要求元識別情報] △スケジューラーサービス名

ログ情報にプロセス ID を出力する場合

A015△日付△時刻△ [プロセス ID] △KAVS0565-I△ホスト名△;DISCONNECT△ユーザー名△ [操作ユーザー種別] △ [要求元ホスト IP アドレス,要求元識別情報] △スケジューラーサービス名

出力条件

環境設定パラメーターMONLOGに「all」が指定されている場合だけ出力されます。

なお、このログは次のタイミングで出力されます。

- JP1/AJS3 - Software Development Kit を終了 (JP1/AJS3 - Manager からログアウト) したとき
- JP1/AJS3 - Software Development Kit からの操作に失敗し、ajsmnsvr プロセスが終了したとき
- JP1/AJS3 - Software Development Kit との通信が途絶えてから、環境設定パラメーター CDESSIONTIMEOUT に指定した時間を経過したとき
- JP1/AJS3 - Software Development Kit との接続中に、ajscdinetd プロセスが停止したとき

出力例

A015 Feb 28 17:14:01 KAVS0565-I hostA ;DISCONNECT jp1admin [ADMIN] [10.210.38.11,JP1/AJS3-SDK] AJSROOT1

各項目について次の表に示します。

表 C-11 「JP1/AJS3 - Software Development Kit の接続終了」 ログの出力項目 (スケジューラーログ)

項目名	内容	長さ (単位: バイト)
ホスト名	接続を終了したホストのホスト名が出力されます。	1~255
ユーザー名	操作した JP1 ユーザー名が出力されます。	0~20
操作ユーザー種別	接続したユーザーの種別 (ADMIN または USER) が出力されます。 <ul style="list-style-type: none">• ADMIN Administrators 権限またはスーパーユーザー権限を持つユーザー• USER 一般のユーザー	4, 5
要求元ホスト IP アドレス	操作の要求元ホストの IP アドレスが出力されます。	3~39
要求元識別情報	操作の要求元を識別する情報「JP1/AJS3-SDK」が出力されます。	11
スケジューラーサービス名	接続を終了したスケジューラーサービス名が出力されます。	1~30

(12) 「マネージャー用接続元制限による接続拒否」 ログの出力形式

「マネージャー用接続元制限による接続拒否」 ログの出力形式を次に示します。

ログ情報にプロセス ID を出力しない場合

A016△日付△時刻△KAVS8040-E△要求元ホスト IP アドレス△ユーザー名△ホスト名

ログ情報にプロセス ID を出力する場合

A016△日付△時刻△ [プロセス ID] △KAVS8040-E△要求元ホスト IP アドレス△ユーザー名△ホスト名

出力条件

環境設定パラメーターCONRESTRICTLOG に「all」が指定されている場合だけ出力されます。

なお、このログはマネージャー用接続元制限で接続が拒否されたときに、ホスト単位のスケジューラーログに出力されます。

出力例

A016 Feb 28 17:14:01 KAVS8040-E 10.210.38.11 jp1admin hostA

各項目について次の表に示します。

表 C-12 「マネージャー用接続元制限による接続拒否」 ログの出力項目 (スケジューラーログ)

項目名	内容	長さ (単位: バイト)
要求元ホスト IP アドレス	操作の要求元ホストの IP アドレスが出力されます。	3~39
ユーザー名	操作した JP1 ユーザー名が出力されます。	0~20
ホスト名	要求を受け付けたホストのホスト名が出力されます。	1~255

(13) 「JP1/AJS3 - Web Console の接続」 ログの出力形式

「JP1/AJS3 - Web Console の接続」 ログの出力形式を次に示します。

ログ情報にプロセス ID を出力しない場合

A017△日付△時刻△KAVS0570-I△ホスト名△;CONNECT△ユーザー名△ [操作ユーザー種別] △ [要求元ホスト IP アドレス,要求元識別情報] △スケジューラーサービス名

ログ情報にプロセス ID を出力する場合

A017△日付△時刻△ [プロセス ID] △KAVS0570-I△ホスト名△;CONNECT△ユーザー名△ [操作ユーザー種別] △ [要求元ホスト IP アドレス,要求元識別情報] △スケジューラーサービス名

出力条件

環境設定パラメーターMONLOG に「all」が指定されている場合だけ出力されます。

なお、このログは次のタイミングで出力されます。

- JP1/AJS3 - Web Console の Web GUI から JP1/AJS3 - Manager にログインしたとき
- JP1/AJS3 - Web Console の Web GUI のツリーエリアで、スケジューラーサービスを選択したとき
- JP1/AJS3 - Web Console から JP1/AJS3 - Manager に自動再接続したとき

- JP1/AJS3 - Web Console の API を実行したとき

出力例

```
A017 Aug 05 17:14:01 KAVS0570-I hostA ;CONNECT jp1admin [ADMIN] [10.210.38.11,JP1/AJS3-WEB]
AJSR00T1
```

各項目について次の表に示します。

表 C-13 「JP1/AJS3 - Web Console の接続」 ログの出力項目（スケジューラーログ）

項目名	内容	長さ（単位：バイト）
ホスト名	接続したホストのホスト名が出力されます。	1～255
ユーザー名	操作した JP1 ユーザー名が出力されます。	0～20
操作ユーザー種別	接続したユーザーの種別（ADMIN または USER）が出力されます。 <ul style="list-style-type: none"> • ADMIN Administrators 権限またはスーパーユーザー権限を持つユーザー • USER 一般のユーザー 	4, 5
要求元ホスト IP アドレス	操作の要求元ホストの IP アドレスが出力されます。	3～39
要求元識別情報	操作の要求元を識別する情報「JP1/AJS3-WEB」が出力されます。	11
スケジューラーサービス名	接続したスケジューラーサービス名が出力されます。	1～30

(14) 「JP1/AJS3 - Web Console の接続終了」 ログの出力形式

「JP1/AJS3 - Web Console の接続終了」 ログの出力形式を次に示します。

ログ情報にプロセス ID を出力しない場合

```
A018△日付△時刻△KAVS0571-I△ホスト名△;DISCONNECT△ユーザー名△ [操作ユーザー種別]
△ [要求元ホスト IP アドレス,要求元識別情報] △スケジューラーサービス名
```

ログ情報にプロセス ID を出力する場合

```
A018△日付△時刻△ [プロセス ID] △KAVS0571-I△ホスト名△;DISCONNECT△ユーザー名△ [操
作ユーザー種別] △ [要求元ホスト IP アドレス,要求元識別情報] △スケジューラーサービス名
```

出力条件

環境設定パラメーター MONLOG に「all」が指定されている場合だけ出力されます。

なお、このログは次のタイミングで出力されます。

- JP1/AJS3 - Web Console を終了（JP1/AJS3 - Manager からログアウト）したとき
- JP1/AJS3 - Web Console からの操作に失敗し、ajsmnsvr プロセスが終了したとき
- JP1/AJS3 - Web Console との通信が途絶えてから、環境設定パラメーター CDESSIONTIMEOUT に指定した時間を経過したとき

- JP1/AJS3 - Web Console との接続中に、ajscdinetd プロセスが停止したとき

出力例

```
A018 Feb 28 17:14:01 KAVS0571-I hostA ;DISCONNECT jp1admin [ADMIN] [10.210.38.11,JP1/AJS3-
WEB] AJSR00T1
```

各項目について次の表に示します。

表 C-14 「JP1/AJS3 - Web Console の接続終了」 ログの出力項目（スケジューラーログ）

項目名	内容	長さ（単位：バイト）
ホスト名	接続を終了したホストのホスト名が出力されます。	1～255
ユーザー名	操作した JP1 ユーザー名が出力されます。	0～20
操作ユーザー種別	接続したユーザーの種別（ADMIN または USER）が出力されます。 <ul style="list-style-type: none"> • ADMIN Administrators 権限またはスーパーユーザー権限を持つユーザー • USER 一般のユーザー 	4, 5
要求元ホスト IP アドレス	操作の要求元ホストの IP アドレスが出力されます。	3～39
要求元識別情報	操作の要求元を識別する情報「JP1/AJS3-WEB」が出力されます。	11
スケジューラーサービス名	接続を終了したスケジューラーサービス名が出力されます。	1～30

(15) 「ジョブネット開始」 ログの出力形式

「ジョブネット開始」 ログの出力形式を次に示します。

ログ情報にプロセス ID を出力しない場合

```
N001△日付△時刻△KAVS0260-I△スケジューラーサービス名：ジョブネット名：実行 ID※
```

ログ情報にプロセス ID を出力する場合

```
N001△日付△時刻△ [プロセス ID] △KAVS0260-I△スケジューラーサービス名：ジョブネット名：
実行 ID※
```

注※

環境設定パラメーター LOGINFOALL に「yes」を指定している場合に「：実行 ID」が出力されます。

出力例

```
N001 Feb 28 17:14:01 KAVS0260-I AJSR00T1:/group/net1:@A100
```

各項目について次の表に示します。

表 C-15 「ジョブネット開始」 ログの出力項目（スケジューラーログ）

項目名	内容	長さ（単位：バイト）
スケジューラーサービス名	スケジューラーサービス名が出力されます。	1～30
ジョブネット名	開始したジョブネット・ジョブネットコネクタ名が出力されます。	1～930
実行 ID	開始したジョブネット・ジョブネットコネクタの実行 ID が「@英数字」の形式で出力されます。	1～10

(16) 「ジョブネット正常終了」 ログの出力形式

「ジョブネット正常終了」 ログの出力形式を次に示します。

ログ情報にプロセス ID を出力しない場合

N002△日付△時刻△KAVS0261-I△スケジューラーサービス名：ジョブネット名：実行 ID*

ログ情報にプロセス ID を出力する場合

N002△日付△時刻△ [プロセス ID] △KAVS0261-I△スケジューラーサービス名：ジョブネット名：実行 ID*

注※

環境設定パラメーターLOGINFOALL に「yes」を指定している場合に「：実行 ID」が出力されます。

出力例

N002 Feb 28 17:14:44 KAVS0261-I AJSR00T1:/group/net1:@A100

各項目について次の表に示します。

表 C-16 「ジョブネット正常終了」 ログの出力項目（スケジューラーログ）

項目名	内容	長さ（単位：バイト）
スケジューラーサービス名	スケジューラーサービス名が出力されます。	1～30
ジョブネット名	終了したジョブネット・ジョブネットコネクタ名が出力されます。	1～930
実行 ID	終了したジョブネット・ジョブネットコネクタの実行 ID が「@英数字」の形式で出力されます。	1～10

(17) 「ジョブネット異常終了」 ログの出力形式

「ジョブネット異常終了」 ログの出力形式を次に示します。

ログ情報にプロセス ID を出力しない場合

N003△日付△時刻△KAVS0262-E△スケジューラーサービス名：ジョブネット名：実行 ID*

ログ情報にプロセス ID を出力する場合

N003△日付△時刻△ [プロセス ID] △KAVS0262-E△スケジューラーサービス名：ジョブネット名：
実行 ID*

注※

環境設定パラメーターLOGINFOALL に「yes」を指定している場合に「：実行 ID」が出力されます。

出力例

N003 Mar 03 14:05:46 KAVS0262-E AJSR00T1:/net1/nestnet1:@A111

各項目について次の表に示します。

表 C-17 「ジョブネット異常終了」ログの出力項目（スケジューラーログ）

項目名	内容	長さ（単位：バイト）
スケジューラーサービス名	スケジューラーサービス名が出力されます。	1～30
ジョブネット名	異常終了したジョブネット・ジョブネットコネクタ名が出力されます。	1～930
実行 ID	異常終了したジョブネット・ジョブネットコネクタの実行 ID が「@英数字」の形式で出力されます。	1～10

(18) 「ジョブネット警告終了」ログの出力形式

「ジョブネット警告終了」ログの出力形式を次に示します。

ログ情報にプロセス ID を出力しない場合

N004△日付△時刻△KAVS0268-W△スケジューラーサービス名：ジョブネット名：実行 ID*

ログ情報にプロセス ID を出力する場合

N004△日付△時刻△ [プロセス ID] △KAVS0268-W△スケジューラーサービス名：ジョブネット名：実行 ID*

注※

環境設定パラメーターLOGINFOALL に「yes」を指定している場合に「：実行 ID」が出力されます。

出力例

N004 Mar 03 14:05:46 KAVS0268-W AJSR00T1:/net1/nestnet1:@A111

各項目について次の表に示します。

表 C-18 「ジョブネット警告終了」ログの出力項目（スケジューラーログ）

項目名	内容	長さ（単位：バイト）
スケジューラーサービス名	スケジューラーサービス名が出力されます。	1～30

項目名	内容	長さ (単位: バイト)
ジョブネット名	警告終了したジョブネット・ジョブネットコネクタ名が出力されます。	1~930
実行 ID	警告終了したジョブネット・ジョブネットコネクタの実行 ID が「@英数字」の形式で出力されます。	1~10

(19) 「ジョブネット保留」 ログの出力形式

「ジョブネット保留」 ログの出力形式を次に示します。

ログ情報にプロセス ID を出力しない場合

N005△日付△時刻△KAVS0270-I△スケジューラーサービス名: ジョブネット名: 実行 ID*

ログ情報にプロセス ID を出力する場合

N005△日付△時刻△ [プロセス ID] △KAVS0270-I△スケジューラーサービス名: ジョブネット名: 実行 ID*

注※

環境設定パラメーターLOGINFOALL に「yes」を指定している場合に「: 実行 ID」が出力されます。

出力例

N005 Mar 03 14:05:46 KAVS0270-I AJSR00T1:/net1/nestnet1:@A111

各項目について次の表に示します。

表 C-19 「ジョブネット保留」 ログの出力項目 (スケジューラーログ)

項目名	内容	長さ (単位: バイト)
スケジューラーサービス名	スケジューラーサービス名が出力されます。	1~30
ジョブネット名	保留したジョブネット名が出力されます。	1~930
実行 ID	保留したジョブネットの実行 ID が「@英数字」の形式で出力されます。	1~10

(20) 「ジョブネット閉塞」 ログ (N006) の出力形式

「ジョブネット閉塞」 ログ (N006) の出力形式を次に示します。

ログ情報にプロセス ID を出力しない場合

N006△日付△時刻△KAVS0272-E△スケジューラーサービス名: ジョブネット名: 実行 ID*△保守情報

ログ情報にプロセス ID を出力する場合

N006△日付△時刻△ [プロセス ID] △KAVS0272-E△スケジューラーサービス名: ジョブネット名: 実行 ID*△保守情報

注※

環境設定パラメーターLOGINFOALLに「yes」を指定している場合に「:実行ID」が出力されます。

出力例

N006 Mar 17 09:31:39 KAVS0272-E AJSR00T1:/net1:@A100 082b4be5

各項目について次の表に示します。

表 C-20 「ジョブネット閉塞」ログ (N006) の出力項目 (スケジューラーログ)

項目名	内容	長さ (単位: バイト)
スケジューラーサービス名	スケジューラーサービス名が出力されます。	1~30
ジョブネット名	閉塞したジョブネット名が出力されます。	1~930
実行ID	閉塞したジョブネットの実行IDが「@英数字」の形式で出力されます。	1~10
保守情報	保守情報が出力されます。	8

(21) 「ジョブネット閉塞」ログ (N007) の出力形式

「ジョブネット閉塞」ログ (N007) の出力形式を次に示します。

ログ情報にプロセスIDを出力しない場合

N007△日付△時刻△KAVS0273-E△スケジューラーサービス名: ジョブネット名: 実行ID※△保守情報

ログ情報にプロセスIDを出力する場合

N007△日付△時刻△ [プロセスID] △KAVS0273-E△スケジューラーサービス名: ジョブネット名: 実行ID※△保守情報

注※

環境設定パラメーターLOGINFOALLに「yes」を指定している場合に「:実行ID」が出力されます。

出力例

N007 Mar 17 09:31:39 KAVS0273-E AJSR00T1:/net1:@A100 082b4be5

各項目について次の表に示します。

表 C-21 「ジョブネット閉塞」ログ (N007) の出力項目 (スケジューラーログ)

項目名	内容	長さ (単位: バイト)
スケジューラーサービス名	スケジューラーサービス名が出力されます。	1~30
ジョブネット名	閉塞したジョブネット名が出力されます。	1~930

項目名	内容	長さ (単位: バイト)
実行 ID	閉塞したジョブネットの実行 ID が「@英数字」の形式で出力されます。	1~10
保守情報	保守情報が出力されます。	8

(22) 「ジョブネット開始遅延」 ログの出力形式

「ジョブネット開始遅延」 ログの出力形式を次に示します。

ログ情報にプロセス ID を出力しない場合

N008△日付△時刻△KAVS0275-I△スケジューラーサービス名: ジョブネット名: 実行 ID*

ログ情報にプロセス ID を出力する場合

N008△日付△時刻△ [プロセス ID] △KAVS0275-I△スケジューラーサービス名: ジョブネット名: 実行 ID*

注※

環境設定パラメーターLOGINFOALL に「yes」を指定している場合に「: 実行 ID」が出力されます。

出力例

N008 Mar 01 16:36:37 KAVS0275-I AJSR00T1:/group/net1:@A106

各項目について次の表に示します。

表 C-22 「ジョブネット開始遅延」 ログの出力項目 (スケジューラーログ)

項目名	内容	長さ (単位: バイト)
スケジューラーサービス名	スケジューラーサービス名が出力されます。	1~30
ジョブネット名	開始が遅延したジョブネット名が出力されます。	1~930
実行 ID	開始が遅延したジョブネットの実行 ID が「@英数字」の形式で出力されます。	1~10

(23) 「ジョブネット終了遅延」 ログの出力形式

「ジョブネット終了遅延」 ログの出力形式を次に示します。

ログ情報にプロセス ID を出力しない場合

N009△日付△時刻△KAVS0276-I△スケジューラーサービス名: ジョブネット名: 実行 ID*

ログ情報にプロセス ID を出力する場合

N009△日付△時刻△ [プロセス ID] △KAVS0276-I△スケジューラーサービス名: ジョブネット名: 実行 ID*

注※

環境設定パラメーターLOGINFOALLに「yes」を指定している場合に「:実行ID」が出力されます。

出力例

N009 Mar 01 16:36:37 KAVS0276-I AJSR00T1:/group/net1:@A106

各項目について次の表に示します。

表 C-23 「ジョブネット終了遅延」ログの出力項目（スケジューラーログ）

項目名	内容	長さ（単位：バイト）
スケジューラーサービス名	スケジューラーサービス名が出力されます。	1～30
ジョブネット名	終了が遅延したジョブネット名が出力されます。	1～930
実行ID	終了が遅延したジョブネットの実行IDが「@英数字」の形式で出力されます。	1～10

(24) 「次回予定キューイング」ログの出力形式

「次回予定キューイング」ログの出力形式を次に示します。

ログ情報にプロセスIDを出力しない場合

N010△日付△時刻△KAVS0277-I△スケジューラーサービス名：ジョブネット名：実行ID※

ログ情報にプロセスIDを出力する場合

N010△日付△時刻△ [プロセスID] △KAVS0277-I△スケジューラーサービス名：ジョブネット名：実行ID※

注※

環境設定パラメーターLOGINFOALLに「yes」を指定している場合に「:実行ID」が出力されます。

出力例

N010 Mar 01 16:39:37 KAVS0277-I AJSR00T1:/group/net1:@A108

各項目について次の表に示します。

表 C-24 「次回予定キューイング」ログの出力項目（スケジューラーログ）

項目名	内容	長さ（単位：バイト）
スケジューラーサービス名	スケジューラーサービス名が出力されます。	1～30
ジョブネット名	ジョブネット名が出力されます。	1～930
実行ID	実行IDが「@英数字」の形式で出力されます。	1～10

(25) 「ジョブネット起動条件監視開始」 ログの出力形式

「ジョブネット起動条件監視開始」 ログの出力形式を次に示します。

ログ情報にプロセス ID を出力しない場合

N011△日付△時刻△KAVS0240-I△スケジューラーサービス名：ジョブネット名：実行 ID*

ログ情報にプロセス ID を出力する場合

N011△日付△時刻△ [プロセス ID] △KAVS0240-I△スケジューラーサービス名：ジョブネット名：実行 ID*

注※

環境設定パラメーターLOGINFOALL に「yes」を指定している場合に「：実行 ID」が出力されます。

出力例

N011 Feb 28 10:43:09 KAVS0240-I AJSR00T1:/group/net1:@A101

各項目について次の表に示します。

表 C-25 「ジョブネット起動条件監視開始」 ログの出力項目 (スケジューラーログ)

項目名	内容	長さ (単位：バイト)
スケジューラーサービス名	スケジューラーサービス名が出力されます。	1～30
ジョブネット名	起動条件の監視を開始したジョブネット名が出力されます。	1～930
実行 ID	起動条件の監視を開始したジョブネットの実行 ID が「@英数字」の形式で出力されます。	1～10

(26) 「ジョブネット起動条件監視終了」 ログの出力形式

「ジョブネット起動条件監視終了」 ログの出力形式を次に示します。

ログ情報にプロセス ID を出力しない場合

N012△日付△時刻△KAVS0241-I△スケジューラーサービス名：ジョブネット名：実行 ID*△終了状態

ログ情報にプロセス ID を出力する場合

N012△日付△時刻△ [プロセス ID] △KAVS0241-I△スケジューラーサービス名：ジョブネット名：実行 ID*△終了状態

注※

環境設定パラメーターLOGINFOALL に「yes」を指定している場合に「：実行 ID」が出力されます。

出力例

N012 Mar 01 16:36:38 KAVS0241-I AJSR00T1:/group/net1:@A101 u

各項目について次の表に示します。

表 C-26 「ジョブネット起動条件監視終了」ログの出力項目（スケジューラーログ）

項目名	内容	長さ（単位：バイト）
スケジューラーサービス名	スケジューラーサービス名が出力されます。	1～30
ジョブネット名	起動条件の監視を終了したジョブネット名が出力されます。	1～930
実行 ID	起動条件の監視を終了したジョブネットの実行 ID が「@英数字」の形式で出力されます。	1～10
終了状態	次のどれかが出力されます。 u：監視未起動終了 c：監視打ち切り終了 i：監視中断 n：監視正常終了	1

(27) 「ジョブネット繰り越し未実行」ログの出力形式

「ジョブネット繰り越し未実行」ログの出力形式を次に示します。

ログ情報にプロセス ID を出力しない場合

N013△日付△時刻△KAVS0279-E△スケジューラーサービス名：ジョブネット名：実行 ID※

ログ情報にプロセス ID を出力する場合

N013△日付△時刻△ [プロセス ID] △KAVS0279-E△スケジューラーサービス名：ジョブネット名：実行 ID※

注※

環境設定パラメーターLOGINFOALL に「yes」を指定している場合に「：実行 ID」が出力されます。

出力例

N013 Mar 01 16:36:38 KAVS0279-E AJSR00T1:/group/net1:@A101

各項目について次の表に示します。

表 C-27 「ジョブネット繰り越し未実行」ログの出力項目（スケジューラーログ）

項目名	内容	長さ（単位：バイト）
スケジューラーサービス名	スケジューラーサービス名が出力されます。	1～30
ジョブネット名	繰り越し未実行になったジョブネットのルートジョブネット名が出力されます。	1～930
実行 ID	繰り越し未実行になったジョブネットの実行 ID が「@英数字」の形式で出力されます。	1～10

(28) 「ジョブネット全登録解除」 ログの出力形式

「ジョブネット全登録解除」 ログの出力形式を次に示します。

ログ情報にプロセス ID を出力しない場合

N014△日付△時刻△KAVS0267-I△スケジューラーサービス名

ログ情報にプロセス ID を出力する場合

N014△日付△時刻△ [プロセス ID] △KAVS0267-I△スケジューラーサービス名

出力例

N014 Mar 01 16:36:38 KAVS0267-I AJSR00T1

各項目について次の表に示します。

表 C-28 「ジョブネット全登録解除」 ログの出力項目（スケジューラーログ）

項目名	内容	長さ（単位：バイト）
スケジューラーサービス名	スケジューラーサービス名が出力されます。	1～30

(29) 「起動条件監視終了待ち」 ログの出力形式

「起動条件監視終了待ち」 ログの出力形式を次に示します。

ログ情報にプロセス ID を出力しない場合

N015△日付△時刻△KAVS1420-I△スケジューラーサービス名：ジョブネット名：新規世代の実行 ID△前回世代の実行 ID

ログ情報にプロセス ID を出力する場合

N015△日付△時刻△ [プロセス ID] △KAVS1420-I△スケジューラーサービス名：ジョブネット名：新規世代の実行 ID△前回世代の実行 ID

出力例

N015 Aug 26 14:48:54 KAVS1420-I AJSR00T1:/group/net1:@A109 @A108

各項目について次の表に示します。

表 C-29 「起動条件監視終了待ち」 ログの出力項目（スケジューラーログ）

項目名	内容	長さ（単位：バイト）
スケジューラーサービス名	スケジューラーサービス名が出力されます。	1～30
ジョブネット名	ジョブネット名が出力されます。	1～930
新規世代の実行 ID	実行 ID が「@英数字」の形式で出力されます。	1～10
前回世代の実行 ID	実行 ID が「@英数字」の形式で出力されます。	1～10

(30) 「ジョブネットの待ち合わせ条件による待ち合わせの開始」 ログの出力形式

「ジョブネットの待ち合わせ条件による待ち合わせの開始」 ログの出力形式を次に示します。

ログ情報にプロセス ID を出力しない場合

N016△日付△時刻△KAVS4950-I△スケジューラーサービス名：ジョブネット名：実行 ID*

ログ情報にプロセス ID を出力する場合

N016△日付△時刻△ [プロセス ID] △KAVS4950-I△スケジューラーサービス名：ジョブネット名：実行 ID*

注※

環境設定パラメーターLOGINFOALL に「yes」を指定している場合に「：実行 ID」が出力されます。

出力例

N016 Feb 28 17:48:54 KAVS4950-I AJSR00T1:/group/net1:@A100

各項目について次の表に示します。

表 C-30 「ジョブネットの待ち合わせ条件による待ち合わせの開始」 ログの出力項目（スケジューラーログ）

項目名	内容	長さ (単位：バイト)
スケジューラーサービス名	スケジューラーサービス名が出力されます。	1～30
ジョブネット名	待ち合わせを開始した待ち合わせ条件付きジョブネット名またはジョブネットコネクタ名が出力されます。	1～930
実行 ID	待ち合わせを開始した待ち合わせ条件付きジョブネットまたはジョブネットコネクタの実行 ID が、「@英数字」の形式で出力されます。	1～10

(31) 「ジョブネットの待ち合わせ条件の成立」 ログの出力形式

「ジョブネットの待ち合わせ条件の成立」 ログの出力形式を次に示します。

ログ情報にプロセス ID を出力しない場合

N017△日付△時刻△KAVS4955-I△スケジューラーサービス名：ジョブネット名：実行 ID*△待ち合わせ条件の成立要因

ログ情報にプロセス ID を出力する場合

N017△日付△時刻△ [プロセス ID] △KAVS4955-I△スケジューラーサービス名：ジョブネット名：実行 ID*△待ち合わせ条件の成立要因

注※

環境設定パラメーターLOGINFOALL に「yes」を指定している場合に「：実行 ID」が出力されます。

出力例

N017 Feb 26 18:48:54 KAVS4955-I AJSR00T1:/group/net1:@A101 2

各項目について次の表に示します。

表 C-31 「ジョブネットの待ち合わせ条件の成立」 ログの出力項目（スケジューラーログ）

項目名	内容	長さ（単位：バイト）
スケジューラーサービス名	スケジューラーサービス名が出力されます。	1～30
ジョブネット名	待ち合わせ条件が成立した待ち合わせ条件付きジョブネット名またはジョブネットコネクタ名が出力されます。	1～930
実行 ID	待ち合わせ条件が成立した待ち合わせ条件付きジョブネットまたはジョブネットコネクタの実行 ID が、「@英数字」の形式で出力されます。	1～10
待ち合わせ条件の成立要因	待ち合わせ条件が成立した要因の値が出力されます。	1～4

(32) 「ジョブネットの待ち合わせ条件による待ち合わせの滞留」 ログの出力形式

「ジョブネットの待ち合わせ条件による待ち合わせの滞留」 ログの出力形式を次に示します。

ログ情報にプロセス ID を出力しない場合

N018△日付△時刻△KAVS4957-E△待ち合わせ対象ユニット名：実行 ID△スケジューラーサービス名：ジョブネット名：実行 ID*△待ち合わせ滞留要因

ログ情報にプロセス ID を出力する場合

N018△日付△時刻△ [プロセス ID] △KAVS4957-E△待ち合わせ対象ユニット名：実行 ID△スケジューラーサービス名：ジョブネット名：実行 ID*△待ち合わせ滞留要因

注※

環境設定パラメーターLOGINFOALL に「yes」を指定している場合に、「スケジューラーサービス名：ジョブネット名」の「：実行 ID」が出力されます。

出力例

N018 Feb 26 18:48:54 KAVS4957-E /a:@A200 AJSR00T1:/group/net1:@A101 1

各項目について次の表に示します。

表 C-32 「ジョブネットの待ち合わせ条件による待ち合わせの滞留」 ログの出力項目（スケジューラーログ）

項目名	内容	長さ（単位：バイト）
待ち合わせ対象ユニット名	待ち合わせ条件に指定した待ち合わせ対象ユニット名が出力されます。 待ち合わせ方法を「OR」にしている場合、「***」が出力されます。	1～930
待ち合わせ対象ユニットの実行 ID	待ち合わせ対象ユニットの実行 ID が、「@英数字」の形式で出力されます。 待ち合わせ対象ユニットの実行 ID が求まらない場合、「***」が出力されます。	1～10
スケジューラーサービス名	スケジューラーサービス名が出力されます。	1～30
ジョブネット名	待ち合わせ条件が成立した待ち合わせ条件付きジョブネット名またはジョブネットコネクタ名が出力されます。	1～930
実行 ID	待ち合わせ条件が成立した待ち合わせ条件付きジョブネットまたはジョブネットコネクタの実行 ID が、「@英数字」の形式で出力されます。	1～10
待ち合わせ滞留要因	待ち合わせ条件による待ち合わせが滞留した要因の値が出力されます。	1～4

(33) 「ジョブ開始」 ログの出力形式

「ジョブ開始」 ログの出力形式を次に示します。

ログ情報にプロセス ID を出力しない場合

J001△日付△時刻△KAVS0263-I△スケジューラーサービス名：ジョブ名：実行 ID^{*}△実行ホスト名^{*}△ジョブ番号^{*}

ログ情報にプロセス ID を出力する場合

J001△日付△時刻△ [プロセス ID] △KAVS0263-I△スケジューラーサービス名：ジョブ名：実行 ID^{*}△実行ホスト名^{*}△ジョブ番号^{*}

注^{*}

環境設定パラメーター LOGINFOALL に「yes」を指定している場合に「：実行 ID△実行ホスト名△ジョブ番号」が出力されます。

出力例

J001 Feb 28 17:14:07 KAVS0263-I AJSR00T1:/group/net1/job1:@A100 hostA 1

各項目について次の表に示します。

表 C-33 「ジョブ開始」 ログの出力項目（スケジューラーログ）

項目名	内容	長さ（単位：バイト）
スケジューラーサービス名	スケジューラーサービス名が出力されます。	1～30
ジョブ名	開始したジョブ名が出力されます。	1～930
実行 ID	開始したジョブの実行 ID が「@英数字」の形式で出力されます。	1～10
実行ホスト名	開始したジョブの実行ホスト名が出力されます。	1～255
ジョブ番号	開始したジョブのジョブ番号が 10 進数で出力されます。 JP1/NQSEXEC と連携している場合、JP1/NQSEXEC で設定したマシン ID が「0」以外のときのジョブ番号は「mmmm0nnnnn」（m：マシン ID, n：ジョブ番号）の形式で出力されます。	1～10

(34) 「ジョブ正常終了」 ログの出力形式

「ジョブ正常終了」 ログの出力形式を次に示します。

ログ情報にプロセス ID を出力しない場合

J002△日付△時刻△KAVS0264-I△スケジューラーサービス名：ジョブ名：実行 ID*△実行ホスト名*△戻り値*△ジョブ番号*

ログ情報にプロセス ID を出力する場合

J002△日付△時刻△ [プロセス ID] △KAVS0264-I△スケジューラーサービス名：ジョブ名：実行 ID*△実行ホスト名*△戻り値*△ジョブ番号*

注※

環境設定パラメーターLOGINFOALL に「yes」を指定している場合に「：実行 ID△実行ホスト名△戻り値△ジョブ番号」が出力されます。

出力例

J002 Feb 28 17:14:44 KAVS0264-I AJSR00T1:/group/net1/job1:@A100 hostA 0 1

各項目について次の表に示します。

表 C-34 「ジョブ正常終了」 ログの出力項目（スケジューラーログ）

項目名	内容	長さ（単位：バイト）
スケジューラーサービス名	スケジューラーサービス名が出力されます。	1～30
ジョブ名	終了したジョブ名が出力されます。	1～930
実行 ID	終了したジョブの実行 ID が「@英数字」の形式で出力されます。	1～10
実行ホスト名	終了したジョブの実行ホスト名が出力されます。	1～255

項目名	内容	長さ (単位: バイト)
戻り値	終了したジョブの戻り値が 10 進数で出力されます。	1~10
ジョブ番号	終了したジョブのジョブ番号が 10 進数で出力されます。 JP1/NQSEXEC と連携している場合、JP1/NQSEXEC で設定したマシン ID が「0」以外のときのジョブ番号は「mmmm0nnnnn」(m: マシン ID, n: ジョブ番号) の形式で出力されます。	1~10

(35) 「ジョブ異常終了」 ログの出力形式

「ジョブ異常終了」 ログの出力形式を次に示します。

ログ情報にプロセス ID を出力しない場合

J003△日付△時刻△KAVS0265-E△スケジューラーサービス名: ジョブ名: 実行 ID*△終了状態△戻り値△実行ホスト名*△ジョブ番号*

ログ情報にプロセス ID を出力する場合

J003△日付△時刻△ [プロセス ID] △KAVS0265-E△スケジューラーサービス名: ジョブ名: 実行 ID*△終了状態△戻り値△実行ホスト名*△ジョブ番号*

注※

環境設定パラメーターLOGINFOALL に「yes」を指定している場合に「: 実行 ID」および「△実行ホスト名△ジョブ番号」が出力されます。

出力例

J003 Mar 03 14:05:45 KAVS0265-E AJSR00T1:/net1/nestnet1/job1:@A111 a 99 hostA 5

各項目について次の表に示します。

表 C-35 「ジョブ異常終了」 ログの出力項目 (スケジューラーログ)

項目名	内容	長さ (単位: バイト)
スケジューラーサービス名	スケジューラーサービス名が出力されます。	1~30
ジョブ名	異常終了したジョブ名が出力されます。	1~930
実行 ID	異常終了したジョブの実行 ID が「@英数字」の形式で出力されません。	1~10
終了状態	次のどれかが出力されます。 ・ a: 異常検出終了 ・ f: 起動失敗 ・ c: 強制終了 ・ ?: 終了状態不明	1
戻り値	異常終了したジョブの戻り値が 10 進数で出力されます。	1~10

項目名	内容	長さ (単位: バイト)
実行ホスト名	異常終了したジョブの実行ホスト名が出力されます。	1~255
ジョブ番号	異常終了したジョブのジョブ番号が 10 進数で出力されます。 JP1/NQSEXEC と連携している場合、JP1/NQSEXEC で設定したマシン ID が「0」以外のときのジョブ番号は「mmmm0nnnnn」(m: マシン ID, n: ジョブ番号) の形式で出力されます。 ジョブのサブミットが失敗して起動できなかった場合、ジョブ番号は空欄になります。	1~10

(36) 「ジョブ警告終了」 ログの出力形式

「ジョブ警告終了」 ログの出力形式を次に示します。

ログ情報にプロセス ID を出力しない場合

J004△日付△時刻△KAVS0269-W△スケジューラーサービス名: ジョブ名: 実行 ID*△戻り値△実行ホスト名*△ジョブ番号*

ログ情報にプロセス ID を出力する場合

J004△日付△時刻△ [プロセス ID] △KAVS0269-W△スケジューラーサービス名: ジョブ名: 実行 ID*△戻り値△実行ホスト名*△ジョブ番号*

注※

環境設定パラメーターLOGINFOALL に「yes」を指定している場合に「: 実行 ID」および「△実行ホスト名△ジョブ番号」が出力されます。

出力例

J004 Mar 03 14:05:45 KAVS0269-W AJSR00T1:/net1/nestnet1/job1:@A111 99 hostA 5

各項目について次の表に示します。

表 C-36 「ジョブ警告終了」 ログの出力項目 (スケジューラーログ)

項目名	内容	長さ (単位: バイト)
スケジューラーサービス名	スケジューラーサービス名が出力されます。	1~30
ジョブ名	警告終了したジョブ名が出力されます。	1~930
実行 ID	警告終了したジョブの実行 ID が「@英数字」の形式で出力されません。	1~10
戻り値	警告終了したジョブの戻り値が 10 進数で出力されます。	1~10
実行ホスト名	警告終了したジョブの実行先ホスト名が出力されます。	1~255
ジョブ番号	警告終了したジョブのジョブ番号が 10 進数で出力されます。	1~10

項目名	内容	長さ (単位: バイト)
ジョブ番号	JP1/NQSEXEC と連携している場合、JP1/NQSEXEC で設定したマシン ID が「0」以外のときのジョブ番号は「mmmm0nnnnn」(m: マシン ID, n: ジョブ番号) の形式で出力されます。	1~10

(37) 「ジョブ保留」 ログの出力形式

「ジョブ保留」 ログの出力形式を次に示します。

ログ情報にプロセス ID を出力しない場合

J005△日付△時刻△KAVS0271-I△スケジューラーサービス名: ジョブ名: 実行 ID※

ログ情報にプロセス ID を出力する場合

J005△日付△時刻△ [プロセス ID] △KAVS0271-I△スケジューラーサービス名: ジョブ名: 実行 ID
※

注※

環境設定パラメーターLOGINFOALL に「yes」を指定している場合に「: 実行 ID」が出力されます。

出力例

J005 Mar 03 14:05:45 KAVS0271-I AJSR00T1:/net1/nestnet1/job1:@A111

各項目について次の表に示します。

表 C-37 「ジョブ保留」 ログの出力項目 (スケジューラーログ)

項目名	内容	長さ (単位: バイト)
スケジューラーサービス名	スケジューラーサービス名が出力されます。	1~30
ジョブ名	保留したジョブ名が出力されます。	1~930
実行 ID	保留したジョブの実行 ID が「@英数字」の形式で出力されます。	1~10

(38) 「ジョブサブミット開始」 ログの出力形式

「ジョブサブミット開始」 ログの出力形式を次に示します。

ログ情報にプロセス ID を出力しない場合

J006△日付△時刻△KAVS0278-I△スケジューラーサービス名: ジョブ名: 実行 ID※

ログ情報にプロセス ID を出力する場合

J006△日付△時刻△ [プロセス ID] △KAVS0278-I△スケジューラーサービス名: ジョブ名: 実行 ID
※

注※

環境設定パラメーターLOGINFOALLに「yes」を指定している場合に「:実行ID」が出力されます。

出力例

J006 Feb 28 17:14:01 KAVS0278-I AJSR00T1:/group/net1/job1:@A100

各項目について次の表に示します。

表 C-38 「ジョブサブミット開始」ログの出力項目（スケジューラーログ）

項目名	内容	長さ（単位：バイト）
スケジューラーサービス名	スケジューラーサービス名が出力されます。	1～30
ジョブ名	サブミットしたジョブ名が出力されます。	1～930
実行ID	サブミットしたジョブの実行IDが「@英数字」の形式で出力されます。	1～10

(39) 「イベントジョブ実行要求開始」ログの出力形式

「イベントジョブ実行要求開始」ログの出力形式を次に示します。

ログ情報にプロセスIDを出力しない場合

J007△日付△時刻△KAVS0242-I△スケジューラーサービス名：イベントジョブ名：実行ID※

ログ情報にプロセスIDを出力する場合

J007△日付△時刻△ [プロセスID] △KAVS0242-I△スケジューラーサービス名：イベントジョブ名：実行ID※

注※

環境設定パラメーターLOGINFOALLに「yes」を指定している場合に「:実行ID」が出力されます。

出力例

J007 Feb 28 17:14:01 KAVS0242-I AJSR00T1:/group/net1/evjob1:@A100

各項目について次の表に示します。

表 C-39 「イベントジョブ実行要求開始」ログの出力項目（スケジューラーログ）

項目名	内容	長さ（単位：バイト）
スケジューラーサービス名	スケジューラーサービス名が出力されます。	1～30
イベントジョブ名	イベントジョブ名が出力されます。	1～930
実行ID	イベントジョブの実行IDが「@英数字」の形式で出力されます。	1～10

(40) 「ジョブ終了遅延」 ログの出力形式

「ジョブ終了遅延」 ログの出力形式を次に示します。

ログ情報にプロセス ID を出力しない場合

J008△日付△時刻△KAVS0248-I△スケジューラーサービス名：ジョブ名：実行 ID*

ログ情報にプロセス ID を出力する場合

J008△日付△時刻△ [プロセス ID] △KAVS0248-I△スケジューラーサービス名：ジョブ名：実行 ID
※

注※

環境設定パラメーターLOGINFOALL に「yes」を指定している場合に「：実行 ID」が出力されます。

出力例

J008 Mar 01 16:36:37 KAVS0248-I AJSR00T1:/group/net1/job1:@A106

各項目について次の表に示します。

表 C-40 「ジョブ終了遅延」 ログの出力項目（スケジューラーログ）

項目名	内容	長さ（単位：バイト）
スケジューラーサービス名	スケジューラーサービス名が出力されます。	1～30
ジョブ名	終了が遅延したジョブ名が出力されます。	1～930
実行 ID	終了が遅延したジョブの実行 ID が「@英数字」の形式で出力されます。	1～10

(41) 「ジョブのキューイング取り消し」 ログの出力形式

「ジョブのキューイング取り消し」 ログの出力形式を次に示します。

ログ情報にプロセス ID を出力しない場合

J009△日付△時刻△KAVS0266-I△スケジューラーサービス名：ジョブ名：実行 ID*△ジョブ番号*

ログ情報にプロセス ID を出力する場合

J009△日付△時刻△ [プロセス ID] △KAVS0266-I△スケジューラーサービス名：ジョブ名：実行 ID*△ジョブ番号*

注※

環境設定パラメーターLOGINFOALL に「yes」を指定している場合に「：実行 ID△ジョブ番号」が出力されます。

出力例

J009 Aug 01 16:36:37 KAVS0266-I AJSR00T1:/group/net1/job1:@A100 1

各項目について次の表に示します。

表 C-41 「ジョブのキューイング取り消し」 ログの出力項目（スケジューラーログ）

項目名	内容	長さ（単位：バイト）
スケジューラーサービス名	スケジューラーサービス名が出力されます。	1～30
ジョブ名	終了したジョブ名が出力されます。	1～930
実行 ID	終了したジョブの実行 ID が「@英数字」の形式で出力されます。	1～10
ジョブ番号	終了したジョブのジョブ番号が 10 進数で出力されます。	1～10

(42) 「ジョブの待ち合わせ条件による待ち合わせの開始」 ログの出力形式

「ジョブの待ち合わせ条件による待ち合わせの開始」 ログの出力形式を次に示します。

ログ情報にプロセス ID を出力しない場合

J010△日付△時刻△KAVS4951-I△スケジューラーサービス名：ジョブ名：実行 ID※

ログ情報にプロセス ID を出力する場合

J010△日付△時刻△ [プロセス ID] △KAVS4951-I△スケジューラーサービス名：ジョブ名：実行 ID
※

注※

環境設定パラメーターLOGINFOALL に「yes」を指定している場合に「：実行 ID」が出力されます。

出力例

J010 Mar 28 14:48:54 KAVS4951-I AJSR00T1:/group/net1/job1:@A111

各項目について次の表に示します。

表 C-42 「ジョブの待ち合わせ条件による待ち合わせの開始」 ログの出力項目（スケジューラーログ）

項目名	内容	長さ（単位：バイト）
スケジューラーサービス名	スケジューラーサービス名が出力されます。	1～30
ジョブ名	待ち合わせを開始した待ち合わせ条件付きジョブ名が出力されます。	1～930
実行 ID	待ち合わせを開始した待ち合わせ条件付きジョブの実行 ID が、「@英数字」の形式で出力されます。	1～10

(43) 「ジョブの待ち合わせ条件の成立」 ログの出力形式

「ジョブの待ち合わせ条件の成立」 ログの出力形式を次に示します。

ログ情報にプロセス ID を出力しない場合

J011△日付△時刻△KAVS4956-I△スケジューラーサービス名：ジョブ名：実行 ID※△待ち合わせ条件の成立要因

ログ情報にプロセス ID を出力する場合

J011△日付△時刻△ [プロセス ID] △KAVS4956-I△スケジューラーサービス名：ジョブ名：実行 ID※△待ち合わせ条件の成立要因

注※

環境設定パラメーターLOGINFOALL に「yes」を指定している場合に「：実行 ID」が出力されます。

出力例

J011 Mar 26 18:48:54 KAVS4956-I AJSR00T1:/group/net1/job1:@A111 2

各項目について次の表に示します。

表 C-43 「ジョブの待ち合わせ条件の成立」 ログの出力項目（スケジューラーログ）

項目名	内容	長さ（単位：バイト）
スケジューラーサービス名	スケジューラーサービス名が出力されます。	1～30
ジョブ名	待ち合わせ条件が成立した待ち合わせ条件付きジョブ名が出力されます。	1～930
実行 ID	待ち合わせ条件が成立した待ち合わせ条件付きジョブの実行 ID が、「@英数字」の形式で出力されます。	1～10
待ち合わせ条件の成立要因	待ち合わせ条件が成立した要因の値が出力されます。	1～4

(44) 「ジョブの待ち合わせ条件による待ち合わせの滞留」 ログの出力形式

「ジョブの待ち合わせ条件による待ち合わせの滞留」 ログの出力形式を次に示します。

ログ情報にプロセス ID を出力しない場合

J012△日付△時刻△KAVS4971-E△待ち合わせ対象ユニット名：実行 ID△スケジューラーサービス名：ジョブ名：実行 ID※△待ち合わせ滞留要因

ログ情報にプロセス ID を出力する場合

J012△日付△時刻△ [プロセス ID] △KAVS4971-E△待ち合わせ対象ユニット名：実行 ID△スケジューラーサービス名：ジョブ名：実行 ID※△待ち合わせ滞留要因

注※

環境設定パラメーターLOGINFOALL に「yes」を指定している場合に、「スケジューラーサービス名：ジョブ名」の「：実行 ID」が出力されます。

出力例

J012 Mar 26 18:48:54 KAVS4971-E /a:@A200 AJSR00T1:/group/net1/job1:@A111 2

各項目について次の表に示します。

表 C-44 「ジョブの待ち合わせ条件による待ち合わせの滞留」 ログの出力項目（スケジューラーログ）

項目名	内容	長さ（単位：バイト）
待ち合わせ対象ユニット名	待ち合わせ条件に指定した待ち合わせ対象ユニット名が出力されます。 待ち合わせ方法を「OR」にしている場合、「***」が出力されます。	1～930
待ち合わせ対象ユニットの実行 ID	待ち合わせ対象ユニットの実行 ID が、「@英数字」の形式で出力されます。 待ち合わせ対象ユニットの実行 ID が求まらない場合、「***」が出力されます。	1～10
スケジューラーサービス名	スケジューラーサービス名が出力されます。	1～30
ジョブ名	待ち合わせ条件が成立した待ち合わせ条件付きジョブ名が出力されます。	1～930
実行 ID	待ち合わせ条件が成立した待ち合わせ条件付きジョブの実行 ID が、「@英数字」の形式で出力されます。	1～10
待ち合わせ滞留要因	待ち合わせ条件による待ち合わせが滞留した要因の値が出力されます。	1～4

(45) 「自動リトライによるリトライ間隔待ちの開始」 ログの出力形式

「自動リトライによるリトライ間隔待ちの開始」 ログの出力形式を次に示します。

ログ情報にプロセス ID を出力しない場合

J013△日付△時刻△KAVS4675-I△スケジューラーサービス名：ジョブ名：実行 ID*△戻り値△実行
ホスト名*△ジョブ番号*△リトライ実行回数

ログ情報にプロセス ID を出力する場合

J013△日付△時刻△ [プロセス ID] △KAVS4675-I△スケジューラーサービス名：ジョブ名：実行
ID*△戻り値△実行ホスト名*△ジョブ番号*△リトライ実行回数

注※

環境設定パラメーターLOGINFOALL に「yes」を指定している場合に、「：実行 ID」および「△実行ホ
スト名△ジョブ番号」が出力されます。

出力例

J013 Mar 03 14:05:45 KAVS4675-I AJSR00T1:/net1/nestnet1/job1:@A111 99 hostA 5 3

各項目について次の表に示します。

表 C-45 「自動リトライによるリトライ間隔待ちの開始」 ログの出力項目 (スケジューラーログ)

項目名	内容	長さ (単位: バイト)
スケジューラーサービス名	スケジューラーサービス名が出力されます。	1~30
ジョブ名	リトライ間隔待ちを開始するジョブ名が出力されます。	1~930
実行 ID	リトライ間隔待ちを開始するジョブの実行 ID が「@英数字」の形式で出力されます。	1~10
戻り値	リトライ間隔待ちを開始するジョブの戻り値が 10 進数で出力されます。	1~10
実行ホスト名	リトライ間隔待ちを開始するジョブの実行ホスト名が出力されます。	1~255
ジョブ番号	リトライ間隔待ちを開始するジョブのジョブ番号が 10 進数で出力されます。 JP1/NQSEXEC と連携している場合、JP1/NQSEXEC で設定したマシン ID が「0」以外のときのジョブ番号は「mmmm0nnnnn」(m: マシン ID, n: ジョブ番号) の形式で出力されます。 ジョブのサブミットが失敗して起動できなかった場合、ジョブ番号は空欄になります。	1~10
リトライ実行回数	リトライ間隔待ちを開始するジョブのリトライ実行回数が 10 進数で出力されます。	1~2

(46) 「自動リトライによる実行開始」 ログの出力形式

「自動リトライによる実行開始」 ログの出力形式を次に示します。

ログ情報にプロセス ID を出力しない場合

J014△日付△時刻△KAVS4676-I△スケジューラーサービス名: ジョブ名: 実行 ID*△実行ホスト名
△ジョブ番号△リトライ実行回数

ログ情報にプロセス ID を出力する場合

J014△日付△時刻△ [プロセス ID] △KAVS4676-I△スケジューラーサービス名: ジョブ名: 実行 ID*△実行ホスト名*△ジョブ番号*△リトライ実行回数

注※

環境設定パラメーターLOGINFOALL に「yes」を指定している場合に、「: 実行 ID△実行ホスト名△ジョブ番号」が出力されます。

出力例

J014 Feb 28 17:14:07 KAVS4676-I AJSR00T1:/group/net1/job1:@A100 hostA 1 3

各項目について次の表に示します。

表 C-46 「自動リトライによる実行開始」 ログの出力項目（スケジューラーログ）

項目名	内容	長さ（単位：バイト）
スケジューラーサービス名	スケジューラーサービス名が出力されます。	1～30
ジョブ名	自動リトライによって実行開始したジョブ名が出力されます。	1～930
実行 ID	自動リトライによって実行開始したジョブの実行 ID が「@英数字」の形式で出力されます。	1～10
実行ホスト名	自動リトライによって実行開始したジョブの実行ホスト名が出力されます。	1～255
ジョブ番号	自動リトライによって実行開始したジョブのジョブ番号が 10 進数で出力されます。 JP1/NQSEXEC と連携している場合、JP1/NQSEXEC で設定したマシン ID が「0」以外のときのジョブ番号は「mmmm0nnnnn」（m：マシン ID，n：ジョブ番号）の形式で出力されます。	1～10
リトライ実行回数	自動リトライによって実行開始したジョブのリトライ実行回数が 10 進数で出力されます。	1～2

(47) 「自動リトライでリトライ実行不可能なエラー発生」 ログの出力形式

「自動リトライでリトライ実行不可能なエラー発生」 ログの出力形式を次に示します。

ログ情報にプロセス ID を出力しない場合

J015△日付△時刻△KAVS4677-E△スケジューラーサービス名：ジョブ名：実行 ID*△戻り値△実行ホスト名*△ジョブ番号*△リトライ実行回数△要因コード

ログ情報にプロセス ID を出力する場合

J015△日付△時刻△ [プロセス ID] △KAVS4677-E△スケジューラーサービス名：ジョブ名：実行 ID*△戻り値△実行ホスト名*△ジョブ番号*△リトライ実行回数△要因コード

注※

環境設定パラメーター LOGINFOALL に「yes」を指定している場合に、「：実行 ID」および「△実行ホスト名△ジョブ番号」が出力されます。

出力例

J015 Mar 03 14:05:45 KAVS4677-E AJSR00T1:/net1/nestnet1/job1:@A111 99 hostA 5 3 FATALERR

各項目について次の表に示します。

表 C-47 「自動リトライでリトライ実行不可能なエラー発生」 ログの出力項目（スケジューラーログ）

項目名	内容	長さ（単位：バイト）
スケジューラーサービス名	スケジューラーサービス名が出力されます。	1～30
ジョブ名	リトライ実行不可能なエラー発生によって自動リトライを終了したジョブ名が出力されます。	1～930
実行 ID	リトライ実行不可能なエラー発生によって自動リトライを終了したジョブの実行 ID が「@英数字」の形式で出力されます。	1～10
戻り値	リトライ実行不可能なエラー発生によって自動リトライを終了したジョブの戻り値が 10 進数で出力されます。	1～10
実行ホスト名	リトライ実行不可能なエラー発生によって自動リトライを終了したジョブの実行ホスト名が出力されます。	1～255
ジョブ番号	リトライ実行不可能なエラー発生によって自動リトライを終了したジョブのジョブ番号が 10 進数で出力されます。 JP1/NQSEXEC と連携している場合、JP1/NQSEXEC で設定したマシン ID が「0」以外のときのジョブ番号は「mmmm0nnnnn」（m：マシン ID，n：ジョブ番号）の形式で出力されます。 ジョブのサブミットが失敗して起動できなかった場合、ジョブ番号は空欄になります。	1～10
リトライ実行回数	リトライ実行不可能なエラー発生によって自動リトライを終了したジョブのリトライ実行回数が 10 進数で出力されます。	1～2
要因コード	自動リトライを終了した要因が出力されます。 <ul style="list-style-type: none"> • FATALERR ジョブがリトライ実行できない終了状態で終了しました。 • ERRCODE 自動リトライの対象範囲外の終了コードで、実行ファイルまたはスクリプトファイルが終了しました。 • RETRYNUM リトライ実行回数が、最大リトライ回数に達しました。 	7, 8

(48) 「自動リトライによるジョブサブミット開始」 ログの出力形式

「自動リトライによるジョブサブミット開始」 ログの出力形式を次に示します。

ログ情報にプロセス ID を出力しない場合

J016△日付△時刻△KAVS4678-I△スケジューラーサービス名：ジョブ名：実行 ID^{*}△リトライ実行回数

ログ情報にプロセス ID を出力する場合

J016△日付△時刻△ [プロセス ID] △KAVS4678-I△スケジューラーサービス名：ジョブ名：実行 ID※△リトライ実行回数

注※

環境設定パラメーターLOGINFOALL に「yes」を指定している場合に、「：実行 ID」が出力されます。

出力例

J016 Feb 28 17:14:01 KAVS4678-I AJSR00T1:/group/net1/job1:@A100 3

各項目について次の表に示します。

表 C-48 「自動リトライによるジョブサブミット開始」 ログの出力項目 (スケジューラーログ)

項目名	内容	長さ (単位：バイト)
スケジューラーサービス名	スケジューラーサービス名が出力されます。	1～30
ジョブ名	自動リトライによってサブミットしたジョブ名が出力されます。	1～930
実行 ID	自動リトライによってサブミットしたジョブの実行 ID が「@英数字」の形式で出力されます。	1～10
リトライ実行回数	自動リトライによってサブミットしたジョブのリトライ実行回数が 10 進数で出力されます。	1～2

(49) 「スケジューラーサービスの運用環境の一時的な変更」 ログの出力形式

「スケジューラーサービスの運用環境の一時的な変更」 ログの出力形式を次に示します。

ログ情報にプロセス ID を出力しない場合

C001△日付△時刻△ユーザー名△メッセージ ID△ホスト名△;ALTER△オプション△

ログ情報にプロセス ID を出力する場合

C001△日付△時刻△ [プロセス ID] △ユーザー名△メッセージ ID△ホスト名△;ALTER△オプション△

出力条件

環境設定パラメーターOPELOG に「all」または「alter」が指定されている場合だけ出力されます。

出力例

C001 Mar 17 09:51:41 jp1admin 0 JP1_DEFAULT ;ALTER -F AJSR00T1 -c COPY

各項目について次の表に示します。

表 C-49 「スケジューラーサービスの運用環境の一時的な変更」 ログの出力項目（スケジューラーログ）

項目名	内容	長さ（単位：バイト）
ユーザー名	ajsalter コマンドを実行した JP1 ユーザー名が出力されます。コマンドの実行権限がない JP1 ユーザーで実行しようとした場合は、NULL 文字列が出力されます。	0～20
メッセージ ID	操作結果に対応したメッセージ ID が出力されます。操作が正常に実行された場合は、「0」が出力されます。	1, 10
ホスト名	操作の要求元ホスト名が出力されます。	1～255
オプション	ajsalter コマンド実行時に指定したオプションが出力されます。	1 以上

(50) 「スケジューラーサービスの停止」 ログの出力形式

「スケジューラーサービスの停止」 ログの出力形式を次に示します。

ログ情報にプロセス ID を出力しない場合

C002△日付△時刻△ユーザー名△メッセージ ID△ホスト名△;STOP△オプション△

ログ情報にプロセス ID を出力する場合

C002△日付△時刻△ [プロセス ID] △ユーザー名△メッセージ ID△ホスト名△;STOP△オプション△

出力条件

環境設定パラメーター OPELOG に「all」または「stop」が指定されている場合だけ出力されます。

出力例

C002 Mar 17 09:53:08 jp1admin 0 JP1_DEFAULT ;STOP -F AJSROOT1 -w -c

各項目について次の表に示します。

表 C-50 「スケジューラーサービスの停止」 ログの出力項目（スケジューラーログ）

項目名	内容	長さ（単位：バイト）
ユーザー名	ajsstop コマンドを実行した JP1 ユーザー名が出力されます。コマンドの実行権限がない JP1 ユーザーで実行しようとした場合は、NULL 文字列が出力されます。	0～20
メッセージ ID	操作結果に対応したメッセージ ID が出力されます。操作が正常に実行された場合は、「0」が出力されます。	1, 10
ホスト名	操作の要求元ホスト名が出力されます。	1～255
オプション	ajsstop コマンド実行時に指定したオプションが出力されます。	1 以上

(51) 「スケジューラーサービスの起動」 ログの出力形式

「スケジューラーサービスの起動」 ログの出力形式を次に示します。

ログ情報にプロセス ID を出力しない場合

C003△日付△時刻△ユーザー名△メッセージ ID△ホスト名△;START△オプション

ログ情報にプロセス ID を出力する場合

C003△日付△時刻△ [プロセス ID] △ユーザー名△メッセージ ID△ホスト名△;START△オプション

出力条件

環境設定パラメーターOPELOG に「all」または「start」が指定されている場合だけ出力されます。

出力例

```
C003 Nov 07 19:26:59 jp1admin 0 JP1_DEFAULT ;START -F AJSROOT1 -w -o
```

各項目について次の表に示します。

表 C-51 「スケジューラーサービスの起動」 ログの出力項目 (スケジューラーログ)

項目名	内容	長さ (単位: バイト)
ユーザー名	ajsstart コマンドを実行した JP1 ユーザー名が出力されます。コマンドの実行権限がない JP1 ユーザーで実行しようとした場合は、NULL 文字列が出力されます。	0~20
メッセージ ID	操作結果に対応したメッセージ ID が出力されます。操作が正常に実行された場合は、「0」が出力されます。	1, 10
ホスト名	操作の要求元ホスト名が出力されます。	1~255
オプション	ajsstart コマンド実行時に指定したオプションが出力されます。	1~500

(52) 「ジョブネットの登録」 ログの出力形式

「ジョブネットの登録」 ログの出力形式を次に示します。

ログ情報にプロセス ID を出力しない場合

C101△日付△時刻△ユーザー名△メッセージ ID△ホスト名△;ENTRY△ [操作ユーザー種別] *△ [要求元ホスト IP アドレス,要求元識別情報] *△オプション△ユニット名

ログ情報にプロセス ID を出力する場合

C101△日付△時刻△ [プロセス ID] △ユーザー名△メッセージ ID△ホスト名△;ENTRY△ [操作ユーザー種別] *△ [要求元ホスト IP アドレス,要求元識別情報] *△オプション△ユニット名

注※

環境設定パラメーターAJSLOGOUTPUTEXTEND に「yes」を指定している場合に「△ [操作ユーザー種別] △ [要求元ホスト IP アドレス,要求元識別情報]」が出力されます。

出力条件

環境設定パラメーターOPELOGに「all」または「entry」が指定されている場合だけ出力されます。

出力例

```
C101 Feb 28 10:51:18 jp1admin KAVS0681-E JP1_DEFAULT ;ENTRY -F AJSR00T1 -s /group/net1
```

各項目について次の表に示します。

表 C-52 「ジョブネットの登録」 ログの出力項目（スケジューラーログ）

項目名	内容	長さ（単位：バイト）
ユーザー名	ajsentry コマンドを実行した JP1 ユーザー名が出力されます。コマンドの実行権限がない JP1 ユーザーで実行しようとした場合は、NULL 文字列が出力されます。	0~20
メッセージ ID	操作結果に対応したメッセージ ID が出力されます。操作が正常に実行された場合は、「0」が出力されます。	1, 10
ホスト名	操作の要求元ホスト名が出力されます。	1~255
操作ユーザー種別	接続したユーザーの種別（ADMIN または USER）が出力されます。 <ul style="list-style-type: none">• ADMIN Administrators 権限またはスーパーユーザー権限を持つユーザー• USER 一般のユーザー	4, 5
要求元ホスト IP アドレス	操作の要求元ホストの IP アドレスが出力されます。 次に示すプログラムから実行した場合、またはコマンドをリモート実行した場合だけ出力されます。 <ul style="list-style-type: none">• JP1/AJS3 - View• JP1/AJS3 - Web Console• JP1/AJS3 - Definition Assistant• JP1/AJS3 - Software Development Kit	IPv4 : 7~15 IPv6 : 3~39
要求元識別情報	リモート実行元の製品を識別するための情報が出力されます。JP1/AJS3 - View, JP1/AJS3 - Web Console, JP1/AJS3 - Definition Assistant, JP1/AJS3 - Software Development Kit から実行した場合、またはコマンドをリモート実行した場合だけ出力されます。 <ul style="list-style-type: none">• JP1/AJS2-View 実行元が JP1/AJS3 - View の場合• JP1/AJS3-WEB 実行元が JP1/AJS3 - Web Console の場合• JP1/AJS2-DA(IN=エクスポート元ファイル名, OUT=エクスポート実行結果ファイル名) 実行元が JP1/AJS3 - Definition Assistant の場合• REMOTE	1~100

項目名	内容	長さ (単位: バイト)
要求元識別情報	コマンドをリモート実行した場合、またはリモートジョブネットがコマンドを実行した場合 <ul style="list-style-type: none"> JP1/AJS3-SDK 実行元が JP1/AJS3 - Software Development Kit の場合 長さが 100 バイトを超える場合は、100 バイトまでが出力されません。	1~100
オプション*	ajsentry コマンド実行時に指定したオプションが出力されます。 環境設定パラメーター-AJSLOGOUTPUTEXTEND に「yes」を指定している場合、-c オプションの値が出力されます。	1~500
ユニット名	ajsentry コマンド実行時に指定したユニット名が出力されます。	1~930

注※

オプションの値の部分（オプション名と、それに続く半角スペース（△）を除く）が 64 バイトを超える場合、64 バイトまでが出力されます。

また、オプション全体が 500 バイトを超える場合は、500 バイトまでが出力されます。ただし、オプション名の途中で 500 バイトを超える場合、そのオプションは出力されません。

(53) 「ジョブネットの登録の取り消し」 ログの出力形式

「ジョブネットの登録の取り消し」 ログの出力形式を次に示します。

ログ情報にプロセス ID を出力しない場合

C102△日付△時刻△ユーザー名△メッセージ ID△ホスト名△;LEAVE△ [操作ユーザー種別] *△ [要求元ホスト IP アドレス,要求元識別情報] *△オプション△ユニット名

ログ情報にプロセス ID を出力する場合

C102△日付△時刻△ [プロセス ID] △ユーザー名△メッセージ ID△ホスト名△;LEAVE△ [操作ユーザー種別] *△ [要求元ホスト IP アドレス,要求元識別情報] *△オプション△ユニット名

注※

環境設定パラメーター-AJSLOGOUTPUTEXTEND に「yes」を指定している場合に「△ [操作ユーザー種別] △ [要求元ホスト IP アドレス,要求元識別情報]」が出力されます。

出力条件

環境設定パラメーター-OPELOG に「all」または「leave」が指定されている場合だけ出力されます。

出力例

```
C102 Mar 03 14:03:14 jp1admin 0 JP1_DEFAULT ;LEAVE -F AJSR00T1 -B all /net1
```

各項目について次の表に示します。

表 C-53 「ジョブネットの登録の取り消し」 ログの出力項目（スケジューラーログ）

項目名	内容	長さ（単位：バイト）
ユーザー名	ajsleave コマンドを実行した JP1 ユーザー名が出力されます。コマンドの実行権限がない JP1 ユーザーで実行しようとした場合は、NULL 文字列が出力されます。	0～20
メッセージ ID	操作結果に対応したメッセージ ID が出力されます。操作が正常に実行された場合は、「0」が出力されます。	1, 10
ホスト名	操作の要求元ホスト名が出力されます。	1～255
操作ユーザー種別	接続したユーザーの種別（ADMIN または USER）が出力されます。 <ul style="list-style-type: none"> • ADMIN Administrators 権限またはスーパーユーザー権限を持つユーザー • USER 一般のユーザー 	4, 5
要求元ホスト IP アドレス	操作の要求元ホストの IP アドレスが出力されます。次に示すプログラムから実行した場合、またはコマンドをリモート実行した場合だけ出力されます。 <ul style="list-style-type: none"> • JP1/AJS3 - View • JP1/AJS3 - Web Console • JP1/AJS3 - Definition Assistant • JP1/AJS3 - Software Development Kit 	IPv4：7～15 IPv6：3～39
要求元識別情報	リモート実行元の製品を識別するための情報が出力されます。JP1/AJS3 - View, JP1/AJS3 - Web Console, JP1/AJS3 - Definition Assistant, JP1/AJS3 - Software Development Kit から実行した場合、またはコマンドをリモート実行した場合だけ出力されます。 <ul style="list-style-type: none"> • JP1/AJS2-View 実行元が JP1/AJS3 - View の場合 • JP1/AJS3-WEB 実行元が JP1/AJS3 - Web Console の場合 • JP1/AJS2-DA(IN=エクスポート元ファイル名, OUT=エクスポート実行結果ファイル名) 実行元が JP1/AJS3 - Definition Assistant の場合 • REMOTE コマンドをリモート実行した場合、またはリモートジョブネットがコマンドを実行した場合 • JP1/AJS3-SDK 実行元が JP1/AJS3 - Software Development Kit の場合 長さが 100 バイトを超える場合は、100 バイトまでが出力されません。	1～100
オプション※	ajsleave コマンド実行時に指定したオプションが出力されます。	1～500
ユニット名	ajsleave コマンド実行時に指定したユニット名が出力されます。	1～930

注※

オプションの値の部分（オプション名と、それに続く半角スペース（△）を除く）が64バイトを超える場合、64バイトまでが出力されます。

また、オプション全体が500バイトを超える場合は、500バイトまでが出力されます。ただし、オプション名の途中で500バイトを超える場合、そのオプションは出力されません。

(54) 「ジョブネットの一時変更」 ログの出力形式

「ジョブネットの一時変更」 ログの出力形式を次に示します。

ログ情報にプロセス ID を出力しない場合

C103△日付△時刻△ユーザー名△メッセージ ID△ホスト名△;PLAN△ [操作ユーザー種別] ※△ [要求元ホスト IP アドレス,要求元識別情報] ※△オプション△ユニット名

ログ情報にプロセス ID を出力する場合

C103△日付△時刻△ [プロセス ID] △ユーザー名△メッセージ ID△ホスト名△;PLAN△ [操作ユーザー種別] ※△ [要求元ホスト IP アドレス,要求元識別情報] ※△オプション△ユニット名

注※

環境設定パラメーターAJSLOGOUTPUTEXTEND に「yes」を指定している場合に「△ [操作ユーザー種別] △ [要求元ホスト IP アドレス,要求元識別情報]」が出力されます。

出力条件

環境設定パラメーターOPELOG に「all」または「plan」が指定されている場合だけ出力されます。

出力例

```
C103 Mar 17 09:55:10 jp1admin 0 JP1_DEFAULT ;PLAN -F AJSR00T1 -r -X auto /net1
```

各項目について次の表に示します。

表 C-54 「ジョブネットの一時変更」 ログの出力項目（スケジューラーログ）

項目名	内容	長さ (単位: バイト)
ユーザー名	ajsplan コマンドを実行した JP1 ユーザー名が出力されます。コマンドの実行権限がない JP1 ユーザーで実行しようとした場合は、NULL 文字列が出力されます。	0~20
メッセージ ID	操作結果に対応したメッセージ ID が出力されます。操作が正常に実行された場合は、「0」が出力されます。	1, 10
ホスト名	操作の要求元ホスト名が出力されます。	1~255
操作ユーザー種別	接続したユーザーの種別（ADMIN または USER）が出力されます。 <ul style="list-style-type: none"> • ADMIN Administrators 権限またはスーパーユーザー権限を持つユーザー • USER 一般のユーザー 	4, 5

項目名	内容	長さ (単位: バイト)
要求元ホスト IP アドレス	<p>操作の要求元ホストの IP アドレスが出力されます。</p> <p>次に示すプログラムから実行した場合、またはコマンドをリモート実行した場合だけ出力されます。</p> <ul style="list-style-type: none"> • JP1/AJS3 - View • JP1/AJS3 - Web Console • JP1/AJS3 - Definition Assistant • JP1/AJS3 - Software Development Kit 	IPv4: 7~15 IPv6: 3~39
要求元識別情報	<p>リモート実行元の製品を識別するための情報が出力されます。JP1/AJS3 - View, JP1/AJS3 - Web Console, JP1/AJS3 - Definition Assistant, JP1/AJS3 - Software Development Kit から実行した場合、またはコマンドをリモート実行した場合だけ出力されます。</p> <ul style="list-style-type: none"> • JP1/AJS2-View 実行元が JP1/AJS3 - View の場合 • JP1/AJS3-WEB 実行元が JP1/AJS3 - Web Console の場合 • JP1/AJS2-DA(IN=エクスポート元ファイル名, OUT=エクスポート実行結果ファイル名) 実行元が JP1/AJS3 - Definition Assistant の場合 • REMOTE コマンドをリモート実行した場合、またはリモートジョブネットがコマンドを実行した場合 • JP1/AJS3-SDK 実行元が JP1/AJS3 - Software Development Kit の場合 <p>長さが 100 バイトを超える場合は、100 バイトまでが出力されません。</p>	1~100
オプション*	ajsplan コマンド実行時に指定したオプションが出力されます。	1~500
ユニット名	ajsplan コマンド実行時に指定したユニット名が出力されます。	1~930

注※

オプションの値の部分 (オプション名と、それに続く半角スペース (△) を除く) が 64 バイトを超える場合、64 バイトまでが出力されます。

また、オプション全体が 500 バイトを超える場合は、500 バイトまでが出力されます。ただし、オプション名の途中で 500 バイトを超える場合、そのオプションは出力されません。

(55) 「ジョブネットの実行の中断」 ログの出力形式

「ジョブネットの実行の中断」 ログの出力形式を次に示します。

ログ情報にプロセス ID を出力しない場合

C104△日付△時刻△ユーザー名△メッセージ ID△ホスト名△;INTRPT△ [操作ユーザー種別] ※△
 [要求元ホスト IP アドレス,要求元識別情報] ※△オプション△ユニット名

ログ情報にプロセス ID を出力する場合

C104△日付△時刻△ [プロセス ID] △ユーザー名△メッセージ ID△ホスト名△;INTRPT△ [操作ユーザー種別] *△ [要求元ホスト IP アドレス,要求元識別情報] *△オプション△ユニット名

注※

環境設定パラメーターAJSLOGOUTPUTEXTEND に「yes」を指定している場合に「△ [操作ユーザー種別] △ [要求元ホスト IP アドレス,要求元識別情報]」が出力されます。

出力条件

環境設定パラメーターOPELOG に「all」または「intrpt」が指定されている場合だけ出力されます。

出力例

C104 Mar 17 09:56:36 jp1admin 0 JP1_DEFAULT ;INTRPT -F AJSR00T1 -X auto /net1

各項目について次の表に示します。

表 C-55 「ジョブネットの実行の中断」 ログの出力項目 (スケジューラーログ)

項目名	内容	長さ (単位: バイト)
ユーザー名	ajsintrpt コマンドを実行した JP1 ユーザー名が出力されます。コマンドの実行権限がない JP1 ユーザーで実行しようとした場合は、NULL 文字列が出力されます。	0~20
メッセージ ID	操作結果に対応したメッセージ ID が出力されます。操作が正常に実行された場合は、「0」が出力されます。	1, 10
ホスト名	操作の要求元ホスト名が出力されます。	1~255
操作ユーザー種別	接続したユーザーの種別 (ADMIN または USER) が出力されます。 <ul style="list-style-type: none"> ADMIN Administrators 権限またはスーパーユーザー権限を持つユーザー USER 一般のユーザー 	4, 5
要求元ホスト IP アドレス	操作の要求元ホストの IP アドレスが出力されます。 次に示すプログラムから実行した場合、またはコマンドをリモート実行した場合だけ出力されます。 <ul style="list-style-type: none"> JP1/AJS3 - View JP1/AJS3 - Web Console JP1/AJS3 - Definition Assistant JP1/AJS3 - Software Development Kit 	IPv4 : 7~15 IPv6 : 3~39
要求元識別情報	リモート実行元の製品を識別するための情報が出力されます。JP1/AJS3 - View, JP1/AJS3 - Web Console, JP1/AJS3 - Definition Assistant, JP1/AJS3 - Software Development Kit から実行した場合、またはコマンドをリモート実行した場合だけ出力されます。 <ul style="list-style-type: none"> JP1/AJS2-View 実行元が JP1/AJS3 - View の場合 	1~100

項目名	内容	長さ (単位: バイト)
要求元識別情報	<ul style="list-style-type: none"> • JP1/AJS3-WEB 実行元が JP1/AJS3 - Web Console の場合 • JP1/AJS2-DA(IN=エクスポート元ファイル名, OUT=エクスポート実行結果ファイル名) 実行元が JP1/AJS3 - Definition Assistant の場合 • REMOTE コマンドをリモート実行した場合, またはリモートジョブネットがコマンドを実行した場合 • JP1/AJS3-SDK 実行元が JP1/AJS3 - Software Development Kit の場合 長さが 100 バイトを超える場合は, 100 バイトまでが出力されません。	1~100
オプション※	ajsintrpt コマンド実行時に指定したオプションが出力されます。	1~500
ユニット名	ajsintrpt コマンド実行時に指定したユニット名が出力されます。	1~930

注※

オプションの値の部分 (オプション名と, それに続く半角スペース (△) を除く) が 64 バイトを超える場合, 64 バイトまでが出力されます。

また, オプション全体が 500 バイトを超える場合は, 500 バイトまでが出力されます。ただし, オプション名の途中で 500 バイトを超える場合, そのオプションは出力されません。

(56) 「ジョブネットの再実行」 ログの出力形式

「ジョブネットの再実行」 ログの出力形式を次に示します。

ログ情報にプロセス ID を出力しない場合

C105△日付△時刻△ユーザー名△メッセージ ID△ホスト名△;RERUN△ [操作ユーザー種別] ※△ [要求元ホスト IP アドレス,要求元識別情報] ※△オプション△ユニット名

ログ情報にプロセス ID を出力する場合

C105△日付△時刻△ [プロセス ID] △ユーザー名△メッセージ ID△ホスト名△;RERUN△ [操作ユーザー種別] ※△ [要求元ホスト IP アドレス,要求元識別情報] ※△オプション△ユニット名

注※

環境設定パラメーター AJSLOGOUTPUTEXTEND に 「yes」 を指定している場合に 「△ [操作ユーザー種別] △ [要求元ホスト IP アドレス,要求元識別情報]」 が出力されます。

出力条件

環境設定パラメーター OPELOG に 「all」 または 「rerun」 が指定されている場合だけ出力されます。

出力例

```
C105 Mar 04 16:36:47 jp1admin KAVS0141-E JP1_DEFAULT ;RERUN -F AJSR00T1 -t -X no /group/net1:@A118
```

各項目について次の表に示します。

表 C-56 「ジョブネットの再実行」 ログの出力項目（スケジューラーログ）

項目名	内容	長さ（単位：バイト）
ユーザー名	ajsrerun コマンドを実行した JP1 ユーザー名が出力されます。コマンドの実行権限がない JP1 ユーザーで実行しようとした場合は、NULL 文字列が出力されます。	0～20
メッセージ ID	操作結果に対応したメッセージ ID が出力されます。操作が正常に実行された場合は、「0」が出力されます。	1, 10
ホスト名	操作の要求元ホスト名が出力されます。	1～255
操作ユーザー種別	接続したユーザーの種別（ADMIN または USER）が出力されます。 <ul style="list-style-type: none"> • ADMIN Administrators 権限またはスーパーユーザー権限を持つユーザー • USER 一般のユーザー 	4, 5
要求元ホスト IP アドレス	操作の要求元ホストの IP アドレスが出力されます。次に示すプログラムから実行した場合、またはコマンドをリモート実行した場合だけ出力されます。 <ul style="list-style-type: none"> • JP1/AJS3 - View • JP1/AJS3 - Web Console • JP1/AJS3 - Definition Assistant • JP1/AJS3 - Software Development Kit 	IPv4：7～15 IPv6：3～39
要求元識別情報	リモート実行元の製品を識別するための情報が出力されます。JP1/AJS3 - View, JP1/AJS3 - Web Console, JP1/AJS3 - Definition Assistant, JP1/AJS3 - Software Development Kit から実行した場合、またはコマンドをリモート実行した場合だけ出力されます。 <ul style="list-style-type: none"> • JP1/AJS2-View 実行元が JP1/AJS3 - View の場合 • JP1/AJS3-WEB 実行元が JP1/AJS3 - Web Console の場合 • JP1/AJS2-DA(IN=エクスポート元ファイル名, OUT=エクスポート実行結果ファイル名) 実行元が JP1/AJS3 - Definition Assistant の場合 • REMOTE コマンドをリモート実行した場合、またはリモートジョブネットがコマンドを実行した場合 • JP1/AJS3-SDK 実行元が JP1/AJS3 - Software Development Kit の場合 長さが 100 バイトを超える場合は、100 バイトまでが出力されません。	1～100
オプション※	ajsrerun コマンド実行時に指定したオプションが出力されます。	1～500

項目名	内容	長さ (単位: バイト)
ユニット名	ajsrerun コマンド実行時に指定したユニット名が出力されます。	1~930

注※

オプションの値の部分 (オプション名と、それに続く半角スペース (△) を除く) が 64 バイトを超える場合、64 バイトまでが出力されます。

また、オプション全体が 500 バイトを超える場合は、500 バイトまでが出力されます。ただし、オプション名の途中で 500 バイトを超える場合、そのオプションは出力されません。

(57) 「ジョブネットのサスペンド/サスペンド解除」 ログの出力形式

「ジョブネットのサスペンド/サスペンド解除」 ログの出力形式を次に示します。

ログ情報にプロセス ID を出力しない場合

C106△日付△時刻△ユーザー名△メッセージ ID△ホスト名△;SUSPEND△ [操作ユーザー種別] ※△
[要求元ホスト IP アドレス,要求元識別情報] ※△オプション△ユニット名

ログ情報にプロセス ID を出力する場合

C106△日付△時刻△ [プロセス ID] △ユーザー名△メッセージ ID△ホスト名△;SUSPEND△ [操作ユーザー種別] ※△ [要求元ホスト IP アドレス,要求元識別情報] ※△オプション△ユニット名

注※

環境設定パラメーター AJSLOGOUTPUTEXTEND に 「yes」 を指定している場合に 「△ [操作ユーザー種別] △ [要求元ホスト IP アドレス,要求元識別情報]」 が出力されます。

出力条件

環境設定パラメーター OPELOG に 「all」 または 「suspend」 が指定されている場合だけ出力されます。

出力例

C106 Mar 04 16:36:14 jp1admin 0 JP1_DEFAULT ;SUSPEND -F AJSR00T1 -C -r /group/net1

各項目について次の表に示します。

表 C-57 「ジョブネットのサスペンド/サスペンド解除」 ログの出力項目 (スケジューラーログ)

項目名	内容	長さ (単位: バイト)
ユーザー名	ajssuspend コマンドを実行した JP1 ユーザー名が出力されます。コマンドの実行権限がない JP1 ユーザーで実行しようとした場合は、NULL 文字列が出力されます。	0~20
メッセージ ID	操作結果に対応したメッセージ ID が出力されます。操作が正常に実行された場合は、「0」が出力されます。	1, 10
ホスト名	操作の要求元ホスト名が出力されます。	1~255
操作ユーザー種別	接続したユーザーの種別 (ADMIN または USER) が出力されます。 • ADMIN	4, 5

項目名	内容	長さ (単位: バイト)
操作ユーザー種別	Administrators 権限またはスーパーユーザー権限を持つユーザー <ul style="list-style-type: none"> • USER 一般のユーザー 	4, 5
要求元ホスト IP アドレス	操作の要求元ホストの IP アドレスが出力されます。 次に示すプログラムから実行した場合、またはコマンドをリモート実行した場合だけ出力されます。 <ul style="list-style-type: none"> • JP1/AJS3 - View • JP1/AJS3 - Definition Assistant • JP1/AJS3 - Software Development Kit 	IPv4: 7~15 IPv6: 3~39
要求元識別情報	リモート実行元の製品を識別するための情報が出力されます。JP1/AJS3 - View, JP1/AJS3 - Definition Assistant, JP1/AJS3 - Software Development Kit から実行した場合、またはコマンドをリモート実行した場合だけ出力されます。 <ul style="list-style-type: none"> • JP1/AJS2-View 実行元が JP1/AJS3 - View の場合 • JP1/AJS2-DA(IN=エクスポート元ファイル名, OUT=エクスポート実行結果ファイル名) 実行元が JP1/AJS3 - Definition Assistant の場合 • REMOTE コマンドをリモート実行した場合、またはリモートジョブネットがコマンドを実行した場合 • JP1/AJS3-SDK 実行元が JP1/AJS3 - Software Development Kit の場合 長さ 100 バイトを超える場合は、100 バイトまでが出力されます。	1~100
オプション※	ajssuspend コマンド実行時に指定したオプションが出力されます。	1~500
ユニット名	ajssuspend コマンド実行時に指定したユニット名が出力されます。	1~930

注※

オプションの値の部分（オプション名と、それに続く半角スペース（△）を除く）が 64 バイトを超える場合、64 バイトまでが出力されます。

また、オプション全体が 500 バイトを超える場合は、500 バイトまでが出力されます。ただし、オプション名の途中で 500 バイトを超える場合、そのオプションは出力されません。

(58) 「登録予定情報のインポート」ログの出力形式

「登録予定情報のインポート」ログの出力形式を次に示します。

ログ情報にプロセス ID を出力しない場合

C107△日付△時刻△ユーザー名△メッセージ ID△ホスト名△;RGIMP△ [操作ユーザー種別] ※△オプション

ログ情報にプロセス ID を出力する場合

C107△日付△時刻△ [プロセス ID] △ユーザー名△メッセージ ID△ホスト名△;RGIMP△ [操作ユーザー種別] *△オプション

注※

環境設定パラメーターAJSLOGOUTPUTEXTENDに「yes」を指定している場合に「△ [操作ユーザー種別]」が出力されます。

出力条件

環境設定パラメーターOPELOGに「all」または「rgimport」が指定されている場合だけ出力されます。

出力例

```
C107 Mar 06 19:14:15 jp1admin KAVS0681-E JP1_DEFAULT ;RGIMP -F AJSR00T1 -i c:¥temp
¥entry_info.txt
```

各項目について次の表に示します。

表 C-58 「登録予定情報のインポート」ログの出力項目（スケジューラーログ）

項目名	内容	長さ（単位：バイト）
ユーザー名	ajsgimport コマンドを実行した JP1 ユーザー名が出力されます。コマンドの実行権限がない JP1 ユーザーで実行しようとした場合は、NULL 文字列が出力されます。	0~20
メッセージ ID	操作結果に対応したメッセージ ID が出力されます。操作が正常に実行された場合は、「0」が出力されます。	1, 10
ホスト名	操作の要求元ホスト名が出力されます。	1~255
操作ユーザー種別	接続したユーザーの種別（ADMIN または USER）が出力されます。 <ul style="list-style-type: none">• ADMIN Administrators 権限またはスーパーユーザー権限を持つユーザー• USER 一般のユーザー	4, 5
オプション※	ajsgimport コマンド実行時に指定したオプションが出力されます。	1~500

注※

オプションの値の部分（オプション名と、それに続く半角スペース（△）を除く）が 64 バイトを超える場合、64 バイトまでが出力されます。

また、オプション全体が 500 バイトを超える場合は、500 バイトまでが出力されます。ただし、オプション名の途中で 500 バイトを超える場合、そのオプションは出力されません。

(59) 「登録予定情報のインポートによるジョブネットの登録」ログの出力形式

「登録予定情報のインポートによるジョブネットの登録」ログの出力形式を次に示します。

ログ情報にプロセス ID を出力しない場合

C108△日付△時刻△ユーザー名△メッセージ ID△ホスト名△;RGIMP△ [操作ユーザー種別] ※△オプション△ユニット名

ログ情報にプロセス ID を出力する場合

C108△日付△時刻△ [プロセス ID] △ユーザー名△メッセージ ID△ホスト名△;RGIMP△ [操作ユーザー種別] ※△オプション△ユニット名

注※

環境設定パラメーターAJSLOGOUTPUTEXTEND に「yes」を指定している場合に「△ [操作ユーザー種別]」が出力されます。

出力条件

環境設定パラメーターOPELOG に「all」または「rgimport」が指定されている場合だけ出力されます。

出力例

```
C108 Mar 06 19:14:15 jp1admin KAVS4832-E JP1_DEFAULT ;RGIMP -F AJSR00T1 /group/net1
```

各項目について次の表に示します。

表 C-59 「登録予定情報のインポートによるジョブネットの登録」ログの出力項目（スケジューラーログ）

項目名	内容	長さ (単位: バイト)
ユーザー名	ajsrgimport コマンドを実行した JP1 ユーザー名が出力されます。コマンドの実行権限がない JP1 ユーザーで実行しようとした場合は、NULL 文字列が出力されます。	0~20
メッセージ ID	操作結果に対応したメッセージ ID が出力されます。操作が正常に実行された場合は、「0」が出力されます。	1, 10
ホスト名	操作の要求元ホスト名が出力されます。	1~255
操作ユーザー種別	接続したユーザーの種別 (ADMIN または USER) が出力されます。 <ul style="list-style-type: none">• ADMIN Administrators 権限またはスーパーユーザー権限を持つユーザー• USER 一般のユーザー	4, 5
オプション※	ajsrgimport コマンドでジョブネットを登録したときのオプションが出力されます。	1~500
ユニット名	ajsrgimport コマンドで実際に登録したルートジョブネット名が出力されます。	1~930

注※

オプションの値の部分 (オプション名と、それに続く半角スペース (△) を除く) が 64 バイトを超える場合、64 バイトまでが出力されます。

また、オプション全体が 500 バイトを超える場合は、500 バイトまでが出力されます。ただし、オプション名の途中で 500 バイトを超える場合、そのオプションは出力されません。

(60) 「ジョブネット・ジョブの強制終了」 ログの出力形式

「ジョブネット・ジョブの強制終了」 ログの出力形式を次に示します。

ログ情報にプロセス ID を出力しない場合

C201△日付△時刻△ユーザー名△メッセージ ID△ホスト名△;KILL△ [操作ユーザー種別] ※△ [要求元ホスト IP アドレス,要求元識別情報] ※△オプション△ユニット名

ログ情報にプロセス ID を出力する場合

C201△日付△時刻△ [プロセス ID] △ユーザー名△メッセージ ID△ホスト名△;KILL△ [操作ユーザー種別] ※△ [要求元ホスト IP アドレス,要求元識別情報] ※△オプション△ユニット名

注※

環境設定パラメーター AJSLOGOUTPUTEXTEND に「yes」を指定している場合に「△ [操作ユーザー種別] △ [要求元ホスト IP アドレス,要求元識別情報]」が出力されます。

出力条件

環境設定パラメーター OPELOG に「all」または「kill」が指定されている場合だけ出力されます。

出力例

```
C201 Mar 06 19:14:15 jp1admin KAVS0129-E JP1_DEFAULT ;KILL -F AJSR00T1 -X no /group/
net1:@A137
```

各項目について次の表に示します。

表 C-60 「ジョブネット・ジョブの強制終了」 ログの出力項目（スケジューラーログ）

項目名	内容	長さ（単位：バイト）
ユーザー名	ajskill コマンドを実行した JP1 ユーザー名が出力されます。コマンドの実行権限がない JP1 ユーザーで実行しようとした場合は、NULL 文字列が出力されます。	0~20
メッセージ ID	操作結果に対応したメッセージ ID が出力されます。操作が正常に実行された場合は、「0」が出力されます。	1, 10
ホスト名	操作の要求元ホスト名が出力されます。	1~255
操作ユーザー種別	接続したユーザーの種別（ADMIN または USER）が出力されます。 <ul style="list-style-type: none"> ADMIN Administrators 権限またはスーパーユーザー権限を持つユーザー USER 一般のユーザー 	4, 5
要求元ホスト IP アドレス	操作の要求元ホストの IP アドレスが出力されます。	IPv4 : 7~15 IPv6 : 3~39

項目名	内容	長さ (単位: バイト)
要求元ホスト IP アドレス	次に示すプログラムから実行した場合、またはコマンドをリモート実行した場合だけ出力されます。 <ul style="list-style-type: none"> JP1/AJS3 - View JP1/AJS3 - Web Console JP1/AJS3 - Definition Assistant JP1/AJS3 - Software Development Kit 	IPv4: 7~15 IPv6: 3~39
要求元識別情報	リモート実行元の製品を識別するための情報が出力されます。JP1/AJS3 - View, JP1/AJS3 - Web Console, JP1/AJS3 - Definition Assistant, JP1/AJS3 - Software Development Kit から実行した場合、またはコマンドをリモート実行した場合だけ出力されます。 <ul style="list-style-type: none"> JP1/AJS2-View 実行元が JP1/AJS3 - View の場合 JP1/AJS3-WEB 実行元が JP1/AJS3 - Web Console の場合 JP1/AJS2-DA(IN=エクスポート元ファイル名, OUT=エクスポート実行結果ファイル名) 実行元が JP1/AJS3 - Definition Assistant の場合 REMOTE コマンドをリモート実行した場合、またはリモートジョブネットがコマンドを実行した場合 JP1/AJS3-SDK 実行元が JP1/AJS3 - Software Development Kit の場合 長さ が 100 バイトを超える場合は、100 バイトまでが出力されます。	1~100
オプション※	ajskill コマンド実行時に指定したオプションが出力されます。	1~500
ユニット名	ajskill コマンド実行時に指定したユニット名が出力されます。	1~930

注※

オプションの値の部分（オプション名と、それに続く半角スペース（△）を除く）が 64 バイトを超える場合、64 バイトまでが出力されます。

また、オプション全体が 500 バイトを超える場合は、500 バイトまでが出力されます。ただし、オプション名の途中で 500 バイトを超える場合、そのオプションは出力されません。

(61) 「ジョブの状態変更」ログの出力形式

「ジョブの状態変更」ログの出力形式を次に示します。

ログ情報にプロセス ID を出力しない場合

C202△日付△時刻△ユーザー名△メッセージ ID△ホスト名△;CHGSTAT△ [操作ユーザー種別] ※△
[要求元ホスト IP アドレス,要求元識別情報] ※△オプション△ユニット名

ログ情報にプロセス ID を出力する場合

C202△日付△時刻△ [プロセス ID] △ユーザー名△メッセージ ID△ホスト名△;CHGSTAT△ [操作ユーザー種別] *△ [要求元ホスト IP アドレス,要求元識別情報] *△オプション△ユニット名

注※

環境設定パラメーターAJSLOGOUTPUTEXTEND に「yes」を指定している場合に「△ [操作ユーザー種別] △ [要求元ホスト IP アドレス,要求元識別情報]」が出力されます。

出力条件

環境設定パラメーターOPELOG に「all」または「chgst」が指定されている場合だけ出力されます。

出力例

```
C202 Mar 17 09:58:13 jp1admin 0 JP1_DEFAULT ;CHGSTAT -F AJSR00T1 -t normal -X auto / net1/job
```

各項目について次の表に示します。

表 C-61 「ジョブの状態変更」ログの出力項目（スケジューラーログ）

項目名	内容	長さ（単位：バイト）
ユーザー名	ajschgstat コマンドを実行した JP1 ユーザー名が出力されます。コマンドの実行権限がない JP1 ユーザーで実行しようとした場合は、NULL 文字列が出力されます。	0~20
メッセージ ID	操作結果に対応したメッセージ ID が出力されます。操作が正常に実行された場合は、「0」が出力されます。	1, 10
ホスト名	操作の要求元ホスト名が出力されます。	1~255
操作ユーザー種別	接続したユーザーの種別（ADMIN または USER）が出力されます。 <ul style="list-style-type: none"> ADMIN Administrators 権限またはスーパーユーザー権限を持つユーザー USER 一般のユーザー 	4, 5
要求元ホスト IP アドレス	操作の要求元ホストの IP アドレスが出力されます。 次に示すプログラムから実行した場合、またはコマンドをリモート実行した場合だけ出力されます。 <ul style="list-style-type: none"> JP1/AJS3 - View JP1/AJS3 - Web Console JP1/AJS3 - Definition Assistant JP1/AJS3 - Software Development Kit 	IPv4 : 7~15 IPv6 : 3~39
要求元識別情報	リモート実行元の製品を識別するための情報が出力されます。JP1/AJS3 - View, JP1/AJS3 - Web Console, JP1/AJS3 - Definition Assistant, JP1/AJS3 - Software Development Kit から実行した場合、またはコマンドをリモート実行した場合だけ出力されます。 <ul style="list-style-type: none"> JP1/AJS2-View 	1~100

項目名	内容	長さ (単位: バイト)
要求元識別情報	実行元が JP1/AJS3 - View の場合 <ul style="list-style-type: none"> JP1/AJS3-WEB 実行元が JP1/AJS3 - Web Console の場合 <ul style="list-style-type: none"> JP1/AJS2-DA(IN=エクスポート元ファイル名, OUT=エクスポート実行結果ファイル名) 実行元が JP1/AJS3 - Definition Assistant の場合 <ul style="list-style-type: none"> REMOTE コマンドをリモート実行した場合, またはリモートジョブネットがコマンドを実行した場合 <ul style="list-style-type: none"> JP1/AJS3-SDK 実行元が JP1/AJS3 - Software Development Kit の場合 長さが 100 バイトを超える場合は, 100 バイトまでが出力されません。	1~100
オプション※	ajschgstat コマンド実行時に指定したオプションが出力されます。	1~500
ユニット名	ajschgstat コマンド実行時に指定したユニット名が出力されます。	1~930

注※

オプションの値の部分 (オプション名と, それに続く半角スペース (△) を除く) が 64 バイトを超える場合, 64 バイトまでが出力されます。

また, オプション全体が 500 バイトを超える場合は, 500 バイトまでが出力されます。ただし, オプション名の途中で 500 バイトを超える場合, そのオプションは出力されません。

(62) 「ユニットの定義内容変更」 ログの出力形式

「ユニットの定義内容変更」 ログの出力形式を次に示します。

ログ情報にプロセス ID を出力しない場合

C301△日付△時刻△ユーザー名△メッセージ ID△ホスト名△;CHANGE△ [操作ユーザー種別] ※△ [要求元ホスト IP アドレス,要求元識別情報] ※△オプション※△ユニット名

ログ情報にプロセス ID を出力する場合

C301△日付△時刻△ [プロセス ID] △ユーザー名△メッセージ ID△ホスト名△;CHANGE△ [操作ユーザー種別] ※△ [要求元ホスト IP アドレス,要求元識別情報] ※△オプション※△ユニット名

注※

環境設定パラメーター AJSLOGOUTPUTEXTEND に 「yes」 を指定している場合に 「△ [操作ユーザー種別] △ [要求元ホスト IP アドレス,要求元識別情報] △オプション」 が出力されます。

出力条件

環境設定パラメーター OPELOG に 「all」 または 「change」 が指定されている場合だけ出力されます。

コマンドの場合の出力例

コメントに「月次ジョブネット」を設定し、保存世代数に「10」を設定した場合

```
C301 Mar 03 13:59:30 jpladmin 0 JP1_DEFAULT ;CHANGE [ADMIN] [CHANGE] -F AJSROOT1 -C "月次ジョブネット" -l "10" /net
```

JP1/AJS3 - View の場合の出力例

実行ファイル名に「c:¥user¥pgm.exe」を設定し、実行優先順位に「1」を設定した場合

```
C301 Mar 05 13:59:30 jpladmin 0 JP1_DEFAULT ;CHANGE [ADMIN] [127.0.0.1, JP1/AJS2-View] [VIEW] pr=1; sc="c:¥user¥pgm.exe"; AJSROOT1:/net/job
```

実行ファイル名を空に、実行優先順位に「なし（デフォルト）」を設定した場合

```
C301 Mar 05 13:59:30 jpladmin 0 JP1_DEFAULT ;CHANGE [ADMIN] [127.0.0.1, JP1/AJS2-View] [VIEW] pr=; sc=; AJSROOT1:/net/job
```

スケジュールルール「1」をコピーし、スケジュールルール「2」を作成した場合

```
C301 Mar 03 13:59:30 jpladmin 0 JP1_DEFAULT ; CHANGE [ADMIN] [127.0.0.1, JP1/AJS2-View] [VIEW] sd; st; cy; sh; shd; AJSROOT1:/net
```

次のパラメーターは、指定できる個数や長さが可変であり、差分抽出ができないため変更したパラメーター名だけを出力します。

sd, st, sy, ey, ln, cy, sh, shd, wt, wc, cftd, el, ar, env, evwfr, jpoif, mladr, mlsbj, mltxt, mlatf, lftpd, lffnm, lfmks, hlsh, hleh

また、パラメーターの内容を変更しないで順番だけを変更したときは、「ユニットの定義内容変更」ログは出力されますが、変更の差分は出力されません。

JP1/AJS3 - Web Console の場合の出力例

実行ファイル名に「c:¥user¥pgm.exe」を設定し、実行優先順位に「1」を設定した場合

```
C301 Mar 05 13:59:30 jpladmin 0 JP1_DEFAULT ;CHANGE [ADMIN] [127.0.0.1, JP1/AJS3-WEB] [WEB] pr=1; sc="c:¥user¥pgm.exe"; AJSROOT1:/net/job
```

実行ファイル名を空に、実行優先順位に「なし（デフォルト）」を設定した場合

```
C301 Mar 05 13:59:30 jpladmin 0 JP1_DEFAULT ;CHANGE [ADMIN] [127.0.0.1, JP1/AJS3-WEB] [WEB] pr=; sc=; AJSROOT1:/net/job
```

次のパラメーターは、指定できる個数や長さが可変であり、差分抽出ができないため変更したパラメーター名だけを出力します。

env

また、パラメーターの内容を変更しないで順番だけを変更したときは、「ユニットの定義内容変更」ログは出力されますが、変更の差分は出力されません。

各項目について次の表に示します。

表 C-62 「ユニットの定義内容変更」 ログの出力項目（スケジューラーログ）

項目名	内容	長さ（単位：バイト）
ユーザー名	ajschange, ajschgjob または ajschgnet コマンドを実行した JP1 ユーザー名が出力されます。コマンドの実行権限がない JP1 ユーザーで実行しようとした場合は、NULL 文字列が出力されます。	0~20
メッセージ ID	操作結果に対応したメッセージ ID が出力されます。操作が正常に実行された場合は、「0」が出力されます。	1, 10
ホスト名	操作の要求元ホスト名が出力されます。	1~255
操作ユーザー種別	接続したユーザーの種別（ADMIN または USER）が出力されます。 <ul style="list-style-type: none"> • ADMIN Administrators 権限またはスーパーユーザー権限を持つユーザー • USER 一般のユーザー 	4, 5
要求元ホスト IP アドレス	操作の要求元ホストの IP アドレスが出力されます。 次に示すプログラムから実行した場合、またはコマンドをリモート実行した場合だけ出力されます。 <ul style="list-style-type: none"> • JP1/AJS3 - View • JP1/AJS3 - Web Console • JP1/AJS3 - Definition Assistant • JP1/AJS3 - Software Development Kit 	IPv4 : 7~15 IPv6 : 3~39
要求元識別情報	リモート実行元の製品を識別するための情報が出力されます。JP1/AJS3 - View, JP1/AJS3 - Web Console, JP1/AJS3 - Definition Assistant, JP1/AJS3 - Software Development Kit から実行した場合、またはコマンドをリモート実行した場合だけ出力されます。 <ul style="list-style-type: none"> • JP1/AJS2-View 実行元が JP1/AJS3 - View の場合 • JP1/AJS3-WEB 実行元が JP1/AJS3 - Web Console の場合 • JP1/AJS2-DA(IN=エクスポート元ファイル名, OUT=エクスポート実行結果ファイル名) 実行元が JP1/AJS3 - Definition Assistant の場合 • REMOTE コマンドをリモート実行した場合、またはリモートジョブネットがコマンドを実行した場合 • JP1/AJS3-SDK 実行元が JP1/AJS3 - Software Development Kit の場合 長さが 100 バイトを超える場合は、100 バイトまでが出力されません。	1~100
オプション※	ajschange, ajschgnet, ajschgjob コマンド実行時に指定したオプション、または JP1/AJS3 - View, JP1/AJS3 - Web Console の変更内容が出力されます。	1~510

項目名	内容	長さ (単位: バイト)
オプション※	<p>08-00 以前の場合、オプションは出力されません。</p> <p>08-10 以降の場合、AJSLOGOUTPUTTEXTEND に「yes」を指定しているときに出力されます。</p> <p>出力内容は、定義変更操作種別に続けてそれぞれのコマンドに対応したオプション、または JP1/AJS3 - View の変更内容が出力されます。</p> <p>定義変更操作種別には次の値が出力されます。</p> <ul style="list-style-type: none"> • ajschange の場合: CHANGE • ajschgnet の場合: CHGNET • ajschgjob の場合: CHGJOB • JP1/AJS3 - View の場合: VIEW • JP1/AJS3 - Web Console の場合: WEB 	1~510
ユニット名	<p>ajschange, ajschgnet, ajschgjob コマンド実行時に指定したユニット名、JP1/AJS3 - View または JP1/AJS3 - Web Console で操作したユニット名が出力されます。</p> <p>ajschange, ajschgnet, および ajschgjob コマンドの場合、ユニット名にはスケジューラーサービス名を含みません。オプション部分に「-f スケジューラーサービス名」の形式で表示されます。また、JP1/AJS3 - View または JP1/AJS3 - Web Console で操作した場合、ユニット名にはスケジューラーサービス名が含まれます。</p>	1~930

注※

オプションの値の部分 (オプション名と、それに続く半角スペース (△) を除く) または変更内容の値の部分 (パラメーター名とそれに続く半角イコール (=) を除く) が 64 バイトを超える場合、64 バイトまでが出力されます。

また、オプション全体が 500 バイトを超える場合は、500 バイトまでが出力されます。ただし、オプション名またはパラメーター名の途中で 500 バイトを超える場合、そのオプションは出力されません。

(63) 「ユニットの削除」ログの出力形式

「ユニットの削除」ログの出力形式を次に示します。

ログ情報にプロセス ID を出力しない場合

C302△日付△時刻△ユーザー名△メッセージ ID△ホスト名△;DELETE△ [操作ユーザー種別] ※△ [要求元ホスト IP アドレス,要求元識別情報] ※△オプション△ユニット名

ログ情報にプロセス ID を出力する場合

C302△日付△時刻△ [プロセス ID] △ユーザー名△メッセージ ID△ホスト名△;DELETE△ [操作ユーザー種別] ※△ [要求元ホスト IP アドレス,要求元識別情報] ※△オプション△ユニット名

注※

環境設定パラメーター AJSLOGOUTPUTTEXTEND に「yes」を指定している場合に「△ [操作ユーザー種別] △ [要求元ホスト IP アドレス,要求元識別情報]」が出力されます。

出力条件

環境設定パラメーターOPELOGに「all」または「delete」が指定されている場合だけ出力されます。

出力例

```
C302 Mar 05 12:25:43 jp1admin 0 JP1_DEFAULT ;DELETE -F AJSR00T1 -S /group/net1
```

各項目について次の表に示します。

表 C-63 「ユニットの削除」 ログの出力項目（スケジューラーログ）

項目名	内容	長さ（単位：バイト）
ユーザー名	ajsdelete コマンドを実行した JP1 ユーザー名が出力されます。コマンドの実行権限がない JP1 ユーザーで実行しようとした場合は、NULL 文字列が出力されます。	0～20
メッセージ ID	操作結果に対応したメッセージ ID が出力されます。操作が正常に実行された場合は、「0」が出力されます。	1, 10
ホスト名	操作の要求元ホスト名が出力されます。	1～255
操作ユーザー種別	接続したユーザーの種別（ADMIN または USER）が出力されます。 <ul style="list-style-type: none">• ADMIN Administrators 権限またはスーパーユーザー権限を持つユーザー• USER 一般のユーザー	4, 5
要求元ホスト IP アドレス	操作の要求元ホストの IP アドレスが出力されます。 次に示すプログラムから実行した場合、またはコマンドをリモート実行した場合だけ出力されます。 <ul style="list-style-type: none">• JP1/AJS3 - View• JP1/AJS3 - Definition Assistant• JP1/AJS3 - Software Development Kit	IPv4：7～15 IPv6：3～39
要求元識別情報	リモート実行元の製品を識別するための情報が出力されます。JP1/AJS3 - View, JP1/AJS3 - Definition Assistant, JP1/AJS3 - Software Development Kit から実行した場合、またはコマンドをリモート実行した場合だけ出力されます。 <ul style="list-style-type: none">• JP1/AJS2-View 実行元が JP1/AJS3 - View の場合• JP1/AJS2-DA(IN=エクスポート元ファイル名, OUT=エクスポート実行結果ファイル名) 実行元が JP1/AJS3 - Definition Assistant の場合• REMOTE コマンドをリモート実行した場合、またはリモートジョブネットがコマンドを実行した場合• JP1/AJS3-SDK 実行元が JP1/AJS3 - Software Development Kit の場合	1～100

項目名	内容	長さ (単位: バイト)
要求元識別情報	長さが 100 バイトを超える場合は、100 バイトまでが出力されません。	1~100
オプション※	ajsdelete コマンド実行時に指定したオプションが出力されます。	1~500
ユニット名	ajsdelete コマンド実行時に指定したユニット名が出力されます。	1~930

注※

オプションの値の部分 (オプション名と、それに続く半角スペース (△) を除く) が 64 バイトを超える場合、64 バイトまでが出力されます。

また、オプション全体が 500 バイトを超える場合は、500 バイトまでが出力されます。ただし、オプション名の途中で 500 バイトを超える場合、そのオプションは出力されません。

(64) 「ユニットの回復」 ログの出力形式

「ユニットの回復」 ログの出力形式を次に示します。

ログ情報にプロセス ID を出力しない場合

C303△日付△時刻△ユーザー名△メッセージ ID△ホスト名△;RESTORE△ [操作ユーザー種別] ※△ [要求元ホスト IP アドレス,要求元識別情報] ※△オプション△ユニット名

ログ情報にプロセス ID を出力する場合

C303△日付△時刻△ [プロセス ID] △ユーザー名△メッセージ ID△ホスト名△;RESTORE△ [操作ユーザー種別] ※△ [要求元ホスト IP アドレス,要求元識別情報] ※△オプション△ユニット名

注※

環境設定パラメーター AJSLOGOUTPUTTEXTEND に「yes」を指定している場合に「△ [操作ユーザー種別] △ [要求元ホスト IP アドレス,要求元識別情報]」が出力されます。

出力条件

環境設定パラメーター OPELOG に「all」または「restore」が指定されている場合だけ出力されます。

出力例

```
C303 Mar 03 10:00:22 jp1admin 0 JP1_DEFAULT ;RESTORE -F AJSR00T1 -e -n box
```

各項目について次の表に示します。

表 C-64 「ユニットの回復」 ログの出力項目 (スケジューラーログ)

項目名	内容	長さ (単位: バイト)
ユーザー名	ajsrestore コマンドを実行した JP1 ユーザー名が出力されます。コマンドの実行権限がない JP1 ユーザーで実行しようとした場合は、NULL 文字列が出力されます。	0~20
メッセージ ID	操作結果に対応したメッセージ ID が出力されます。操作が正常に実行された場合は、「0」が出力されます。	1, 10

項目名	内容	長さ (単位: バイト)
ホスト名	操作の要求元ホスト名が出力されます。	1~255
操作ユーザー種別	接続したユーザーの種別 (ADMIN または USER) が出力されます。 <ul style="list-style-type: none"> • ADMIN Administrators 権限またはスーパーユーザー権限を持つユーザー • USER 一般のユーザー 	4, 5
要求元ホスト IP アドレス	操作の要求元ホストの IP アドレスが出力されます。 次に示すプログラムから実行した場合、またはコマンドをリモート実行した場合だけ出力されます。 <ul style="list-style-type: none"> • JP1/AJS3 - View • JP1/AJS3 - Definition Assistant • JP1/AJS3 - Software Development Kit 	IPv4: 7~15 IPv6: 3~39
要求元識別情報	リモート実行元の製品を識別するための情報が出力されます。JP1/AJS3 - View, JP1/AJS3 - Definition Assistant, JP1/AJS3 - Software Development Kit から実行した場合、またはコマンドをリモート実行した場合だけ出力されます。 <ul style="list-style-type: none"> • JP1/AJS2-View 実行元が JP1/AJS3 - View の場合 • JP1/AJS2-DA(IN=エクスポート元ファイル名, OUT=エクスポート実行結果ファイル名) 実行元が JP1/AJS3 - Definition Assistant の場合 • REMOTE コマンドをリモート実行した場合、またはリモートジョブネットがコマンドを実行した場合 • JP1/AJS3-SDK 実行元が JP1/AJS3 - Software Development Kit の場合 長さ が 100 バイトを超える場合は、100 バイトまでが出力されません。	1~100
オプション※	ajsrestore コマンド実行時に指定したオプションが出力されます。	1~500
ユニット名	ajsrestore コマンド実行時に指定したユニット名が出力されます。	1~930

注※

オプションの値の部分 (オプション名と、それに続く半角スペース (△) を除く) が 64 バイトを超える場合、64 バイトまでが出力されます。

また、オプション全体が 500 バイトを超える場合は、500 バイトまでが出力されます。ただし、オプション名の途中で 500 バイトを超える場合、そのオプションは出力されません。

(65) 「ユニットの作成」 ログの出力形式

「ユニットの作成」 ログの出力形式を次に示します。

ログ情報にプロセス ID を出力しない場合

C304△日付△時刻△ユーザー名△メッセージ ID△ホスト名△;DEFINE△ [操作ユーザー種別] ※△
[要求元ホスト IP アドレス,要求元識別情報] ※△オプション△ユニット名

ログ情報にプロセス ID を出力する場合

C304△日付△時刻△ [プロセス ID] △ユーザー名△メッセージ ID△ホスト名△;DEFINE△ [操作ユーザー種別] ※△ [要求元ホスト IP アドレス,要求元識別情報] ※△オプション△ユニット名

注※

環境設定パラメーターAJSLOGOUTPUTEXTEND に「yes」を指定している場合に「△ [操作ユーザー種別] △ [要求元ホスト IP アドレス,要求元識別情報]」が出力されます。

出力条件

環境設定パラメーターOPELOG に「all」または「define」が指定されている場合だけ出力されます。

出力例

```
C304 Mar 03 14:00:46 jp1admin 0 JP1_DEFAULT ;DEFINE -F AJSR00T1 /net1
```

各項目について次の表に示します。

表 C-65 「ユニットの作成」 ログの出力項目（スケジューラーログ）

項目名	内容	長さ（単位：バイト）
ユーザー名	ajsdefine コマンドを実行した JP1 ユーザー名が出力されます。コマンドの実行権限がない JP1 ユーザーで実行しようとした場合は、NULL 文字列が出力されます。	0～20
メッセージ ID	操作結果に対応したメッセージ ID が出力されます。操作が正常に実行された場合は、「0」が出力されます。	1, 10
ホスト名	操作の要求元ホスト名が出力されます。	1～255
操作ユーザー種別	接続したユーザーの種別（ADMIN または USER）が出力されます。 <ul style="list-style-type: none">• ADMIN Administrators 権限またはスーパーユーザー権限を持つユーザー• USER 一般のユーザー	4, 5
要求元ホスト IP アドレス	操作の要求元ホストの IP アドレスが出力されます。 次に示すプログラムから実行した場合、またはコマンドをリモート実行した場合だけ出力されます。 <ul style="list-style-type: none">• JP1/AJS3 - View• JP1/AJS3 - Definition Assistant• JP1/AJS3 - Software Development Kit	IPv4：7～15 IPv6：3～39
要求元識別情報	リモート実行元の製品を識別するための情報が出力されます。JP1/AJS3 - View, JP1/AJS3 - Definition Assistant, JP1/AJS3 - Software Development Kit から実行した場合、またはコマンドをリモート実行した場合だけ出力されます。	1～100

項目名	内容	長さ (単位: バイト)
要求元識別情報	<ul style="list-style-type: none"> • JP1/AJS2-View 実行元が JP1/AJS3 - View の場合 • JP1/AJS2-DA(IN=エクスポート元ファイル名, OUT=エクスポート実行結果ファイル名) 実行元が JP1/AJS3 - Definition Assistant の場合 • REMOTE コマンドをリモート実行した場合, またはリモートジョブネットがコマンドを実行した場合 • JP1/AJS3-SDK 実行元が JP1/AJS3 - Software Development Kit の場合 長さが 100 バイトを超える場合は, 100 バイトまでが出力されません。	1~100
オプション※	異常終了時の場合だけ, ajsdefine コマンド実行時に指定したオプションが出力されます。	1~500
ユニット名または定義ファイル名	ajsdefine コマンド実行時に指定したユニット名または定義ファイル名が出力されます。 正常終了時はユニット名が出力されます。 異常終了時は定義ファイル名が出力されます。	1~930

注※

オプションの値の部分 (オプション名と, それに続く半角スペース (△) を除く) が 64 バイトを超える場合, 64 バイトまでが出力されます。

また, オプション全体が 500 バイトを超える場合は, 500 バイトまでが出力されます。ただし, オプション名の途中で 500 バイトを超える場合, そのオプションは出力されません。

(66) 「ユニットの複写, 移動」 ログの出力形式

「ユニットの複写, 移動」 ログの出力形式を次に示します。

ログ情報にプロセス ID を出力しない場合

C305△日付△時刻△ユーザー名△メッセージ ID△ホスト名△;COPY△ [操作ユーザー種別] ※△ [要求元ホスト IP アドレス,要求元識別情報] ※△オプション△ユニット名

ログ情報にプロセス ID を出力する場合

C305△日付△時刻△ [プロセス ID] △ユーザー名△メッセージ ID△ホスト名△;COPY△ [操作ユーザー種別] ※△ [要求元ホスト IP アドレス,要求元識別情報] ※△オプション△ユニット名

注※

環境設定パラメーター AJSLOGOUTPUTEXTEND に 「yes」 を指定している場合に 「△ [操作ユーザー種別] △ [要求元ホスト IP アドレス,要求元識別情報]」 が出力されます。

出力条件

環境設定パラメーター OPELOG に 「all」 または 「copy」 が指定されている場合だけ出力されます。

出力例

```
C305 Mar 13 11:21:57 jp1admin 0 JP1_DEFAULT ;COPY -F AJSR00T1 -c -o /group/net1/job11 /
group/net1/job1
```

各項目について次の表に示します。

表 C-66 「ユニットの複写, 移動」 ログの出力項目 (スケジューラーログ)

項目名	内容	長さ (単位: バイト)
ユーザー名	ajscopy コマンドを実行した JP1 ユーザー名が出力されます。コマンドの実行権限がない JP1 ユーザーで実行しようとした場合は、NULL 文字列が出力されます。	0~20
メッセージ ID	操作結果に対応したメッセージ ID が出力されます。操作が正常に実行された場合は、「0」が出力されます。	1, 10
ホスト名	操作の要求元ホスト名が出力されます。	1~255
操作ユーザー種別	接続したユーザーの種別 (ADMIN または USER) が出力されます。 <ul style="list-style-type: none"> • ADMIN Administrators 権限またはスーパーユーザー権限を持つユーザー • USER 一般のユーザー 	4, 5
要求元ホスト IP アドレス	操作の要求元ホストの IP アドレスが出力されます。 次に示すプログラムから実行した場合、またはコマンドをリモート実行した場合だけ出力されます。 <ul style="list-style-type: none"> • JP1/AJS3 - View • JP1/AJS3 - Definition Assistant • JP1/AJS3 - Software Development Kit 	IPv4 : 7~15 IPv6 : 3~39
要求元識別情報	リモート実行元の製品を識別するための情報が出力されます。JP1/AJS3 - View, JP1/AJS3 - Definition Assistant, JP1/AJS3 - Software Development Kit から実行した場合、またはコマンドをリモート実行した場合だけ出力されます。 <ul style="list-style-type: none"> • JP1/AJS2-View 実行元が JP1/AJS3 - View の場合 • JP1/AJS2-DA(IN=エクスポート元ファイル名, OUT=エクスポート実行結果ファイル名) 実行元が JP1/AJS3 - Definition Assistant の場合 • REMOTE コマンドをリモート実行した場合、またはリモートジョブネットがコマンドを実行した場合 • JP1/AJS3-SDK 実行元が JP1/AJS3 - Software Development Kit の場合 長さが 100 バイトを超える場合は、100 バイトまでが出力されません。	1~100

項目名	内容	長さ (単位: バイト)
オプション※	ajscopy コマンド実行時に指定したオプションが出力されます。	1~500
ユニット名	ajscopy コマンド実行時に指定したユニット名が出力されます。	1~930

注※

オプションの値の部分 (オプション名と、それに続く半角スペース (△) を除く) が 64 バイトを超える場合、64 バイトまでが出力されます。

また、オプション全体が 500 バイトを超える場合は、500 バイトまでが出力されます。ただし、オプション名の途中で 500 バイトを超える場合、そのオプションは出力されません。

(67) 「ユニットのインポート」 ログの出力形式

「ユニットのインポート」 ログの出力形式を次に示します。

ログ情報にプロセス ID を出力しない場合

C306△日付△時刻△ユーザー名△メッセージ ID△ホスト名△;IMPORT△ [操作ユーザー種別] ※△オプション

ログ情報にプロセス ID を出力する場合

C306△日付△時刻△ [プロセス ID] △ユーザー名△メッセージ ID△ホスト名△;IMPORT△ [操作ユーザー種別] ※△オプション

注※

環境設定パラメーターAJSLOGOUTPUTEXTEND に「yes」を指定している場合に「△ [操作ユーザー種別]」が出力されます。

出力条件

環境設定パラメーターOPELOG に「all」または「import」が指定されている場合だけ出力されます。

出力例

C306 Aug 12 09:14:22 jp1admin 0 JP1_DEFAULT ;IMPORT -i c:¥temp¥file AJSR00T1:/group/net

各項目について次の表に示します。

表 C-67 「ユニットのインポート」 ログの出力項目 (スケジューラーログ)

項目名	内容	長さ (単位: バイト)
ユーザー名	ajsimport コマンドを実行した JP1 ユーザー名が出力されます。コマンドの実行権限がない JP1 ユーザーで実行しようとした場合は、NULL 文字列が出力されます。	0~20
メッセージ ID	操作結果に対応したメッセージ ID が出力されます。操作が正常に実行された場合は、「0」が出力されます。	1, 10
ホスト名	操作の要求元ホスト名が出力されます。	1~255
操作ユーザー種別	接続したユーザーの種別 (ADMIN または USER) が出力されます。	4, 5

項目名	内容	長さ (単位: バイト)
操作ユーザー種別	<ul style="list-style-type: none"> ADMIN Administrators 権限またはスーパーユーザー権限を持つユーザー USER 一般のユーザー 	4, 5
オプション※	ajsimport コマンド実行時に指定したオプションが出力されます。	1~500

注※

オプションの値の部分 (オプション名と、それに続く半角スペース (△) を除く) が 64 バイトを超える場合、64 バイトまでが出力されます。

また、オプション全体が 500 バイトを超える場合は、500 バイトまでが出力されます。ただし、オプション名の途中で 500 バイトを超える場合、そのオプションは出力されません。

(68) 「ジョブネットのリリース」 ログの出力形式

「ジョブネットのリリース」 ログの出力形式を次に示します。

ログ情報にプロセス ID を出力しない場合

C307△日付△時刻△ユーザー名△メッセージ ID△ホスト名△;RELEASEOPE△ [操作ユーザー種別]
 ※△ [要求元ホスト IP アドレス,要求元識別情報] ※△オプション

ログ情報にプロセス ID を出力する場合

C307△日付△時刻△ [プロセス ID] △ユーザー名△メッセージ ID△ホスト名△;RELEASEOPE△ [操作ユーザー種別] ※△ [要求元ホスト IP アドレス,要求元識別情報] ※△オプション

注※

環境設定パラメーターAJSLOGOUTPUTEXTEND に「yes」を指定している場合に「△ [操作ユーザー種別] △ [要求元ホスト IP アドレス,要求元識別情報]」が出力されます。

出力条件

環境設定パラメーターOPELOG に「all」または「release」が指定されている場合だけ出力されます。

出力例

```
C307 Aug 28 13:28:49 jp1admin 0 JP1_DEFAULT ;RELEASEOPE -F AJSROOT1 -a /本番環境/unit001 -
rid 001 -rcm 2009/08/10 リリース定義 -rdy 2009/08/10 -rti 20:00 -ru /テスト環境/Rel001
```

各項目について次の表に示します。

表 C-68 「ジョブネットリリース」 ログの出力項目 (スケジューラーログ)

項目名	内容	長さ (単位: バイト)
ユーザー名	ajsrelease コマンドを実行した JP1 ユーザー名が出力されます。コマンドの実行権限がない JP1 ユーザーで実行しようとした場合は、NULL 文字列が出力されます。	0~20

項目名	内容	長さ (単位: バイト)
メッセージ ID	操作結果に対応したメッセージ ID が出力されます。操作が正常に実行された場合は、「0」が出力されます。	1, 10
ホスト名	操作の要求元ホスト名が出力されます。	1~255
操作ユーザー種別	接続したユーザーの種別 (ADMIN または USER) が出力されます。 <ul style="list-style-type: none"> • ADMIN Administrators 権限またはスーパーユーザー権限を持つユーザー • USER 一般のユーザー 	4, 5
要求元ホスト IP アドレス	操作の要求元ホストの IP アドレスが出力されます。 JP1/AJS3 - View から実行した場合だけ出力されます。	7~15
要求元識別情報	リモート実行元の製品を識別するための情報が出力されます。JP1/AJS3 - View から実行した場合だけ「JP1/AJS2-View」と出力されます。 長さが 100 バイトを超える場合は、100 バイトまでが出力されません。	1~100
オプション*	ajsrelease コマンド実行時に指定したオプションが出力されます。	1~500

注※

オプションの値の部分 (オプション名と、それに続く半角スペース (△) を除く) が 64 バイトを超える場合、64 バイトまでが出力されます。

また、オプション全体が 500 バイトを超える場合は、500 バイトまでが出力されます。ただし、オプション名の途中で 500 バイトを超える場合、そのオプションは出力されません。

(69) 「カレンダーの変更」 ログの出力形式

「カレンダーの変更」 ログの出力形式を次に示します。

ログ情報にプロセス ID を出力しない場合

C401△日付△時刻△ユーザー名△メッセージ ID△ホスト名△;CALENDAR△ [操作ユーザー種別] *
△ [要求元ホスト IP アドレス,要求元識別情報] *△オプション△ユニット名

ログ情報にプロセス ID を出力する場合

C401△日付△時刻△ [プロセス ID] △ユーザー名△メッセージ ID△ホスト名△;CALENDAR△ [操作ユーザー種別] *△ [要求元ホスト IP アドレス,要求元識別情報] *△オプション△ユニット名

注※

環境設定パラメーター-AJSLOGOUTPUTEXTEND に「yes」を指定している場合に「△ [操作ユーザー種別] △ [要求元ホスト IP アドレス,要求元識別情報]」が出力されます。

出力条件

- 環境設定パラメーター-OPELOG に「all」または「calendar」が指定されている場合だけ出力されます。

- 環境設定パラメーターAJSLOGOUTPUTEXTENDに「yes」が指定され、JP1/AJS3 - Viewによって操作された場合、「カレンダーの変更」ログに対応する「コマンドの該当処理開始」ログには変更内容が出力されません。

出力例

```
C401 Feb 28 10:49:45 jp1admin 0 JP1_DEFAULT ;CALENDAR -F AJSR00T1 mo we /
```

各項目について次の表に示します。

表 C-69 「カレンダーの変更」ログの出力項目（スケジューラーログ）

項目名	内容	長さ（単位：バイト）
ユーザー名	ajscalendar コマンドを実行した JP1 ユーザー名が出力されます。コマンドの実行権限がない JP1 ユーザーで実行しようとした場合は、NULL 文字列が出力されます。	0~20
メッセージ ID	操作結果に対応したメッセージ ID が出力されます。操作が正常に実行された場合は、「0」が出力されます。	1, 10
ホスト名	操作の要求元ホスト名が出力されます。	1~255
操作ユーザー種別	接続したユーザーの種別（ADMIN または USER）が出力されます。 <ul style="list-style-type: none"> • ADMIN Administrators 権限またはスーパーユーザー権限を持つユーザー • USER 一般のユーザー 	4, 5
要求元ホスト IP アドレス	操作の要求元ホストの IP アドレスが出力されます。次に示すプログラムから実行した場合、またはコマンドをリモート実行した場合だけ出力されます。 <ul style="list-style-type: none"> • JP1/AJS3 - View • JP1/AJS3 - Definition Assistant • JP1/AJS3 - Software Development Kit 	IPv4：7~15 IPv6：3~39
要求元識別情報	リモート実行元の製品を識別するための情報が出力されます。JP1/AJS3 - View, JP1/AJS3 - Definition Assistant, JP1/AJS3 - Software Development Kit から実行した場合、またはコマンドをリモート実行した場合だけ出力されます。 <ul style="list-style-type: none"> • JP1/AJS2-View 実行元が JP1/AJS3 - View の場合 • JP1/AJS2-DA(IN=エクスポート元ファイル名, OUT=エクスポート実行結果ファイル名) 実行元が JP1/AJS3 - Definition Assistant の場合 • REMOTE コマンドをリモート実行した場合、またはリモートジョブネットがコマンドを実行した場合 • JP1/AJS3-SDK 実行元が JP1/AJS3 - Software Development Kit の場合 	1~100

項目名	内容	長さ (単位: バイト)
要求元識別情報	長さが 100 バイトを超える場合は、100 バイトまでが出力されません。	1~100
オプション※	<p>ajscalendar コマンド実行時に指定したオプション, または JP1/AJS3 - View の変更内容が出力されます。</p> <p>環境設定パラメーター-AJSLOGOUTPUTEXTEND に「no」が指定されているとき, 変更項目に対応した次の値が出力されます。</p> <ul style="list-style-type: none"> • カレンダーを変更した場合: mo • 週間標準値を変更した場合: we • 基準日を変更した場合: sd • 基準時刻を変更した場合: st <p>環境設定パラメーター-AJSLOGOUTPUTEXTEND に「yes」が指定されているとき, ajscalendar コマンド実行時に指定したオプション, または JP1/AJS3 - View で変更した定義パラメーター名が出力されます。</p> <p>JP1/AJS3 - View の変更時に出力される定義パラメーター名は次のとおりです。</p> <ul style="list-style-type: none"> • 運用日の追加と削除をした場合: op • 休業日の追加と削除をした場合: cl • 基準日を変更した場合: sdd • 月区分を変更した場合: md • 基準時刻を変更した場合: stt 	1~500
ユニット名	ajscalendar コマンド実行時に指定したユニット名が出力されます。	1~930

注※

オプションの値の部分（オプション名と、それに続く半角スペース（△）を除く）が 64 バイトを超える場合、64 バイトまでが出力されます。

また、オプション全体が 500 バイトを超える場合は、500 バイトまでが出力されます。ただし、オプション名の途中で 500 バイトを超える場合、そのオプションは出力されません。

(70) 「ユニットの状態表示」ログの出力形式

「ユニットの状態表示」ログの出力形式を次に示します。

ログ情報にプロセス ID を出力しない場合

C502△日付△時刻△ユーザー名△メッセージ ID△ホスト名△;SHOW△ [操作ユーザー種別] ※△ [要求元ホスト IP アドレス,要求元識別情報] ※△オプション△ユニット名

ログ情報にプロセス ID を出力する場合

C502△日付△時刻△ [プロセス ID] △ユーザー名△メッセージ ID△ホスト名△;SHOW△ [操作ユーザー種別] ※△ [要求元ホスト IP アドレス,要求元識別情報] ※△オプション△ユニット名

注※

環境設定パラメーターAJSLOGOUTPUTEXTENDに「yes」を指定している場合に「△ [操作ユーザー種別] △ [要求元ホスト IP アドレス,要求元識別情報]」が出力されます。

出力条件

環境設定パラメーターREFLOGに「all」または「show」が指定されている場合だけ出力されます。

出力例

C502 Aug 12 09:14:22 jp1admin 0 JP1_DEFAULT ;SHOW -F AJSR00T1 -l -g 1 -X auto /group/*

各項目について次の表に示します。

表 C-70 「ユニットの状態表示」ログの出力項目（スケジューラーログ）

項目名	内容	長さ (単位: バイト)
ユーザー名	ajsshow コマンドを実行した JP1 ユーザー名が出力されます。コマンドの実行権限がない JP1 ユーザーで実行しようとした場合は、NULL 文字列が出力されます。	0~20
メッセージ ID	常に「0」が出力されます。	1
ホスト名	操作の要求元ホスト名が出力されます。	1~255
操作ユーザー種別	接続したユーザーの種別 (ADMIN または USER) が出力されます。 <ul style="list-style-type: none"> ADMIN Administrators 権限またはスーパーユーザー権限を持つユーザー USER 一般のユーザー 	4, 5
要求元ホスト IP アドレス	操作の要求元ホストの IP アドレスが出力されます。 次に示すプログラムから実行した場合、またはコマンドをリモート実行した場合だけ出力されます。 <ul style="list-style-type: none"> JP1/AJS3 - View JP1/AJS3 - Definition Assistant JP1/AJS3 - Software Development Kit 	IPv4: 7~15 IPv6: 3~39
要求元識別情報	リモート実行元の製品を識別するための情報が出力されます。JP1/AJS3 - View, JP1/AJS3 - Definition Assistant, JP1/AJS3 - Software Development Kit から実行した場合、またはコマンドをリモート実行した場合だけ出力されます。 <ul style="list-style-type: none"> JP1/AJS2-View 実行元が JP1/AJS3 - View の場合 JP1/AJS2-DA (IN=エクスポート元ファイル名, OUT=エクスポート実行結果ファイル名) 実行元が JP1/AJS3 - Definition Assistant の場合 REMOTE コマンドをリモート実行した場合、またはリモートジョブネットがコマンドを実行した場合 	1~100

項目名	内容	長さ (単位: バイト)
要求元識別情報	<ul style="list-style-type: none"> JP1/AJS3-SDK 実行元が JP1/AJS3 - Software Development Kit の場合 長さが 100 バイトを超える場合は、100 バイトまでが出力されま ず。	1~100
オプション*	ajsshow コマンド実行時に指定したオプションが出力されます。た だし、-f, -t, -i オプションの指定値は、常に""で出力されます。	1~500
ユニット名	ajsshow コマンド実行時に指定したユニット名が出力されます。	1~930

注※

オプションの値の部分 (オプション名と、それに続く半角スペース (△) を除く) が 64 バイトを超える場合、64 バイトまでが出力されます。

また、オプション全体が 500 バイトを超える場合は、500 バイトまでが出力されます。ただし、オプション名の途中で 500 バイトを超える場合、そのオプションは出力されません。

(71) 「ユニットの定義内容出力」 ログの出力形式

「ユニットの定義内容出力」 ログの出力形式を次に示します。

ログ情報にプロセス ID を出力しない場合

C503△日付△時刻△ユーザー名△メッセージ ID△ホスト名△;PRINT△ [操作ユーザー種別] *△ [要求元ホスト IP アドレス,要求元識別情報] *△オプション△ユニット名

ログ情報にプロセス ID を出力する場合

C503△日付△時刻△ [プロセス ID] △ユーザー名△メッセージ ID△ホスト名△;PRINT△ [操作ユーザー種別] *△ [要求元ホスト IP アドレス,要求元識別情報] *△オプション△ユニット名

注※

環境設定パラメーター AJSLOGOUTPUTEXTEND に「yes」を指定している場合に「△ [操作ユーザー種別] △ [要求元ホスト IP アドレス,要求元識別情報]」が出力されます。

出力条件

環境設定パラメーター REFLOG に「all」または「print」が指定されている場合だけ出力されます。

出力例

```
C503 Aug 12 09:14:22 jp1admin 0 JP1_DEFAULT ;PRINT -F AJSR00T1 -a /group/*
```

各項目について次の表に示します。

表 C-71 「ユニットの定義内容出力」 ログの出力項目（スケジューラーログ）

項目名	内容	長さ（単位：バイト）
ユーザー名	ajsprint コマンドを実行した JP1 ユーザー名が出力されます。コマンドの実行権限がない JP1 ユーザーで実行しようとした場合は、NULL 文字列が出力されます。	0～20
メッセージ ID	常に「0」が出力されます。	1
ホスト名	操作の要求元ホスト名が出力されます。	1～255
操作ユーザー種別	接続したユーザーの種別（ADMIN または USER）が出力されます。 <ul style="list-style-type: none"> • ADMIN Administrators 権限またはスーパーユーザー権限を持つユーザー • USER 一般のユーザー 	4, 5
要求元ホスト IP アドレス	操作の要求元ホストの IP アドレスが出力されます。次に示すプログラムから実行した場合、またはコマンドをリモート実行した場合だけ出力されます。 <ul style="list-style-type: none"> • JP1/AJS3 - View • JP1/AJS3 - Definition Assistant • JP1/AJS3 - Software Development Kit 	IPv4：7～15 IPv6：3～39
要求元識別情報	リモート実行元の製品を識別するための情報が出力されます。JP1/AJS3 - View, JP1/AJS3 - Definition Assistant, JP1/AJS3 - Software Development Kit から実行した場合、またはコマンドをリモート実行した場合だけ出力されます。 <ul style="list-style-type: none"> • JP1/AJS2-View 実行元が JP1/AJS3 - View の場合 • JP1/AJS2-DA(IN=エクスポート元ファイル名, OUT=エクスポート実行結果ファイル名) 実行元が JP1/AJS3 - Definition Assistant の場合 • REMOTE コマンドをリモート実行した場合、またはリモートジョブネットがコマンドを実行した場合 • JP1/AJS3-SDK 実行元が JP1/AJS3 - Software Development Kit の場合 長さが 100 バイトを超える場合は、100 バイトまでが出力されません。	1～100
オプション※	ajsprint コマンド実行時に指定したオプションが出力されます。ただし、-f、-t オプションの指定値は、常に””で出力されます。	1～500
ユニット名	ajsprint コマンド実行時に指定したユニット名が出力されます。	1～930

注※

オプションの値の部分（オプション名と、それに続く半角スペース（△）を除く）が 64 バイトを超える場合、64 バイトまでが出力されます。

また、オプション全体が 500 バイトを超える場合は、500 バイトまでが出力されます。ただし、オプション名の途中で 500 バイトを超える場合、そのオプションは出力されません。

(72) 「ユニットの定義内容退避」 ログの出力形式

「ユニットの定義内容退避」 ログの出力形式を次に示します。

ログ情報にプロセス ID を出力しない場合

C504△日付△時刻△ユーザー名△メッセージ ID△ホスト名△;BACKUP△ [操作ユーザー種別] ※△ [要求元ホスト IP アドレス,要求元識別情報] ※△オプション△ユニット名

ログ情報にプロセス ID を出力する場合

C504△日付△時刻△ [プロセス ID] △ユーザー名△メッセージ ID△ホスト名△;BACKUP△ [操作ユーザー種別] ※△ [要求元ホスト IP アドレス,要求元識別情報] ※△オプション△ユニット名

注※

環境設定パラメーター AJSLOGOUTPUTEXTEND に「yes」を指定している場合に「△ [操作ユーザー種別] △ [要求元ホスト IP アドレス,要求元識別情報]」が出力されます。

出力条件

環境設定パラメーター REFLOG に「all」または「backup」が指定されている場合だけ出力されます。

出力例

```
C504 Aug 12 09:14:22 jp1admin 0 JP1_DEFAULT ;BACKUP -F AJSROOT1 -b c:¥tmp¥backup -e -a -n
BOX /group
```

各項目について次の表に示します。

表 C-72 「ユニットの定義内容退避」 ログの出力項目（スケジューラーログ）

項目名	内容	長さ（単位：バイト）
ユーザー名	ajsbackup コマンドを実行した JP1 ユーザー名が出力されます。コマンドの実行権限がない JP1 ユーザーで実行しようとした場合は、NULL 文字列が出力されます。	0~20
メッセージ ID	常に「0」が出力されます。	1
ホスト名	操作の要求元ホスト名が出力されます。	1~255
操作ユーザー種別	接続したユーザーの種別（ADMIN または USER）が出力されます。 <ul style="list-style-type: none"> ADMIN Administrators 権限またはスーパーユーザー権限を持つユーザー USER 一般のユーザー 	4, 5
要求元ホスト IP アドレス	操作の要求元ホストの IP アドレスが出力されます。 次に示すプログラムから実行した場合、またはコマンドをリモート実行した場合だけ出力されます。	IPv4：7~15 IPv6：3~39

項目名	内容	長さ (単位: バイト)
要求元ホスト IP アドレス	<ul style="list-style-type: none"> JP1/AJS3 - View JP1/AJS3 - Definition Assistant JP1/AJS3 - Software Development Kit 	IPv4: 7~15 IPv6: 3~39
要求元識別情報	<p>リモート実行元の製品を識別するための情報が出力されます。JP1/AJS3 - View, JP1/AJS3 - Definition Assistant, JP1/AJS3 - Software Development Kit から実行した場合、またはコマンドをリモート実行した場合だけ出力されます。</p> <ul style="list-style-type: none"> JP1/AJS2-View 実行元が JP1/AJS3 - View の場合 JP1/AJS2-DA(IN=エクスポート元ファイル名, OUT=エクスポート実行結果ファイル名) 実行元が JP1/AJS3 - Definition Assistant の場合 REMOTE コマンドをリモート実行した場合、またはリモートジョブネットがコマンドを実行した場合 JP1/AJS3-SDK 実行元が JP1/AJS3 - Software Development Kit の場合 <p>長さが 100 バイトを超える場合は、100 バイトまでが出力されません。</p>	1~100
オプション※	ajsbackup コマンド実行時に指定したオプションが出力されます。	1~500
ユニット名	ajsbackup コマンド実行時に指定したユニット名が出力されます。	1~930

注※

オプションの値の部分 (オプション名と、それに続く半角スペース (△) を除く) が 64 バイトを超える場合、64 バイトまでが出力されます。

また、オプション全体が 500 バイトを超える場合は、500 バイトまでが出力されます。ただし、オプション名の途中で 500 バイトを超える場合、そのオプションは出力されません。

(73) 「ルートジョブネットの予定情報出力」 ログの出力形式

「ルートジョブネットの予定情報出力」 ログの出力形式を次に示します。

ログ情報にプロセス ID を出力しない場合

C506△日付△時刻△ユーザー名△メッセージ ID△ホスト名△;SCHEDULE△ [操作ユーザー種別] ※
△オプション△ユニット名

ログ情報にプロセス ID を出力する場合

C506△日付△時刻△ [プロセス ID] △ユーザー名△メッセージ ID△ホスト名△;SCHEDULE△ [操作ユーザー種別] ※△オプション△ユニット名

注※

環境設定パラメーターAJSLOGOUTPUTEXTENDに「yes」を指定している場合に「△ [操作ユーザー種別]」が出力されます。

出力条件

環境設定パラメーターREFLOGに「all」または「schedule」が指定されている場合だけ出力されます。

出力例

```
C506 Aug 12 09:14:22 jp1admin 0 JP1_DEFAULT ;SCHEDULE -F AJSR00T1 -b 2009/8/13 -e
2009/8/13 /group/net
```

各項目について次の表に示します。

表 C-73 「ルートジョブネットの予定情報出力」ログの出力項目（スケジューラーログ）

項目名	内容	長さ（単位：バイト）
ユーザー名	ajsschedule コマンドを実行した JP1 ユーザー名が出力されます。コマンドの実行権限がない JP1 ユーザーで実行しようとした場合は、NULL 文字列が出力されます。	0~20
メッセージ ID	操作結果に対応したメッセージ ID が出力されます。操作が正常に実行された場合は、「0」が出力されます。	1, 10
ホスト名	操作の要求元ホスト名が出力されます。	1~255
操作ユーザー種別	接続したユーザーの種別（ADMIN または USER）が出力されます。 <ul style="list-style-type: none">• ADMIN Administrators 権限またはスーパーユーザー権限を持つユーザー• USER 一般のユーザー	4, 5
オプション※	ajsschedule コマンド実行時に指定したオプションが出力されます。	1~500
ユニット名	ajsschedule コマンド実行時に指定したユニット名が出力されます。	1~930

注※

オプションの値の部分（オプション名と、それに続く半角スペース（△）を除く）が 64 バイトを超える場合、64 バイトまでが出力されます。

また、オプション全体が 500 バイトを超える場合は、500 バイトまでが出力されます。ただし、オプション名の途中で 500 バイトを超える場合、そのオプションは出力されません。

(74) 「ユニットの名称出力」ログの出力形式

「ユニットの名称出力」ログの出力形式を次に示します。

ログ情報にプロセス ID を出力しない場合

C507△日付△時刻△ユーザー名△メッセージ ID△ホスト名△;NAME△ [操作ユーザー種別] ※△オプション△ユニット名

ログ情報にプロセス ID を出力する場合

C507△日付△時刻△ [プロセス ID] △ユーザー名△メッセージ ID△ホスト名△;NAME△ [操作ユーザー種別] ※△オプション△ユニット名

注※

環境設定パラメーターAJSLOGOUTPUTEXTEND に「yes」を指定している場合に「△ [操作ユーザー種別]」が出力されます。

出力条件

環境設定パラメーターREFLOG に「all」または「name」が指定されている場合だけ出力されます。

出力例

```
C507 Aug 12 09:14:22 jp1admin 0 JP1_DEFAULT ;NAME -F AJSR00T1 /group/*
```

各項目について次の表に示します。

表 C-74 「ユニットの名称出力」 ログの出力項目（スケジューラーログ）

項目名	内容	長さ（単位：バイト）
ユーザー名	ajsname コマンドを実行した JP1 ユーザー名が出力されます。コマンドの実行権限がない JP1 ユーザーで実行しようとした場合は、NULL 文字列が出力されます。	0～20
メッセージ ID	常に「0」が出力されます。	1
ホスト名	操作の要求元ホスト名が出力されます。	1～255
操作ユーザー種別	接続したユーザーの種別（ADMIN または USER）が出力されます。 <ul style="list-style-type: none">• ADMIN Administrators 権限またはスーパーユーザー権限を持つユーザー• USER 一般のユーザー	4, 5
オプション※	ajsname コマンド実行時に指定したオプションが出力されます。	1～500
ユニット名	ajsname コマンド実行時に指定したユニット名が出力されます。	1～930

注※

オプションの値の部分（オプション名と、それに続く半角スペース（△）を除く）が 64 バイトを超える場合、64 バイトまでが出力されます。

また、オプション全体が 500 バイトを超える場合は、500 バイトまでが出力されます。ただし、オプション名の途中で 500 バイトを超える場合、そのオプションは出力されません。

(75) 「ユニットの定義内容のエクスポート」 ログの出力形式

「ユニットの定義内容のエクスポート」 ログの出力形式を次に示します。

ログ情報にプロセス ID を出力しない場合

C508△日付△時刻△ユーザー名△メッセージ ID△ホスト名△;EXPORT△ [操作ユーザー種別] ※△
オプション

ログ情報にプロセス ID を出力する場合

C508△日付△時刻△ [プロセス ID] △ユーザー名△メッセージ ID△ホスト名△;EXPORT△ [操作
ユーザー種別] ※△オプション

注※

環境設定パラメーターAJSLOGOUTPUTEXTEND に「yes」を指定している場合に「△ [操作ユーザー種別]」
が出力されます。

出力条件

環境設定パラメーターREFLOG に「all」または「export」が指定されている場合だけ出力されます。

出力例

```
C508 Aug 12 09:14:22 jp1admin 0 JP1_DEFAULT ;EXPORT -o c:¥temp¥file AJSR00T1:/group/net
```

各項目について次の表に示します。

表 C-75 「ユニットの定義内容のエクスポート」 ログの出力項目 (スケジューラーログ)

項目名	内容	長さ (単位: バイト)
ユーザー名	ajsexport コマンドを実行した JP1 ユーザー名が出力されます。コマンドの実行権限がない JP1 ユーザーで実行しようとした場合は、NULL 文字列が出力されます。	0~20
メッセージ ID	操作結果に対応したメッセージ ID が出力されます。操作が正常に実行された場合は、「0」が出力されます。	1, 10
ホスト名	操作の要求元ホスト名が出力されます。	1~255
操作ユーザー種別	接続したユーザーの種別 (ADMIN または USER) が出力されます。 <ul style="list-style-type: none">• ADMIN Administrators 権限またはスーパーユーザー権限を持つユーザー• USER 一般のユーザー	4, 5
オプション※	ajsexport コマンド実行時に指定したオプションが出力されます。	1~500

注※

オプションの値の部分 (オプション名と、それに続く半角スペース (△) を除く) が 64 バイトを超える場合、64 バイトまでが出力されます。

また、オプション全体が 500 バイトを超える場合は、500 バイトまでが出力されます。ただし、オプション名の途中で 500 バイトを超える場合、そのオプションは出力されません。

(76) 「ユニットの状態表示 (異常終了)」 ログの出力形式

「ユニットの状態表示 (異常終了)」 ログの出力形式を次に示します。

ログ情報にプロセス ID を出力しない場合

```
C509△日付△時刻△ユーザー名△メッセージ ID△ホスト名△;SHOW△ [操作ユーザー種別] △ [要求元ホスト IP アドレス,要求元識別情報] △オプション△ユニット名
```

ログ情報にプロセス ID を出力する場合

```
C509△日付△時刻△ [プロセス ID] △ユーザー名△メッセージ ID△ホスト名△;SHOW△ [操作ユーザー種別] △ [要求元ホスト IP アドレス,要求元識別情報] △オプション△ユニット名
```

出力条件

環境設定パラメーター AJSLOGOUTPUTEXTEND に [yes], かつ REFLOG に [all] または [show] が指定されている場合だけ出力されます。

出力例

```
C509 Mar 05 12:18:06 [2688] jp1admin KAVS0161-I JP1_DEFAULT ;SHOW [ADMIN] -F AJSR00T1 -l -g 1 -X auto /net
```

各項目について次の表に示します。

表 C-76 「ユニットの状態表示 (異常終了)」 ログの出力項目 (スケジューラーログ)

項目名	内容	長さ (単位: バイト)
ユーザー名	操作した JP1 ユーザー名 (ajsshow コマンドを実行した JP1 ユーザー名) が出力されます。 認可されていない JP1 ユーザーが実行しようとした場合は NULL 文字列が出力されます。	0~20
メッセージ ID	操作結果に対応したメッセージ ID が出力されます。	10
ホスト名	操作を要求した論理ホスト名が出力されます。	1~255
操作ユーザー種別	接続したユーザーの種別 (ADMIN または USER) が出力されます。 <ul style="list-style-type: none"> ADMIN Administrators 権限またはスーパーユーザー権限を持つユーザー USER 一般のユーザー 	4, 5
要求元ホスト IP アドレス	操作の要求元ホストの IP アドレスが出力されます。 次に示すプログラムから実行した場合、またはコマンドをリモート実行した場合だけ出力されます。 <ul style="list-style-type: none"> JP1/AJS3 - View JP1/AJS3 - Definition Assistant 	IPv4: 7~15 IPv6: 3~39

項目名	内容	長さ (単位: バイト)
要求元ホスト IP アドレス	<ul style="list-style-type: none"> JP1/AJS3 - Software Development Kit 	IPv4: 7~15 IPv6: 3~39
要求元識別情報	<p>リモート実行元の製品を識別するための情報が出力されます。JP1/AJS3 - View, JP1/AJS3 - Definition Assistant, JP1/AJS3 - Software Development Kit から実行した場合、またはコマンドをリモート実行した場合だけ出力されます。</p> <ul style="list-style-type: none"> JP1/AJS2-View 実行元が JP1/AJS3 - View の場合 JP1/AJS2-DA(IN=エクスポート元ファイル名, OUT=エクスポート実行結果ファイル名) 実行元が JP1/AJS3 - Definition Assistant の場合 REMOTE コマンドをリモート実行した場合、またはリモートジョブネットがコマンドを実行した場合 JP1/AJS3-SDK 実行元が JP1/AJS3 - Software Development Kit の場合 <p>長さが 100 バイトを超える場合は、100 バイトまでが出力されません。</p>	1~100
オプション※	ajsshow コマンドに指定したオプションが出力されます。ただし、-f, -t, および-i オプションの指定値は、常に「”」で出力されます。	1~500
ユニット名	ajsshow コマンドに指定したユニット名が出力されます。	1~930

注※

オプションの値の部分（オプション名と、それに続く半角スペース（△）を除く）が 64 バイトを超える場合、64 バイトまでが出力されます。

また、オプション全体が 500 バイトを超える場合は、500 バイトまでが出力されます。ただし、オプション名の途中で 500 バイトを超える場合、そのオプションは出力されません。

(77) 「ユニットの定義内容出力（異常終了）」ログの出力形式

「ユニットの定義内容出力（異常終了）」ログの出力形式を次に示します。

ログ情報にプロセス ID を出力しない場合

C510△日付△時刻△ユーザー名△メッセージ ID△ホスト名△;PRINT△ [操作ユーザー種別] △ [要求元ホスト IP アドレス,要求元識別情報] △オプション△ユニット名

ログ情報にプロセス ID を出力する場合

C510△日付△時刻△ [プロセス ID] △ユーザー名△メッセージ ID△ホスト名△;PRINT△ [操作ユーザー種別] △ [要求元ホスト IP アドレス,要求元識別情報] △オプション△ユニット名

出力条件

環境設定パラメーターAJSLOGOUTPUTEXTENDに「yes」、かつREFLOGに「all」または「print」が指定されている場合だけ出力されます。

出力例

```
C510 Mar 05 12:20:56 [2552] jp1admin KAVS0161-I JP1_DEFAULT ;PRINT [ADMIN] -F AJSR00T1 -
a /net
```

各項目について次の表に示します。

表 C-77 「ユニットの定義内容出力 (異常終了)」 ログの出力項目 (スケジューラーログ)

項目名	内容	長さ (単位: バイト)
ユーザー名	操作した JP1 ユーザー名 (ajsprint コマンドを実行した JP1 ユーザー名) が出力されます。 認可されていない JP1 ユーザーが実行しようとした場合は NULL 文字列が出力されます。	0~20
メッセージ ID	操作結果に対応したメッセージ ID が出力されます。	10
ホスト名	操作を要求した論理ホスト名が出力されます。	1~255
操作ユーザー種別	接続したユーザーの種別 (ADMIN または USER) が出力されます。 <ul style="list-style-type: none">• ADMIN Administrators 権限またはスーパーユーザー権限を持つユーザー• USER 一般のユーザー	4, 5
要求元ホスト IP アドレス	操作の要求元ホストの IP アドレスが出力されます。 次に示すプログラムから実行した場合、またはコマンドをリモート実行した場合だけ出力されます。 <ul style="list-style-type: none">• JP1/AJS3 - View• JP1/AJS3 - Definition Assistant• JP1/AJS3 - Software Development Kit	IPv4 : 7~15 IPv6 : 3~39
要求元識別情報	リモート実行元の製品を識別するための情報が出力されます。JP1/AJS3 - View, JP1/AJS3 - Definition Assistant, JP1/AJS3 - Software Development Kit から実行した場合、またはコマンドをリモート実行した場合だけ出力されます。 <ul style="list-style-type: none">• JP1/AJS2-View 実行元が JP1/AJS3 - View の場合• JP1/AJS2-DA(IN=エクスポート元ファイル名, OUT=エクスポート実行結果ファイル名) 実行元が JP1/AJS3 - Definition Assistant の場合• REMOTE コマンドをリモート実行した場合、またはリモートジョブネットがコマンドを実行した場合• JP1/AJS3-SDK	1~100

項目名	内容	長さ (単位: バイト)
要求元識別情報	実行元が JP1/AJS3 - Software Development Kit の場合 長さが 100 バイトを超える場合は、100 バイトまでが出力されま す。	1~100
オプション※	ajsprint コマンドに指定したオプションが出力されます。ただ し、-f および-t オプションの指定値は、常に「”」で出力されま す。	1~500
ユニット名	ajsprint コマンドに指定したユニット名が出力されます。	1~930

注※

オプションの値の部分（オプション名と、それに続く半角スペース（△）を除く）が 64 バイトを超え
る場合、64 バイトまでが出力されます。

また、オプション全体が 500 バイトを超える場合は、500 バイトまでが出力されます。ただし、オプ
ション名の途中で 500 バイトを超える場合、そのオプションは出力されません。

(78) 「ユニットの定義内容の退避（異常終了）」ログの出力形式

「ユニットの定義内容の退避（異常終了）」ログの出力形式を次に示します。

ログ情報にプロセス ID を出力しない場合

C511△日付△時刻△ユーザー名△メッセージ ID△ホスト名△;BACKUP△ [操作ユーザー種別] △ [要
求元ホスト IP アドレス,要求元識別情報] △オプション△ユニット名

ログ情報にプロセス ID を出力する場合

C511△日付△時刻△ [プロセス ID] △ユーザー名△メッセージ ID△ホスト名△;BACKUP△ [操作
ユーザー種別] △ [要求元ホスト IP アドレス,要求元識別情報] △オプション△ユニット名

出力条件

環境設定パラメーター AJSLOGOUTPUTEXTEND に [yes], かつ REFLOG に [all] または [backup] が指定さ
れている場合だけ出力されます。

出力例

```
C511 Mar 05 12:21:49 [1196] jp1admin KAVS0161-I JP1_DEFAULT ;BACKUP [ADMIN] -F AJSROOT1 -e  
-m -n box1 /net
```

各項目について次の表に示します。

表 C-78 「ユニットの定義内容の退避（異常終了）」ログの出力項目（スケジューラーログ）

項目名	内容	長さ (単位: バイト)
ユーザー名	操作した JP1 ユーザー名 (ajsbackup コマンドを実行した JP1 ユー ザー名) が出力されます。 認可されていない JP1 ユーザーが実行しようとした場合は NULL 文字列が出力されます。	0~20

項目名	内容	長さ (単位: バイト)
メッセージ ID	操作結果に対応したメッセージ ID が出力されます。	10
ホスト名	操作を要求した論理ホスト名が出力されます。	1~255
操作ユーザー種別	接続したユーザーの種別 (ADMIN または USER) が出力されます。 <ul style="list-style-type: none"> ADMIN Administrators 権限またはスーパーユーザー権限を持つユーザー USER 一般のユーザー 	4, 5
要求元ホスト IP アドレス	操作の要求元ホストの IP アドレスが出力されます。 次に示すプログラムから実行した場合、またはコマンドをリモート実行した場合だけ出力されます。 <ul style="list-style-type: none"> JP1/AJS3 - View JP1/AJS3 - Definition Assistant JP1/AJS3 - Software Development Kit 	IPv4: 7~15 IPv6: 3~39
要求元識別情報	リモート実行元の製品を識別するための情報が出力されます。JP1/AJS3 - View, JP1/AJS3 - Definition Assistant, JP1/AJS3 - Software Development Kit から実行した場合、またはコマンドをリモート実行した場合だけ出力されます。 <ul style="list-style-type: none"> JP1/AJS2-View 実行元が JP1/AJS3 - View の場合 JP1/AJS2-DA (IN=エクスポート元ファイル名, OUT=エクスポート実行結果ファイル名) 実行元が JP1/AJS3 - Definition Assistant の場合 REMOTE コマンドをリモート実行した場合、またはリモートジョブネットがコマンドを実行した場合 JP1/AJS3-SDK 実行元が JP1/AJS3 - Software Development Kit の場合 長さ 100 バイトを超える場合は、100 バイトまでが出力されません。	1~100
オプション※	ajsbackup コマンドに指定したオプションが出力されます。	1~500
ユニット名	ajsbackup コマンドに指定したユニット名が出力されます。	1~930

注※

オプションの値の部分 (オプション名と、それに続く半角スペース (△) を除く) が 64 バイトを超える場合、64 バイトまでが出力されます。

また、オプション全体が 500 バイトを超える場合は、500 バイトまでが出力されます。ただし、オプション名の途中で 500 バイトを超える場合、そのオプションは出力されません。

(79) 「ユニット名称の出力 (異常終了)」 ログの出力形式

「ユニット名称の出力 (異常終了)」 ログの出力形式を次に示します。

ログ情報にプロセス ID を出力しない場合

```
C512△日付△時刻△ユーザー名△メッセージ ID△ホスト名△;NAME△ [操作ユーザー種別] △オプション△ユニット名
```

ログ情報にプロセス ID を出力する場合

```
C512△日付△時刻△ [プロセス ID] △ユーザー名△メッセージ ID△ホスト名△;NAME△ [操作ユーザー種別] △オプション△ユニット名
```

出力条件

環境設定パラメーターAJSLOGOUTPUTEXTENDに「yes」、かつREFLOGに「all」または「name」が指定されている場合だけ出力されます。

出力例

```
C512 Mar 05 12:22:13 [2540] jp1admin KAVS0161-I JP1_DEFAULT ;NAME [ADMIN] -F AJSR00T1 /net
```

各項目について次の表に示します。

表 C-79 「ユニット名称の出力 (異常終了)」 ログの出力項目 (スケジューラーログ)

項目名	内容	長さ (単位: バイト)
ユーザー名	操作した JP1 ユーザー名 (ajsname コマンドを実行した JP1 ユーザー名) が出力されます。 認可されていない JP1 ユーザーが実行しようとした場合は NULL 文字列が出力されます。	0~20
メッセージ ID	操作結果に対応したメッセージ ID が出力されます。	10
ホスト名	操作を要求した論理ホスト名が出力されます。	1~255
操作ユーザー種別	接続したユーザーの種別 (ADMIN または USER) が出力されます。 <ul style="list-style-type: none">• ADMIN Administrators 権限またはスーパーユーザー権限を持つユーザー• USER 一般のユーザー	4, 5
オプション※	ajsname コマンドに指定したオプションが出力されます。	1~500
ユニット名	ajsname コマンドに指定したユニット名が出力されます。	1~930

注※

オプションの値の部分 (オプション名と、それに続く半角スペース (△) を除く) が 64 バイトを超える場合、64 バイトまでが出力されます。

また、オプション全体が 500 バイトを超える場合は、500 バイトまでが出力されます。ただし、オプション名の途中で 500 バイトを超える場合、そのオプションは出力されません。

(80) 「登録予定情報のエクスポート」 ログの出力形式

「登録予定情報のエクスポート」 ログの出力形式を次に示します。

ログ情報にプロセス ID を出力しない場合

C513△日付△時刻△ユーザー名△メッセージ ID△ホスト名△;RGEXP△ [操作ユーザー種別] ※△オプション△ユニット名

ログ情報にプロセス ID を出力する場合

C513△日付△時刻△ [プロセス ID] △ユーザー名△メッセージ ID△ホスト名△;RGEXP△ [操作ユーザー種別] ※△オプション△ユニット名

注※

環境設定パラメーターAJSLOGOUTPUTEXTEND に「yes」を指定している場合に「△ [操作ユーザー種別]」が出力されます。

出力条件

環境設定パラメーターREFLOG に「all」または「rgexport」が指定されている場合だけ出力されます。

出力例

```
C513 Mar 06 19:14:15 jp1admin 0 JP1_DEFAULT ;RGEXP -F AJSR00T1 -e f /group/*
```

各項目について次の表に示します。

表 C-80 「登録予定情報のエクスポート」 ログの出力項目 (スケジューラーログ)

項目名	内容	長さ (単位: バイト)
ユーザー名	ajsrlexport コマンドを実行した JP1 ユーザー名が出力されます。コマンドの実行権限がない JP1 ユーザーで実行しようとした場合は、NULL 文字列が出力されます。	0~20
メッセージ ID	操作結果に対応したメッセージ ID が出力されます。操作が正常に実行された場合は、「0」が出力されます。	1
ホスト名	操作の要求元ホスト名が出力されます。	1~255
操作ユーザー種別	接続したユーザーの種別 (ADMIN または USER) が出力されます。 <ul style="list-style-type: none">• ADMIN Administrators 権限またはスーパーユーザー権限を持つユーザー• USER 一般のユーザー	4, 5
オプション※	ajsrlexport コマンド実行時に指定したオプションが出力されます。	1~500
ユニット名	ajsrlexport コマンド実行時に指定したユニット名が出力されます。	1~930

注※

オプションの値の部分（オプション名と、それに続く半角スペース（△）を除く）が64バイトを超える場合、64バイトまでが出力されます。

また、オプション全体が500バイトを超える場合は、500バイトまでが出力されます。ただし、オプション名の途中で500バイトを超える場合、そのオプションは出力されません。

(81) 「登録予定情報のエクスポートによるジョブネットの情報出力」ログの出力形式

「登録予定情報のエクスポートによるジョブネットの情報出力」ログの出力形式を次に示します。

ログ情報にプロセス ID を出力しない場合

C514△日付△時刻△ユーザー名△メッセージ ID△ホスト名△;RGEXP△ [操作ユーザー種別] ※△オプション△ユニット名

ログ情報にプロセス ID を出力する場合

C514△日付△時刻△ [プロセス ID] △ユーザー名△メッセージ ID△ホスト名△;RGEXP△ [操作ユーザー種別] ※△オプション△ユニット名

注※

環境設定パラメーターAJSLOGOUTPUTEXTEND に「yes」を指定している場合に「△ [操作ユーザー種別]」が出力されます。

出力条件

環境設定パラメーターREFLOG に「all」または「rgexport」が指定されている場合だけ出力されます。

出力例

```
C514 Mar 06 19:14:15 jp1admin 0 JP1_DEFAULT ;RGEXP -F AJSR00T1 -e f /group/rootnet1
```

各項目について次の表に示します。

表 C-81 「登録予定情報のエクスポートによるジョブネットの情報出力」ログの出力項目（スケジューラーログ）

項目名	内容	長さ（単位：バイト）
ユーザー名	ajsrlexport コマンドを実行した JP1 ユーザー名が出力されます。コマンドの実行権限がない JP1 ユーザーで実行しようとした場合は、NULL 文字列が出力されます。	0~20
メッセージ ID	操作結果に対応したメッセージ ID が出力されます。操作が正常に実行された場合は、「0」が出力されます。	1
ホスト名	操作の要求元ホスト名が出力されます。	1~255
操作ユーザー種別	接続したユーザーの種別（ADMIN または USER）が出力されます。 <ul style="list-style-type: none">• ADMIN	4, 5

項目名	内容	長さ (単位: バイト)
操作ユーザー種別	Administrators 権限またはスーパーユーザー権限を持つユーザー <ul style="list-style-type: none"> • USER 一般のユーザー 	4, 5
オプション※	ajsrgexport コマンド実行時に指定したオプションが出力されます。	1~500
ユニット名	ajsrgexport コマンドで情報を出力したジョブネット名が出力されます。	1~930

注※

オプションの値の部分 (オプション名と、それに続く半角スペース (△) を除く) が 64 バイトを超える場合、64 バイトまでが出力されます。

また、オプション全体が 500 バイトを超える場合は、500 バイトまでが出力されます。ただし、オプション名の途中で 500 バイトを超える場合、そのオプションは出力されません。

(82) 「ジョブネットリリース情報の参照」 ログの出力形式

「ジョブネットリリース情報の参照」 ログの出力形式を次に示します。

ログ情報にプロセス ID を出力しない場合

C515△日付△時刻△ユーザー名△メッセージ ID△ホスト名△;RELEASEREF△ [操作ユーザー種別]
 ※△オプション△ユニット名

ログ情報にプロセス ID を出力する場合

C515△日付△時刻△ [プロセス ID] △ユーザー名△メッセージ ID△ホスト名△;RELEASEREF△ [操作ユーザー種別] ※△オプション△ユニット名

注※

環境設定パラメーターAJSLOGOUTPUTEXTEND に「yes」を指定している場合に「△ [操作ユーザー種別]」が出力されます。

出力条件

環境設定パラメーターREFLOG に「all」または「release」が指定されている場合だけ出力されます。

出力例

```
C515 Mar 06 19:14:15 jp1admin 0 JP1_DEFAULT ;RELEASEREF -F AJSR00T1 -i /group/releasenet
```

各項目について次の表に示します。

表 C-82 「ジョブネットリリース情報の参照」 ログの出力項目 (スケジューラーログ)

項目名	内容	長さ (単位: バイト)
ユーザー名	ajsrelease コマンドを実行した JP1 ユーザー名が出力されます。コマンドの実行権限がない JP1 ユーザーで実行しようとした場合は、NULL 文字列が出力されます。	0~20

項目名	内容	長さ (単位: バイト)
メッセージ ID	操作結果に対応したメッセージ ID が出力されます。操作が正常に実行された場合は、「0」が出力されます。	1, 10
ホスト名	操作の要求元ホスト名が出力されます。	1~255
操作ユーザー種別	接続したユーザーの種別 (ADMIN または USER) が出力されます。 <ul style="list-style-type: none"> • ADMIN Administrators 権限またはスーパーユーザー権限を持つユーザー • USER 一般のユーザー 	4, 5
オプション※	ajsrelease コマンドでリリース情報を出力したときのオプションが出力されます。	1~500
ユニット名	ajsrelease コマンド実行時に指定したユニット名が出力されます。	1~930

注※

オプションの値の部分 (オプション名と、それに続く半角スペース (△) を除く) が 64 バイトを超える場合、64 バイトまでが出力されます。

また、オプション全体が 500 バイトを超える場合は、500 バイトまでが出力されます。ただし、オプション名の途中で 500 バイトを超える場合、そのオプションは出力されません。

(83) 「カレンダー計算」ログの出力形式

「カレンダー計算」ログの出力形式を次に示します。

ログ情報にプロセス ID を出力しない場合

```
C516△日付△時刻△ユーザー名△メッセージ ID△ホスト名△;CALUTIL△ [操作ユーザー種別] ※△オプション
```

ログ情報にプロセス ID を出力する場合

```
C516△日付△時刻△ [プロセス ID] △ユーザー名△メッセージ ID△ホスト名△;CALUTIL△ [操作ユーザー種別] ※△オプション
```

注※

環境設定パラメーター AJSLOGOUTPUTEXTEND に「yes」を指定している場合に「△ [操作ユーザー種別]」が出力されます。

出力条件

環境設定パラメーター REFLOG に「all」または「calutil」が指定されている場合だけ出力されます。

出力例

```
C516 Apr 15 15:32:49 jp1admin 0 JP1_DEFAULT ;CALUTIL -F AJSR00T1 -b 2016/5/1 -e 2016/5/31 -o -g /CAL/CAL1 -g /CAL/CAL2
```

各項目について次の表に示します。

表 C-83 「カレンダー計算」 ログの出力項目（スケジューラーログ）

項目名	内容	長さ（単位：バイト）
ユーザー名	ajscalutil コマンドを実行した JP1 ユーザー名が出力されます。コマンドの実行権限がない JP1 ユーザーで実行しようとした場合は、NULL 文字列が出力されます。	0~20
メッセージ ID	操作結果に対応したメッセージ ID が出力されます。操作が正常に実行された場合は、「0」が出力されます。	1, 10
ホスト名	操作の要求元ホスト名が出力されます。	1~255
操作ユーザー種別	接続したユーザーの種別（ADMIN または USER）が出力されます。 <ul style="list-style-type: none"> • ADMIN Administrators 権限またはスーパーユーザー権限を持つユーザー • USER 一般のユーザー 	4, 5
オプション※	ajscalutil コマンド実行時に指定したオプションが出力されます。	1~1110

注※

オプションの値の部分（オプション名と、それに続く半角スペース（△）を除く）が 128 バイトを超える場合、末尾から 128 バイト分が出力されます。

(84) 「コマンドの該当処理開始」 ログの出力形式

「コマンドの該当処理開始」 ログの出力形式を次に示します。

ログ情報にプロセス ID を出力しない場合

I001△日付△時刻△ユーザー名△メッセージ ID△ホスト名△;START△コマンド名△ [操作ユーザー種別] ※△ [要求元ホスト IP アドレス,要求元識別情報] ※△オプション△ユニット名

ログ情報にプロセス ID を出力する場合

I001△日付△時刻△ [プロセス ID] △ユーザー名△メッセージ ID△ホスト名△;START△コマンド名△ [操作ユーザー種別] ※△ [要求元ホスト IP アドレス,要求元識別情報] ※△オプション△ユニット名

注※

環境設定パラメーター AJSLOGOUTPUTEXTEND に「yes」を指定している場合に「△ [操作ユーザー種別] △ [要求元ホスト IP アドレス,要求元識別情報]」が出力されます。

出力例

```
I001 Aug 12 09:14:22 jp1admin - JP1_DEFAULT ;START ENTRY -F AJSROOT1 -n /group/net
```

各項目について次の表に示します。

表 C-84 「コマンドの該当処理開始」 ログの出力項目（スケジューラーログ）

項目名	内容	長さ（単位：バイト）
ユーザー名	コマンドを実行した JP1 ユーザー名が出力されます。コマンドの実行権限がない JP1 ユーザーで実行しようとした場合は、NULL 文字列が出力されます。	0～20
メッセージ ID	常にハイフン (-) が出力されます。	1
ホスト名	操作の要求元ホスト名が出力されます。	1～255
コマンド名	コマンド名が大文字の英字で出力されます。 (例) ajsentry コマンドの場合、先頭の「ajs」が除かれ、「ENTRY」といった大文字の英字で出力されます。	7～11
操作ユーザー種別	接続したユーザーの種別（ADMIN または USER）が出力されます。 <ul style="list-style-type: none"> ADMIN Administrators 権限またはスーパーユーザー権限を持つユーザー USER 一般のユーザー 	4, 5
要求元ホスト IP アドレス	操作の要求元ホストの IP アドレスが出力されます。 次に示すプログラムから実行した場合、またはコマンドをリモート実行した場合だけ出力されます。 <ul style="list-style-type: none"> JP1/AJS3 - View JP1/AJS3 - Web Console JP1/AJS3 - Definition Assistant JP1/AJS3 - Software Development Kit 	IPv4：7～15 IPv6：3～39
要求元識別情報	リモート実行元の製品を識別するための情報が出力されます。JP1/AJS3 - View, JP1/AJS3 - Web Console, JP1/AJS3 - Definition Assistant, JP1/AJS3 - Software Development Kit から実行した場合、またはコマンドをリモート実行した場合だけ出力されます。 <ul style="list-style-type: none"> JP1/AJS2-View 実行元が JP1/AJS3 - View の場合 JP1/AJS3-WEB 実行元が JP1/AJS3 - Web Console の場合 JP1/AJS2-DA(IN=エクスポート元ファイル名, OUT=エクスポート実行結果ファイル名) 実行元が JP1/AJS3 - Definition Assistant の場合 REMOTE コマンドをリモート実行した場合、またはリモートジョブネットがコマンドを実行した場合 JP1/AJS3-SDK 実行元が JP1/AJS3 - Software Development Kit の場合 	1～100

項目名	内容	長さ (単位: バイト)
要求元識別情報	長さが 100 バイトを超える場合は、100 バイトまでが出力されません。	1~100
オプション	コマンド実行時に指定したオプションが出力されます。	1~500
ユニット名	実行したコマンドに指定したユニット名が出力されます。	1~930

注

コマンドの該当処理開始履歴は、コマンドのオプションに指定した値に誤りがあってエラーになる場合や、存在しないユニットを指定した場合などでは、出力されない場合があります。JP1/AJS3 - View からの操作で、定義更新前にエラーが発生した場合や、定義に変更がない場合など、出力されない場合があります。

(85) 「コマンドからスケジューラーサービスへの処理要求開始」 ログの出力形式

「コマンドからスケジューラーサービスへの処理要求開始」 ログの出力形式を次に示します。

ログ情報にプロセス ID を出力しない場合

I002△日付△時刻△ユーザー名△メッセージ ID△ホスト名△;REQUEST△コマンド名△ [操作ユーザー種別] *△ [要求元ホスト IP アドレス,要求元識別情報] *△オプション△ユニット名

ログ情報にプロセス ID を出力する場合

I002△日付△時刻△ [プロセス ID] △ユーザー名△メッセージ ID△ホスト名△;REQUEST△コマンド名△ [操作ユーザー種別] *△ [要求元ホスト IP アドレス,要求元識別情報] *△オプション△ユニット名

注※

環境設定パラメーターAJSLOGOUTPUTEXTEND に「yes」を指定している場合に「△ [操作ユーザー種別] △ [要求元ホスト IP アドレス,要求元識別情報]」が出力されます。

出力例

```
I002 Aug 12 09:14:22 jp1admin - JP1_DEFAULT ;REQUEST ENTRY -F AJSR00T1 -n /group/net
```

各項目について次の表に示します。

表 C-85 「コマンドからスケジューラーサービスへの処理要求開始」 ログの出力項目 (スケジューラーログ)

項目名	内容	長さ (単位: バイト)
ユーザー名	コマンドを実行した JP1 ユーザー名が出力されます。コマンドの実行権限がない JP1 ユーザーで実行しようとした場合は、NULL 文字列が出力されます。	0~20
メッセージ ID	常にハイフン (-) が出力されます。	1

項目名	内容	長さ (単位: バイト)
ホスト名	操作の要求元ホスト名が出力されます。	1~255
コマンド名	コマンド名が大文字の英字で出力されます。 (例) ajsentry コマンドの場合、先頭の「ajs」が除かれ、「ENTRY」といった大文字の英字で出力されます。	7~11
操作ユーザー種別	接続したユーザーの種別 (ADMIN または USER) が出力されます。 <ul style="list-style-type: none"> • ADMIN Administrators 権限またはスーパーユーザー権限を持つユーザー • USER 一般のユーザー 	4, 5
要求元ホスト IP アドレス	操作の要求元ホストの IP アドレスが出力されます。 次に示すプログラムから実行した場合、またはコマンドをリモート実行した場合だけ出力されます。 <ul style="list-style-type: none"> • JP1/AJS3 - View • JP1/AJS3 - Web Console • JP1/AJS3 - Definition Assistant • JP1/AJS3 - Software Development Kit 	IPv4 : 7~15 IPv6 : 3~39
要求元識別情報	リモート実行元の製品を識別するための情報が出力されます。JP1/AJS3 - View, JP1/AJS3 - Web Console, JP1/AJS3 - Definition Assistant, JP1/AJS3 - Software Development Kit から実行した場合、またはコマンドをリモート実行した場合だけ出力されます。 <ul style="list-style-type: none"> • JP1/AJS2-View 実行元が JP1/AJS3 - View の場合 • JP1/AJS3-WEB 実行元が JP1/AJS3 - Web Console の場合 • JP1/AJS2-DA(IN=エクスポート元ファイル名, OUT=エクスポート実行結果ファイル名) 実行元が JP1/AJS3 - Definition Assistant の場合 • REMOTE コマンドをリモート実行した場合、またはリモートジョブネットがコマンドを実行した場合 • JP1/AJS3-SDK 実行元が JP1/AJS3 - Software Development Kit の場合 長さ が 100 バイトを超える場合は、100 バイトまでが出力されません。	1~100
オプション	実行したコマンドに指定したオプションが出力されます。	1~500
ユニット名	実行したコマンドに指定したユニット名が出力されます。	1~930

注

コマンドからのスケジューラーサービスへの処理要求開始履歴は、スケジューラーサービスへの処理要求前にエラーが発生した場合（コマンドのオプションに指定した値に誤りがあるエラーになる場合や、存在しないユニットを指定した場合など）には、出力されません。

なお、次の場合は、1回の実行で2回分のログが出力されます。

- ajssuspend コマンドに-C オプションを指定
- ajsrelease コマンドに-a オプションまたは-c オプションを指定

付録 C.2 キューレスエージェントサービスが出力するログ

JP1/AJS3 のキューレスログファイル中に出力されるログの一覧を次の表に示します。

表 C-86 キューレスエージェントサービスのログ一覧

ログ種別	ログ名称	対応するメッセージの ID	対応する JP1 イベント	コマンド名	JP1/AJS3 - View からの操作	API
A101	キューレスエージェントサービス開始	KAVS1801-I	なし	—	—	—
A102	キューレスエージェントサービス停止	KAVS1802-I	なし	—	—	—
C901	コマンド要求受付	なし	なし	—	—	—
J101	キューレスジョブ開始	KAVS0251-I	なし	—	—	—
J102	キューレスジョブ正常終了	KAVS0252-I	なし	—	—	—
J103	キューレスジョブ異常終了	KAVS0253-E	なし	—	—	—
J104	キューレスジョブ警告終了	KAVS0254-W	なし	—	—	—
J106	サブミット要求受付	KAVS1984-I	なし	—	—	—

(凡例)

—：該当なし

各ログ情報の出力形式と出力項目について次に説明します。各ログ情報で、共通の出力形式については、「付録 C.1(1) ログの共通の出力形式」を参照してください。

なお、出力形式中の「△」は 1 バイトの空白を示しています。

(1) 「キューレスエージェントサービス開始」 ログの出力形式

「キューレスエージェントサービス開始」 ログの出力形式を次に示します。

A101△日付△時刻△KAVS1801-I△ホスト名

出力例

```
A101 Jul 28 12:30:59 KAVS1801-I hostA
```

各項目について次の表に示します。

表 C-87 「キューレスエージェントサービス開始」 ログの出力項目 (キューレスログ)

項目名	内容	長さ (単位: バイト)
ホスト名	キューレスエージェントサービスが起動されたホスト名が出力されます。	1~255

(2) 「キューレスエージェントサービス停止」 ログの出力形式

「キューレスエージェントサービス停止」 ログの出力形式を次に示します。

A102△日付△時刻△KAVS1802-I△ホスト名

出力例

```
A102 Jul 28 12:30:06 KAVS1802-I hostA
```

各項目について次の表に示します。

表 C-88 「キューレスエージェントサービス停止」 ログの出力項目 (キューレスログ)

項目名	内容	長さ (単位: バイト)
ホスト名	キューレスエージェントサービスが停止されたホスト名が出力されます。	1~255

(3) 「コマンド要求受付」 ログの出力形式

「コマンド要求受付」 ログの出力形式を次に示します。

(a) ajsqlalter

C901△日付△時刻△ajsqlalter△最大同時ジョブ実行数△最大待ちジョブ数△ユーザーマッピングキャッシュ消去オプション△クラス名△論理ホスト名

(b) ajsqlattach

C901△日付△時刻△ajsqlattach△論理ホスト名

(c) ajsqldetach

C901 △日付△時刻△ajsqldetach△論理ホスト名△強制終了指定

(d) ajsqlstop

C901 △日付△時刻△ajsqlstop△終了モード

出力例

ajsqlalter

```
C901 Jul 28 12:07:41 ajsqlalter -1 -1 0
```

ajsqlattach

```
C901 Jul 25 18:08:46 ajsqlattach
```

ajsqldetach

```
C901 Jul 25 18:08:08 ajsqldetach 0
```

ajsqlstop

```
C901 Jul 25 18:06:14 ajsqlstop 0
```

各項目について次の表に示します。

表 C-89 「コマンド要求受付」 ログの出力項目（キューレスログ）

項目名	内容	長さ（単位：バイト）
論理ホスト名	-h で指定された論理ホスト名が出力されます。指定がない場合は出力されません。	0～255
最大同時ジョブ実行数	変更する最大同時ジョブ実行数が 10 進数で出力されます。指定がない場合は-1 と出力されます。	1～4
最大待ちジョブ数	変更する最大待ちジョブ数が 10 進数で出力されます。指定がない場合は-1 と出力されます。	1～6
ユーザーマッピング キャッシュ消去オプション	「0」または「1」が出力されます。 0：指定なし。 1：指定あり。	1
クラス名	変更対象のクラス名が出力されます。指定がない場合は出力されません。	0～63
強制終了指定	「0」または「1」が出力されます。 0：指定なし。 1：指定あり。	1
終了モード	「0」または「1」が出力されます。 0：ジョブの終了を待つ。 1：ジョブの終了を待たない。	1

(4) 「キューレスジョブ開始」 ログの出力形式

「キューレスジョブ開始」 ログの出力形式を次に示します。

J101△日付△時刻△KAVS0251-I△マネージャーホスト名△スケジューラーサービス名：ジョブ名：実行ID△エージェントホスト名

出力例

```
J101 Feb 28 17:14:01 KAVS0251-I hostA AJSR00T1:/group/net1/job1:@A100 hostB
```

各項目について次の表に示します。

表 C-90 「キューレスジョブ開始」 ログの出力項目（キューレスログ）

項目名	内容	長さ（単位：バイト）
マネージャーホスト名	キューレスジョブの実行を依頼したマネージャーホスト名が出力されます。	1～255
ジョブ名	実行が開始されたキューレスジョブ名が「スケジューラーサービス名：ジョブ名：実行ID」の形式で出力されます。	1～969
エージェントホスト名	キューレスジョブの実行先エージェントホスト名が出力されます。	1～255

(5) 「キューレスジョブ正常終了」 ログの出力形式

「キューレスジョブ正常終了」 ログの出力形式を次に示します。

J102△日付△時刻△KAVS0252-I△マネージャーホスト名△スケジューラーサービス名：ジョブ名：実行ID△エージェントホスト名△戻り値

出力例

```
J102 Feb 28 17:14:01 KAVS0252-I hostA AJSR00T1:/group/net1/job1:@A100 hostB 0
```

各項目について次の表に示します。

表 C-91 「キューレスジョブ正常終了」 ログの出力項目（キューレスログ）

項目名	内容	長さ（単位：バイト）
マネージャーホスト名	キューレスジョブの実行を依頼したマネージャーホスト名が出力されます。	1～255
ジョブ名	正常終了したキューレスジョブ名が「スケジューラーサービス名：ジョブ名：実行ID」の形式で出力されます。	1～969
エージェントホスト名	正常終了したキューレスジョブの実行先エージェントホスト名が出力されます。	1～255
戻り値	正常終了したキューレスジョブの戻り値が 10 進数で出力されます。	1～10

(6) 「キューレスジョブ異常終了」 ログの出力形式

「キューレスジョブ異常終了」 ログの出力形式を次に示します。

J103△日付△時刻△KAVS0253-E△マネージャーホスト名△スケジューラーサービス名：ジョブ名：実行 ID△エージェントホスト名△終了状態△戻り値

出力例

```
J103 Feb 28 17:14:01 KAVS0253-E hostA AJSR00T1:/group/net1/job1:@A100 hostB a 0
```

各項目について次の表に示します。

表 C-92 「キューレスジョブ異常終了」 ログの出力項目 (キューレスログ)

項目名	内容	長さ (単位: バイト)
マネージャーホスト名	キューレスジョブの実行を依頼したマネージャーホスト名が出力されます。	1~255
ジョブ名	異常終了したキューレスジョブ名が「スケジューラーサービス名：ジョブ名：実行 ID」の形式で出力されます。	1~969
エージェントホスト名	異常終了したキューレスジョブの実行先エージェントホスト名が出力されます。	1~255
終了状態	次のどれかが出力されます。 a: 異常検出終了 f: 起動失敗 c: 強制終了 ?: 終了状態不明	1
戻り値	異常終了したキューレスジョブの戻り値が 10 進数で出力されます。	1~10

(7) 「キューレスジョブ警告終了」 ログの出力形式

「キューレスジョブ警告終了」 ログの出力形式を次に示します。

J104△日付△時刻△KAVS0254-W△マネージャーホスト名△スケジューラーサービス名：ジョブ名：実行 ID△エージェントホスト名△戻り値

出力例

```
J104 Feb 28 17:14:01 KAVS0254-W hostA AJSR00T1:/group/net1/job1:@A100 hostB 0
```

各項目について次の表に示します。

表 C-93 「キューレスジョブ警告終了」 ログの出力項目 (キューレスログ)

項目名	内容	長さ (単位: バイト)
マネージャーホスト名	キューレスジョブの実行を依頼したマネージャーホスト名が出力されます。	1~255

項目名	内容	長さ (単位: バイト)
ジョブ名	警告終了したキューレスジョブ名が「スケジューラーサービス名: ジョブ名: 実行 ID」の形式で出力されます。	1~969
エージェントホスト名	警告終了したキューレスジョブの実行先エージェントホスト名が出力されます。	1~255
戻り値	警告終了したキューレスジョブの戻り値が 10 進数で出力されます。	1~10

(8) 「サブミット要求受付」 ログの出力形式

「サブミット要求受付」 ログの出力形式を次に示します。

J106△日付△時刻△KAVS1984-I△マネージャーホスト名△スケジューラーサービス名: ジョブ名: 実行 ID△エージェントホスト名

出力例

```
J106 Jul 28 12:21:03 KAVS1984-I hostA AJSR00T1:/group/net1/job1:@A100 hostB
```

各項目について次の表に示します。

表 C-94 「サブミット要求受付」 ログの出力項目 (キューレスログ)

項目名	内容	長さ (単位: バイト)
マネージャーホスト名	キューレスジョブの実行を依頼したマネージャーホスト名が出力されます。	1~255
ジョブ名	サブミット要求を受け付けたキューレスジョブ名が「スケジューラーサービス名: ジョブ名: 実行 ID」の形式で出力されます。	1~969
エージェントホスト名	実行先エージェントホスト名として指定したホスト名が出力されます。	1~255

付録 C.3 定義内容の事前チェックで出力するログ

定義内容の事前チェックで出力する定義チェックログファイル中に出力されるログの一覧を次の表に示します。

表 C-95 定義内容の事前チェックで出力するのログ一覧

ログ種別	ログ名称	対応するメッセージの ID	対応する JP1 イベント	コマンド名	JP1/AJS3 - View からの操作	API
A201	JP1/AJS3 Check Manager サービス起動	KAVS3402-I	-	ajschkstart	-	-

ログ種別	ログ名称	対応するメッセージの ID	対応する JP1 イベント	コマンド名	JP1/AJS3 - View からの操作	API
A202	JP1/AJS3 Check Manager サービス停止	KAVS3403-I	—	ajschkstop	—	—
C901	コマンド要求受け付け	—	—	ajschkdef	—	—
A203	JP1/AJS3 Check Agent サービス起動	KAVS3406-I	—	ajschkstart	—	—
A204	JP1/AJS3 Check Agent サービス停止	KAVS3407-I	—	ajschkstop	—	—

(凡例)

— : 該当なし

各ログ情報の出力形式と出力項目について次に説明します。各ログ情報で、共通の出力形式については、「付録 C.1(1) ログの共通の出力形式」を参照してください。

(1) 「JP1/AJS3 Check Manager サービス起動」ログの出力形式

「JP1/AJS3 Check Manager サービス起動」ログの出力形式を次に示します。

A201△日付△時刻△KAVS3402-I△サービス起動ホスト名

出力例

```
A201 Aug 12 09:14:22 KAVS3402-I host1
```

各項目について次の表に示します。

表 C-96 「JP1/AJS3 Check Manager サービス起動」ログの出力項目

項目名	内容	長さ (単位: バイト)
サービス起動ホスト名	サービス起動ホスト名が出力されます。	1~255

(2) 「JP1/AJS3 Check Manager サービス停止」ログの出力形式

「JP1/AJS3 Check Manager サービス停止」ログの出力形式を次に示します。

A202△日付△時刻△KAVS3403-I△サービス停止ホスト名

出力例

```
A202 Aug 12 17:15:20 KAVS3403-I host1
```

各項目について次の表に示します。

表 C-97 「JP1/AJS3 Check Manager サービス停止」 ログの出力項目

項目名	内容	長さ (単位: バイト)
サービス停止ホスト名	サービス停止ホスト名が出力されます。	1~255

(3) 「コマンド要求受け付け」 ログの出力形式

「コマンド要求受け付け」 ログの出力形式を次に示します。

C901△日付△時刻△識別名△チェック項目△実行エージェントプロファイル名^{*1}△登録ユーザー名△ユニット属性プロファイル名^{*2}△出力ファイル名△ユニット完全名

注※1

ajschkdef コマンドに-p オプションを指定した場合だけ「△実行エージェントプロファイル名」が出力されます。-p オプションを指定していない場合は出力されません。

注※2

ajschkdef コマンドに-e オプションを指定した場合だけ「△ユニット属性プロファイル名」が出力されます。-e オプションを指定していない場合は出力されません。

出力例

```
C901 Aug 12 13:30:18 START 0 jp1admin C:¥Program Files¥HITACHI¥JP1AJS2¥log¥ajscheckfile.txt
net1
```

各項目について次の表に示します。

表 C-98 「コマンド要求受け付け」 ログの出力項目

項目名	内容	長さ (単位: バイト)
識別名	コマンドの実行種別が出力されます。 START: 定義内容の事前チェックの開始 STATUS: 定義内容の事前チェックの実行状態表示	1~6
チェック項目	コマンドで指定したチェック内容のオプション指定値が出力され ます (O, M, C, P, H, U, D, Aの形式)。	1~7
実行エージェントプロ ファイル名	-p オプションで指定した実行エージェントプロファイル名が出力 されます。	1~255
登録ユーザー名	-u オプションで指定した登録ユーザー名が出力されます。	1~31
ユニット属性プロファイ ル名	-e オプションで指定したユニット属性プロファイル名が出力され ます。	1~255
出力ファイル名	-o オプションで指定した出力ファイル名が出力されます。	1~255
ユニット完全名	コマンドで指定したユニット完全名が出力されます。	1~961

(4) 「JP1/AJS3 Check Agent サービス起動」 ログの出力形式

「JP1/AJS3 Check Agent サービス起動」 ログの出力形式を次に示します。

A203△日付△時刻△KAVS3406-I△サービス起動ホスト名

出力例

```
A203 Aug 12 09:14:22 KAVS3406-I host1
```

各項目について次の表に示します。

表 C-99 「JP1/AJS3 Check Agent サービス起動」 ログの出力項目

項目名	内容	長さ (単位: バイト)
サービス起動ホスト名	サービス起動ホスト名が出力されます。	1~255

(5) 「JP1/AJS3 Check Agent サービス停止」 ログの出力形式

「JP1/AJS3 Check Agent サービス停止」 ログの出力形式を次に示します。

A204△日付△時刻△KAVS3407-I△サービス停止ホスト名

出力例

```
A204 Aug 12 17:15:20 KAVS3407-I host1
```

各項目について次の表に示します。

表 C-100 「JP1/AJS3 Check Agent サービス停止」 ログの出力項目

項目名	内容	長さ (単位: バイト)
サービス停止ホスト名	サービス停止ホスト名が出力されます。	1~255

付録 C.4 フレキシブルジョブの実行で出力するログ

フレキシブルジョブ実行要求元ログファイル およびフレキシブルジョブ実行先ログファイルで出力するメッセージを次の表に示します。

表 C-101 フレキシブルジョブの実行で出力するログ

メッセージ ID	フレキシブル ジョブ実行要 求元ログファ イル	フレキシブル ジョブ実行先ロ グファイル	一斉配信エー ジェントログ ファイル	一斉配信 エージェン トおよび一 斉配信先の 宛先エー ジェントロ グファイル
KAVS8100	○	○	○	—
KAVS8101	○	—	○	—
KAVS8102	—	○	—	—
KAVS8106	○	○	○	—
KAVS8108	—	○	—	—
KAVS8109	—	○	—	—
KAVS8110	○	○	○	—
KAVS8115	○	—	○	—
KAVS8116	○	—	○	—
KAVS8130	—	○	—	—
KAVS8133~KAVS8136	—	○	—	—
KAVS8137	○	—	○	—
KAVS8138	○	—	○	—
KAVS8139~KAVS8141	—	○	—	—
KAVS8142	○	—	—	—
KAVS8143	—	○	—	—
KAVS8144	—	—	—	○
KAVS8145	—	—	○	—
KAVS8146	—	—	—	○
KAVS8147	—	—	—	○
KAVS8148	—	—	○	—
KAVS8149	—	—	○	—
KAVS8158	—	—	○	—
KAVS8159	—	—	○	—
KAVS8160	—	—	—	○
KAVS8162	—	—	○	—

メッセージID	フレキシブル ジョブ実行要 求元ログファ イル	フレキシブル ジョブ実行先ロ グファイル	一斉配信エー ジェントログ ファイル	一斉配信 エージェン トおよび一 斉配信先の 宛先エー ジェントロ グファイル
KAVS8163	—	—	—	○
KAVS8164	—	—	—	○

(凡例)

- ：出力する
- ：出力しない

付録 D 組み込み DB の動作に関する知識

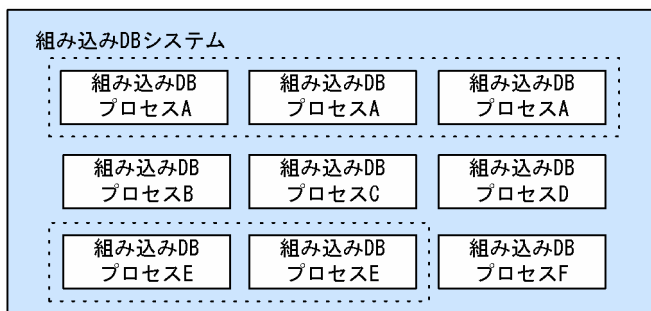
組み込み DB の動作に関する知識について説明します。

付録 D.1 組み込み DB システムと組み込み DB プロセス

組み込み DB では、OS 上で稼働している複数のプロセスが、互いに協力してデータベースへのアクセスを管理するという形態をとっています。この管理単位のことを、組み込み DB システム、その中で稼働する各プロセスのことを、組み込み DB プロセスと呼びます。

次の図に示すように、一つの組み込み DB システムには、複数の組み込み DB プロセスがあります。一つの組み込み DB システム上で、複数個同時に稼働する組み込み DB プロセスもあれば、一つしか稼働しない組み込み DB プロセスもあります。このような組み込み DB のプロセス構成やプロセス数については、「付録 B.4 組み込み DB のプロセス一覧」を参照してください。

図 D-1 組み込み DB システムと組み込み DB プロセスの関係



このマニュアルでは、「組み込み DB システム」のことを、「組み込み DB サーバ」、または単に「組み込み DB」と記載することもあります。組み込み DB を構成するそれぞれのプロセスについては説明する場合には、「組み込み DB プロセス」のように、「プロセス」であることを明記します。

付録 D.2 組み込み DB プロセス

(1) 組み込み DB プロセスの種類

組み込み DB のプロセスについて、次に説明します。

(a) 組み込み DB プロセス管理プロセス (pdprcd プロセス)

Windows の場合、組み込み DB サービスを開始すると pdprcd プロセスが生成され、組み込み DB サービスを停止すると pdprcd プロセスが消滅します。組み込み DB サービスを停止しないで `ajsembdbstop` コマンドで組み込み DB システムを停止した場合、pdprcd プロセスは消滅しないため、OS 上に常駐したままになります。

UNIX の場合、ajsembdbstart コマンドで組み込み DB を開始すると pdprcd プロセスが生成されます。ajsembdbstop コマンドで組み込み DB システムを停止すると pdprcd プロセスが消滅します。

(b) 組み込み DB システムの稼働中に OS 上に存在するプロセス

組み込み DB システムを開始すると、pdprcd プロセスが子プロセスを生成します。これらのプロセスは、組み込み DB システムの稼働中、OS 上に存在してデータベースアクセスを制御します。組み込み DB を停止すると、OS 上から消滅します。

(c) 組み込み DB 操作コマンドプロセス

組み込み DB 操作コマンドを実行すると、必要な処理を実行するためのプロセスが生成されます。これらのプロセスは、処理が終了したら、直ちに消滅します。

組み込み DB 操作コマンドには、組み込み DB システムが稼働中にだけ実行できるものと、稼働状態に関係なく実行できるものがあります。

(2) 組み込み DB プロセスの状態遷移

組み込み DB システムの動作に伴う、組み込み DB プロセスの動作を次の図に示します。

図 D-2 組み込み DB システムの動作に伴う組み込み DB プロセスの動作

組み込みDBプロセス名※1	組み込みDBプロセスの動作											
pdsds	○	→	—	○	→	▼	○	→	▼	○	→	—
pdlogswd	○	→	—	○	→	▼	○	→	▼	○	→	—
pd_buf_dfw	○	→	—	○	→	▼	○	→	▼	○	→	—
pdlogd	○	→	—	○	→	▼	○	→	▼	○	→	—
pdtrnrvd	○	→	—	○	→	▼	○	→	▼	○	→	—
pdtrnd	○	→	—	○	→	▼	○	→	▼	○	→	—
pdsdcd	○	→	—	○	→	▼	○	→	▼	○	→	—
pdstsd	○	→	—	○	→	▼	○	→	×	○	→	—
pdrdmd	○	→	—	○	→	▼	○	→	▼	○	→	—
pdmugd	○	→	—	○	→	▼	○	→	▼	○	→	—
pdrsvre	○	→	—	○	→	▼	○	→	▼	○	→	—
pdprcd (Windows) ※2	○	→	—	○	→	▼	○	→	▼	○	→	—
pdprcd (UNIX)	○	→	—	○	→	▼	○	→	▼	○	→	—
組み込みDBシステムの動作	環 境 構 築	正 常 停 止	正 常 開 始	強 制 停 止	再 開 始	異 常 終 了 ※3	再 開 始	正 常 停 止	環 境 削 除			

(凡例)

- : 生成
- : 正常終了
- ▼ : 強制終了
- × : 異常終了

注※1

pdprcdプロセスの動作は、UNIXの場合とWindowsの場合とで異なるので、分けて記載しています。ほかのプロセスについては、UNIXの場合とWindowsの場合とで共通です。

注※2

組み込みDBシステムの開始および停止を、ajsembdbstartコマンドおよびajsembdbstopコマンドではなく、組み込みDBサービスの開始および停止で実施する場合を想定しています。ajsembdbstartコマンドおよびajsembdbstopコマンドで実施する場合、pdprcdプロセスは、組み込みDBサービスの停止まで、OS上に存在し続けます。

注※3

まず、pdstsdプロセスが異常終了します。次に、それを受けて組み込みDBシステムの異常終了が発生した場合を想定しています。

組み込み DB プロセスの動作について、次に説明します。

(a) 生成

UNIX の場合、pdprcd プロセスはajsembdbstart コマンドによって生成されます。

Windows の場合、pdprcd プロセスは組み込み DB サービスによって生成されます。

pdprcd プロセス以外のプロセスは、pdprcd プロセスまたは実行された組み込み DB 操作コマンドによって生成されます。

(b) 正常終了

組み込み DB プロセスは、存在理由がなくなると、使用した資源（メモリー、ファイルなど）の削除などのあと始末処理を実行したあと、OS 上から消滅します。これを正常終了と呼びます。

正常終了のことを「正常停止」と記載することもあります。

(c) 強制終了

組み込み DB プロセスが正常終了する契機でなくても、発生している要求を満たすために、組み込み DB プロセスを直ちに終了させる必要がある場合があります。この場合、pdprcd プロセスが、各組み込み DB プロセスに対して即時終了要求を送信します。それを受けた組み込み DB プロセスは、あと始末処理をしないで直ちに終了します。これを、強制終了と呼びます。

組み込み DB プロセスが強制終了すると、あと始末処理をする専用の組み込み DB プロセスが起動し、強制終了した組み込み DB プロセスの代わりにあと始末処理を実行します。

強制終了は、主に次のような契機で発生します。

- 組み込み DB システムの強制停止 (ajsembdbstop コマンド-f オプション指定)
- 組み込み DB 操作コマンドの中断 (ajsembdbcancel コマンド)

強制終了のことを「強制停止」と記載することもあります。

(d) 異常終了

組み込み DB プロセスは、稼働を続行できないような障害が発生すると、あと始末処理をしないで OS 上から消滅します。これを異常終了と呼びます。

組み込み DB プロセスが異常終了すると、あと始末処理をする専用の組み込み DB プロセスが起動し、異常終了した組み込み DB プロセスの代わりにあと始末処理を実行します。さらに、異常終了した状況が致命的で、組み込み DB システム全体の稼働が続行できないと判断された場合には、組み込み DB システムを異常終了させます。

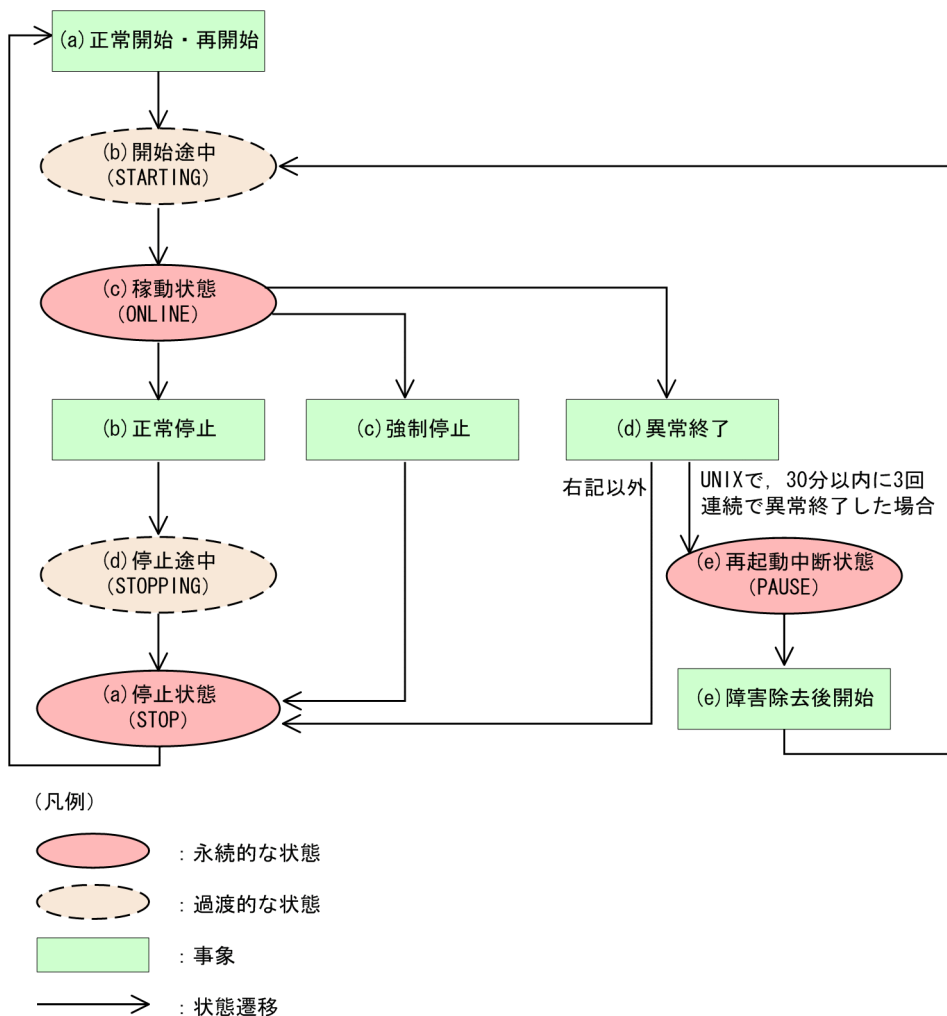
異常終了は、主に次のような契機で発生します。

- 上書きできるシステムログがないことの検知
- メモリー不足やディスク容量満杯などによる稼働続行不可の検知
- メモリー破壊などの矛盾の検知

付録 D.3 組み込み DB システム

組み込み DB システムの状態遷移について、次の図に示します。

図 D-3 組み込み DB システムの状態遷移



図中の組み込み DB システムの永続的な状態および過渡的な状態については「(1) 組み込み DB システムの状態」で、組み込み DB システムの事象については「(2) 組み込み DB システムの事象」でそれぞれ説明します。

(1) 組み込み DB システムの状態

図 D-3 の、永続的な状態および過渡的な状態について説明します。

組み込み DB システムの状態は、`ajsembdbstatus` コマンドに `-s` オプションを指定して確認できます。図 D-3 中の永続的な状態および過渡的な状態にある括弧内の文字列は、`ajsembdbstatus` コマンドに `-s` オプションを指定して表示される「UNIT-STAT」欄の値に対応しています。

(a) 停止状態 (STOP)

OS 上に、`pdprcd` プロセス以外の組み込み DB プロセスがない状態を「停止状態」と呼びます。ただし、Windows の場合、組み込み DB サービスを開始させていないときは、`pdprcd` プロセスも存在しません。

この状態のとき、スケジューラーデータベースにはアクセスできません。

(b) 開始途中 (STARTING)

「停止状態」から「稼働状態」へ遷移する過程の状態を「開始途中」と呼びます。組み込み DB プロセスは順次起動中で、各プロセスは稼働するための準備処理を実行中です。「開始途中」は過渡的な状態で、この状態にとどまることはありません。

この状態のとき、スケジューラーデータベースにはアクセスできません。

(c) 稼働状態 (ONLINE)

pdprcd プロセスの子プロセスがすべて起動完了し、初期化処理を完了した時点で、組み込み DB はデータベースアクセス処理を受け付けられる状態になります。この状態を「稼働状態」と呼びます。

スケジューラーデータベースにアクセスできるのは、この状態のときだけです。

(d) 停止途中 (STOPPING)

正常停止の場合に、「稼働状態」から「停止状態」へ遷移する過程の状態を「停止途中」と呼びます。組み込み DB のプロセスは順次停止中で、各プロセスは停止するための準備処理を実行中です。「停止途中」は過渡的な状態で、この状態にとどまることはありません。

なお、強制停止および異常終了の場合は、この状態を経由しません。

この状態のとき、スケジューラーデータベースにはアクセスできません。

(e) 再起動中断状態 (PAUSE)

障害が発生した場合にだけ発生する状態に「再起動中断状態」があります。

UNIX で、組み込み DB に障害が頻発 (30 分※以内に連続 3 回※) すると、この状態になります。Windows で同様の状況が発生した場合は、「停止状態」になります。

停止状態と同様に、pdprcd プロセス以外のプロセスは OS 上にありません。

この状態になると、組み込み DB システム管理者が障害を除去し、除去したことを明示 (ajsembdbstart コマンドの-R オプション指定) するまでは、再起動しても開始できません。

この状態のとき、スケジューラーデータベースにはアクセスできません。

注※

固定値です。変更できません。

(2) 組み込み DB システムの事象

組み込み DB システムの状態遷移には、組み込み DB システム管理者が実行する組み込み DB 操作コマンドによって発生する事象と、組み込み DB システムによって自動的に発生する事象があります。

図 D-3 の、事象について次に説明します。

(a) 正常開始・再開始

停止状態の組み込み DB システムを開始すると、開始途中状態を経て、稼働状態に遷移します。

環境構築直後、または正常停止後の開始を正常開始と呼びます。

強制停止後、または異常終了後の開始を再開始と呼びます。

(b) 正常停止

稼働状態の組み込み DB システムを正常停止すると、停止途中状態を経て、停止状態に遷移します。

正常停止のことを「正常終了」と記載することもあります。

(c) 強制停止

稼働状態の組み込み DB システムを強制停止すると、停止途中状態を経由しないで、停止状態に遷移します。

強制停止のことを「強制終了」と記載することもあります。

(d) 異常終了

稼働状態の組み込み DB システムで何らかの障害が発生すると、組み込み DB システムは、被害拡大を防ぐために、停止状態または再起動中断状態に遷移します。これを異常終了と呼びます。

具体的には、pdprcd プロセスが、ほかの組み込み DB プロセスをすべて強制終了させます。通常、異常終了すると停止状態に遷移します。ただし、30 分^{*}以内に 3 回^{*}連続で異常終了すると、再起動中断状態に遷移します。

注^{*}

固定値です。変更できません。

異常終了は、主に次のような契機で発生します。

- 上書きできるシステムログがないことの検知
- メモリー不足やディスク容量満杯などによる稼働続行不可の検知
- ディスク上のシステム領域破壊の検知

(e) 障害除去後開始

再起動中断状態の組み込み DB システムに対して障害を除去したあと、ajsembdbstart コマンドに-R オプションを指定して実行すると、開始途中状態を経て稼働状態に遷移します。この操作を、障害除去後開始と呼びます。この操作は、UNIX の場合にだけ発生します。

付録 E 各バージョンの変更内容

各バージョン（09-00 以降）での変更点を次に示します。

付録 E.1 11-50 の変更内容

11-50 での変更点をプログラムごとに示します。

(1) JP1/AJS3 - Manager の変更内容

- Web GUI で次の機能をサポートした。
 - 月間スケジュールの確認
 - 実行予定の追加
 - 計画一時変更（日時変更）
 - 計画一時変更（即時実行）
 - 計画一時変更（実行中止）
 - 計画一時変更（変更解除）
 - 遅延監視変更
 - API で、ユニット情報を取得する機能をサポートした。
 - Web Console サーバ上の Java ヒープの最大サイズを変更できるようにし、デフォルト値を 512（メガバイト）から 2,048（メガバイト）に変更した。
 - Web GUI に表示する状態表示色を変更できるようにした。
 - Web GUI の [モニタ] ダイアログボックスおよび [モニタ] 画面のマップエリアで、ユニット名とコメントを切り替えて表示できるようにした。
 - スケジューラーサービスを多重起動した際のジョブのスループットを改善するために、次の機能を追加した。
 - ジョブ実行時に使用するポート数を削減する機能
 - トレースログをスケジューラーサービス単位で出力する機能
- なお、内部処理の変更に伴い、複数のルートジョブネットが同時に開始する際の、JP1/AJS3 の処理性能を改善した。これにより、スケジューラーサービスを単一で起動した際の、ジョブのスループットも改善している。
- 1 台のマネージャーホストに登録できる実行エージェントの最大数を、2,048 台まで拡張できるようにした。
 - JP1/IM でユニットのコメントを確認できるようにするため、オブジェクトタイプが JOBNET および JOB の JP1 イベントの拡張属性（固有情報）に、ユニットのコメントを追加した。

- 環境設定パラメーターを設定するコマンドを、jajs_config コマンドに統一した。
- スケジューラーサービスを再起動した際に、特定の条件に該当するジョブを「終了状態不明」状態ではなく「先行終了待ち」状態または「未実行終了」状態に遷移させるようにした。これによって、スケジューラーサービス再起動後のジョブの状態から、ユーザープログラムが起動したかどうかを判断できるようになった。

(2) JP1/AJS3 - Agent の変更内容

- 環境設定パラメーターを設定するコマンドを、jajs_config コマンドに統一した。

(3) JP1/AJS3 - Agent Minimal Edition の変更内容

- 1日あたりに実行できるジョブ数を10回に制限した製品「JP1/AJS3 - Agent Minimal Edition」を追加した。

付録 E.2 11-10 の変更内容

11-10 での変更点をプログラムごとに示します。

(1) JP1/AJS3 - Manager の変更内容

- Web GUI と API でそれぞれ次の機能をサポートした。

Web GUI

- 実行予定の確認
- ユニットの中断
- ユニットの強制終了
- ユニットの再実行
- ジョブ状態変更
- PC ジョブと UNIX ジョブの詳細定義変更
- 状態による監視対象ユニットの絞り込み

API

- 確定実行登録（日時指定）
- 計画一時変更（日時変更）
- 計画一時変更（即時実行）
- 計画一時変更（実行中止）
- 計画一時変更（変更解除）
- 保留属性変更

- ユニットの中断
- ユニットの強制終了
- ユニットの再実行
- 遅延監視変更
- ジョブ状態変更
- ユニットの実行結果詳細の取得
- JP1/AJS3 - Manager のプロトコルバージョンの取得
- JP1/IM と JP1/AJS3 - Web Console を連携し、JP1/IM - View や、JP1/IM の自動アクションで送信されるメールから、Web GUI を表示できるようにした。
- JP1/PFM と JP1/AJS3 - Web Console を連携し、Web GUI から PFM - Web Console を起動できるようにした。
- 複数のカレンダー情報を組み合わせて出力する `ajscalutil` コマンドを追加した。
- 計画実行登録時および確定実行登録時に、実行登録で作成される世代のうち最初の実行世代に保留属性を設定する機能を追加した。
- 複数の実行エージェントで同時にジョブを実行させる場合に、一部の実行エージェントで通信障害が発生したとき、正常に通信できる実行エージェントへのジョブ配信遅延を軽減する機能を追加した。
- HP-UX, AIX および Linux の JP1/AJS3 - Manager のプロセスを 64-bit 化した。ただし、一部のプロセス (`jqman32`, `jqimport`, `jqexport`, `jqdbcond`, `jajs_maintain`, および `jajs_migrate`) を除く。
- フレキシブルジョブで、複数の実行エージェントに一斉にジョブを配信する機能（一斉配信機能）を追加した。
- `ajswbsetup` コマンドで待機系をセットアップするオプション (`-s`) を実行するときに、共有ディスクをマウントしなくても正常終了するように変更した。

(2) JP1/AJS3 - Agent の変更内容

- HP-UX, AIX および Linux の JP1/AJS3 - Agent のプロセスを 64-bit 化した。
- フレキシブルジョブで、複数の実行エージェントに一斉にジョブを配信する機能（一斉配信機能）を追加した。

(3) JP1/AJS3 - View の変更内容

- 計画実行登録時および確定実行登録時に、実行登録で作成される世代のうち最初の実行世代に保留属性を設定する機能を追加した。
- フレキシブルジョブで、複数の実行エージェントに一斉にジョブを配信する機能（一斉配信機能）を追加した。

- JP1/AJS3 - View を、複数のユーザーがリモートデスクトップ接続で同時に使用できる機能（リモートデスクトップ複数接続機能）を追加した。
- JP1/AJS3 - View で JP1 ユーザーごとに異なるカスタムジョブを使用できる機能を追加した。

付録 E.3 11-00 の変更内容

11-00 での変更点をプログラムごとに示します。

(1) JP1/AJS3 - Manager の変更内容

- サポート対象の言語種別を変更した。また、複数の言語種別が混在する環境で JP1/AJS3 を使用する場合の組み合わせのサポート可否を変更した。
- JP1/AJS3 - Manager のコンポーネントに、JP1/AJS3 - Web Console を追加した。JP1/AJS3 - Web Console を利用することで、インターネットを経由して Web ブラウザーでユニットを監視したり、API を利用してユニットを操作するユーザー独自のプログラムを開発したりできる。
- JP1/AJS3 - Manager のコンポーネントに、JP1/AJS3 - Print Option を統合した。JP1/AJS3 - Print Option を利用することで、ユニットの情報を帳票レイアウトの形式で表示したり、印刷したりできる。
- エージェントホストや JP1/AJS3 - View ホストなどとの通信電文を SSL で暗号化できるようにした。
- オートスケール環境の実行エージェントなど、マネージャーホストが直接管理できないエージェントホストでも処理を実行できる、フレキシブルジョブを追加した。ただし、フレキシブルジョブの定義は OS に依存しないが、実行は Windows および Linux 限定とする。
- クラウド環境や Web サーバで公開されている Web API など、HTTP で接続できるインターフェースに対してリクエストを送信できる、HTTP 接続ジョブを追加した。ただし、HTTP 接続ジョブの定義は OS に依存しないが、実行は Windows および Linux 限定とする。
- 次に示す環境設定パラメーターの初期値を推奨値に変更した。
 - UNITDEFDIVIDEUPDATE
 - AJSPRINTSORTUNITINF
 - ReceiveFileSizeStatus
 - LoadUserProfile
 - IsAccessTokenCache
 - MergeEnvMode
 - NotfyJobStateCount
 - PassingInfoUsePreRc
 - FileWriteMode
 - ResolveAgentInfo
 - RetryAgtStartNotification

- JP1/AJS3 の設計段階で検討が必要な環境設定パラメータを見直し、マニュアルを改善した。
- 待ち合わせ対象ユニットの後続ユニットを再実行した場合に、待ち合わせ対象ユニットの状態が変化しても、待ち合わせを完了しないようにするオプションを追加した。また、JP1/AJS3 を新規インストールして待ち合わせを有効にした場合の動作を変更した。
- 次に示す製品・機能との連携を廃止した。
 - JP1/AJS2 - Configuration
 - JP1/AJS2 for Mainframe
 - JP1/AJS2 for 活文 PDFstaff
 - JP1/AJS2 - Scenario Operation Manager
 - JP1/IM - Planning Operation
 - JP1/Performance Management - Agent Option for JP1/AJS3
- 次の OS をサポート対象とした。
 - CentOS 6 (x64)
 - CentOS 7
 - Linux 6.1 (x64)
 - Linux 7.1
 - Oracle Linux 6 (x64)
 - Oracle Linux 7
 - SUSE Linux 12
- 次の OS をサポート対象外とした。
 - Windows Server 2008 (Windows Server 2008 R2 を除く)
 - Windows Server 2003
 - Windows Server 2003 (x64)
 - Linux 6.1 (x86) 以降
 - Linux 5.1 (x86) 以降
 - Linux 5.1 (AMD/Intel 64) 以降
- Outlook 2003 との連携機能のサポートを廃止し、Outlook 2013 (32 ビット版) および Outlook 2010 (32 ビット版) との連携をサポート対象とした。
- JP1/AJS3 Console を下位バージョン互換機能とした。

(2) JP1/AJS3 - Agent の変更内容

- サポート対象の言語種別を変更した。また、複数の言語種別が混在する環境で JP1/AJS3 を使用する場
合の組み合わせのサポート可否を変更した。

- JP1/AJS3 - Manager との通信電文を SSL で暗号化できるようにした。
- フレキシブルジョブを実行できるようにした (Windows および Linux 限定)。
- HTTP 接続ジョブを実行できるようにした (Windows および Linux 限定)。
- 次に示す環境設定パラメーターの初期値を推奨値に変更した。
 - LoadUserProfile
 - IsAccessTokenCache
 - MergeEnvMode
 - NotifyJobStateCount
 - FileWriteMode
 - ResolveAgentInfo
 - RetryAgtStartNotification
- JP1/AJS3 の設計段階で検討が必要な環境設定パラメーターを見直し、マニュアルを改善した。
- 次の OS をサポート対象とした。
 - CentOS 6 (x64)
 - CentOS 7
 - Linux 6.1 (x64)
 - Linux 7.1
 - Oracle Linux 6 (x64)
 - Oracle Linux 7
 - SUSE Linux 12
- 次の OS をサポート対象外とした。
 - Windows Server 2008 (Windows Server 2008 R2 を除く)
 - Windows Server 2003
 - Windows Server 2003 (x64)
 - Linux 6.1 (x86) 以降
 - Linux 5.1 (x86) 以降
 - Linux 5.1 (AMD/Intel 64) 以降
- Outlook 2003 との連携機能のサポートを廃止し、Outlook 2013 (32 ビット版) および Outlook 2010 (32 ビット版) との連携をサポート対象とした。

(3) JP1/AJS3 - View の変更内容

- サポート対象の言語種別を変更した。また、複数の言語種別が混在する環境で JP1/AJS3 を使用する場
合の組み合わせのサポート可否を変更した。

- JP1/AJS3 - Manager との通信電文を SSL で暗号化できるようにした。
- 詳細定義ダイアログボックスを使ってフレキシブルジョブを定義できるようにした。
- 詳細定義ダイアログボックスを使って HTTP 接続ジョブを定義できるようにした。
- [ジョブネットエディタ] ウィンドウのメニューコマンドの貼り付け機能を、アイコン・アイコン座標位置・アイコン間の関連線を貼り付ける [貼り付け (関連線あり)] と、アイコン・アイコン座標位置を貼り付ける [貼り付け (関連線なし)] に変更した。
- [JP1/AJS3 - View] ウィンドウ (メイン画面) のツリーエリアおよびリストエリアに表示される項目の表示順序を設定できるオプションを追加した。
- [マンスリースケジュール] ウィンドウの日付エリアおよびスケジュールエリアで、当日の表示位置を変更するオプションを追加した。
- 各ウィンドウ共通で、次の設定がデフォルトとなるよう変更した。これらの設定は、JP1/AJS3 - View をカスタマイズすることで変更できる。
 - 未登録のカスタムジョブを「?」アイコンで表示する
 - ツリーエリアのユニットの表示順をリストエリアと同じ順番で表示する
- [JP1/AJS3 - View] ウィンドウで、次の設定がデフォルトとなるよう変更した。これらの設定は、JP1/AJS3 - View をカスタマイズすることで変更できる。
 - [JP1/AJS3 - View] ウィンドウ (メイン画面) を表示したときにリストエリアのジョブグループおよびプランニンググループを選択状態にする
 - 画面の更新後またはリストフィルター設定後もユニットの選択状態とスクロール位置を維持する
 - ネストジョブネットのスケジュール設定で [上位のジョブネットに依存する] をチェックした場合に、定義済みのスケジュールルールが削除される前に確認メッセージを表示する
 - 機能メニュー [ジョブネット定義] 選択時にリストエリアに実行登録済みジョブネットを表示する
- [ジョブネットエディタ] ウィンドウで、次の設定がデフォルトとなるよう変更した。これらの設定は、JP1/AJS3 - View をカスタマイズすることで変更できる。
 - [ジョブネットエディタ] ウィンドウを表示したときにマップエリアのネストジョブネットおよびネストリモートジョブネットを選択状態にする
 - [ジョブネットエディタ] ウィンドウの複数起動を抑止する
- [ジョブネットモニタ] ウィンドウで、次の設定がデフォルトとなるよう変更した。これらの設定は、JP1/AJS3 - View をカスタマイズすることで変更できる。
 - [実行結果詳細] ダイアログボックスの自動更新を抑止する
 - [実行結果詳細] ダイアログボックスを大きく表示する
 - [ジョブネットモニタ] ウィンドウの複数起動を抑止する
 - JP1/IM - View から [ジョブネットモニタ] ウィンドウを起動したときにジョブを直接マップエリアに表示する

- [JP1/AJS3 - View] ウィンドウ (メイン画面) のリストエリアの [状態] と [結果], および詳細情報エリアの [状態] に, 実行状態, 実行結果, および遅延を示すカラーイメージを表示するようにした。
- [ジョブネットエディタ] ウィンドウのアイコンリストで, 次のユニットがデフォルトでは非表示になるよう変更した。
 - リモートジョブネット
 - メッセージキュー受信監視ジョブ
 - MSMQ 受信監視ジョブ
 - メッセージキュー送信ジョブ
 - MSMQ 送信ジョブ
- Windows 10 をサポート対象とした。
- 次の OS をサポート対象外とした。
 - Windows Server 2008 (Windows Server 2008 R2 を除く)
 - Windows Vista
 - Windows Server 2003
 - Windows Server 2003 (x64)
 - Windows XP Professional

付録 E.4 10-50 の変更内容

10-50 での変更点をプログラムごとに示します。

(1) JP1/AJS3 - Manager の変更内容

- JP1/AJS3 - Manager をインストール・セットアップした仮想マシンを複製できるようにした。
- ディザスター・リカバリー環境の構築の際に, メインホストとリモートホストの論理ホスト名が同一名でも構成できるように機能を拡大した。
- 起算スケジュールを運用日や休業日に関係なく日数で算出する機能を追加した。
- 即時実行登録時に, ジョブネットの実行を保留する機能を追加した。
- JP1/AJS3 - View から JP1/AJS3 - Manager に対して, 一部のコマンドを実行できる機能を追加した。
- 資料採取ツール (_04.bat または_04) と同機能の, jajs_log.bat およびjajs_log の提供を開始した。また, Windows 版の資料採取ツールに, 資料の出力先を任意に指定できるオプションを追加した。
- ajsprint コマンドに, 関連線情報の出力順序をユニット名称順にするオプションを追加した。
- エージェントホストの IP アドレスを変更する手順を変更した。
- AIX, HP-UX, および Solaris10 で使用できる文字コードに UTF-8 を追加した。

- `jajs_killall.cluster` コマンドに指定できる論理ホスト名の文字数を拡張した。
- AIX V7.1 または AIX V6.1 の JP1/AJS3 - Manager と、バージョン 08-57 以降の JP1/AJS2 - Manager for Mainframe が連携できるようにした。

(2) JP1/AJS3 - Agent の変更内容

- 資料採取ツール (`_04.bat` または `_04`) と同機能の、`jajs_log.bat` および `jajs_log` の提供を開始した。また、Windows 版の資料採取ツールに、資料の出力先を任意に指定できるオプションを追加した。
- エージェントホストの IP アドレスを変更する手順を変更した。
- AIX, HP-UX, および Solaris10 で使用できる文字コードに UTF-8 を追加した。
- `jajs_killall.cluster` コマンドに指定できる論理ホスト名の文字数を拡張した。

(3) JP1/AJS3 - View の変更内容

- [スケジュールルール] ダイアログボックスの [高度] タブにある起算スケジュールの設定で、起算スケジュールを運用日や休業日に関係なく日数で算出する項目を追加した。
- [実行登録] ダイアログボックスで、登録方法が [即時実行] の場合に、ジョブネットの実行を保留する項目を追加した。
- JP1/AJS3 - View から JP1/AJS3 - Manager に対して、一部のコマンドを実行できる機能を追加した。
- 資料採取ツール (`_04.bat` または `_04`) と同機能の、`jajs_log.bat` および `jajs_log` の提供を開始した。また、Windows 版の資料採取ツールに、資料の出力先を任意に指定できるオプションを追加した。

付録 E.5 10-10 の変更内容

10-10 での変更点をプログラムごとに示します。

(1) JP1/AJS3 - Manager の変更内容

- マネージャーホストに接続するホストを、IP アドレスで制限する機能を追加した。
- 未登録ユニットの実行予定を JP1/AJS3 - View の [マンスリースケジュール] ウィンドウで確認できる機能を追加した。
- JP1 ユーザーが JP1/AJS3 - View でログインした際に、アクセス権のないスケジューラーサービスを JP1/AJS3 - View に表示させない機能を追加した。
- JP1/AJS3 - View から JP1/AJS3 - Manager への最大同時接続数を、スケジューラーサービス単位で制限できる機能を追加した。
- JP1/AJS3 - View で JP1 ユーザーのパスワードを変更できるようにする機能を追加した。
- Linux 5.1 (x86) 以降および Linux 5.1 (AMD/Intel 64) 以降をサポート対象とした。
- Solaris 11 (SPARC) に関する記載を追加した。

(2) JP1/AJS3 - Agent の変更内容

- エージェントホストに接続するホストを、IP アドレスで制限する機能を追加した。
- Solaris 11 (SPARC) に関する記載を追加した。

(3) JP1/AJS3 - View の変更内容

- 未登録ユニットの実行予定を [マンスリースケジュール] ウィンドウで確認できる機能を追加した。
- JP1 ユーザーが JP1/AJS3 - View でログインした際に、アクセス権のないスケジューラーサービスを [JP1/AJS3 - View] ウィンドウ (メイン画面) に表示しない機能を追加した。
- JP1/AJS3 - View から JP1/AJS3 - Manager への最大同時接続数を、スケジューラーサービス単位で制限できる機能を追加した。
- JP1/AJS3 - View で JP1 ユーザーのパスワードを変更できるようにする機能を追加した。
- [カスタムジョブの登録] ダイアログボックスおよび [カスタムジョブ登録情報] ダイアログボックスの表示方式を変更した。
- 機能メニューの [ジョブネット定義] を選択しているときに、[JP1/AJS3 - View] ウィンドウ (メイン画面) のリストエリアに実行登録済みのジョブネットを表示できるようにした。
- [ジョブネットエディタ] ウィンドウで使用しないユニットアイコンを非表示にする機能 ([デフォルト値の設定] ダイアログボックスの設定) を拡張した。
- [ログイン] 画面に表示される、前回ログイン時のユーザー名および接続先ホスト名の履歴を抑止する機能を追加した。

付録 E.6 10-00 の変更内容

10-00 での変更点をプログラムごとに示します。

(1) JP1/AJS3 - Manager の変更内容

- IPv6 アドレスでの通信をサポートした。
- JP1/AJS3 の新規インストール時に、JP1/AJS3 に対してスーパーユーザー権限と同等の操作権限を持つユーザー (AJS 管理者) を設定できる機能を追加した。
- ジョブに定義した実行ファイルが異常終了した場合に、ジョブを自動でリトライする機能を追加した。
- 待ち合わせ条件を、起動条件付きジョブネットにも設定できるようにした。また、待ち合わせ対象ユニットとして起動条件付きユニットを指定できるようにした。
- 判定ジョブが正常終了した場合に、従属ジョブを再実行できるようにした。
- 判定ジョブの判定条件に、背反条件や範囲条件を追加した。

- Windows イベントログ監視ジョブで監視できるログに、Windows Server 2008 で追加されたログ種別やイベント種別を追加した。
- 実行間隔制御ジョブが起動条件として定義された場合に、起動条件の監視開始直後に起動条件を成立させることができるオプションを追加した。
- メール送信ジョブを使用する場合に、Outlook を使用しないでメールを送信する機能を追加した。
- Windows Server 2008 で SNMP トラップを発行できるようにした。
- 組み込み DB 管理プロセスの体系を改善した。
- JP1/AJS3 Database サービスのスタートアップの種類を「手動」にして、JP1/AJS3 Database ClusterService サービスが作成されないようにした。
- 管理者権限を持つ OS ユーザーにマッピングされた JP1 ユーザーであっても、設定された JP1 権限レベルに従って実行権限がチェックされるオプションを追加した。
- `ajsentry` コマンドで確定実行登録をする場合に、期間指定できるようにした。
- `jajs_setup` コマンドや `jajs_setup_cluster` コマンドで組み込み DB を構築する際に、指定できるオプションを追加した。
- `ajsembdbidlist` コマンドおよび `ajsembdbstatus` コマンドで、組み込み DB の状態を表示できるようにした。
- 組み込み DB の構築の際に、組み込み DB 設定ファイルを生成するようにした。`ajsembdbbuild` コマンドで組み込み DB を構築する場合に、この組み込み DB 設定ファイルを指定することで、以前構築した組み込み DB と同じ構成の組み込み DB が構築できるようにした。
- JP1/AJS3 - Software Development Kit と連携できるようにした。
- JP1/DH - AJE と連携できるようにし、標準カスタムジョブに DHAJEW を追加した。
- 次の OS をサポート対象外とした。
 - Windows Server 2008 (IPF)
 - Windows Server 2003 (IPF)
 - Solaris 9 (SPARC)
 - Solaris 10 (x64)
 - Solaris 10 (x86)
 - Linux 5 (x86)
 - Linux 5 (AMD/Intel 64)
 - Linux 5 (IPF)
- 次の OS をサポート対象とした。
 - Windows Server 2012
 - Solaris 11 (SPARC)

(2) JP1/AJS3 - Agent の変更内容

- IPv6 アドレスでの通信をサポートした。
- JP1/AJS3 の新規インストール時に、JP1/AJS3 に対してスーパーユーザー権限と同等の操作権限を持つユーザー（AJS 管理者）を設定できる機能を追加した。
- 実行間隔制御ジョブが起動条件として定義された場合に、起動条件の監視開始直後に起動条件を成立させることができるオプションを追加した。
- メール送信ジョブを使用する場合に、Outlook を使用しないでメールを送信する機能を追加した。
- Windows Server 2008 で SNMP トラップを発行できるようにした。
- Windows イベントログ監視ジョブで監視できるログに、Windows Server 2008 で追加されたログ種別やイベント種別を追加した。
- 次の OS をサポート対象外とした。
 - Windows Server 2008 (IPF)
 - Windows Server 2003 (IPF)
 - Solaris 9 (SPARC)
 - Solaris 10 (x64)
 - Solaris 10 (x86)
 - Linux 5 (x86)
 - Linux 5 (AMD/Intel 64)
 - Linux 5 (IPF)
- 次の OS をサポート対象とした。
 - Windows Server 2012
 - Solaris 11 (SPARC)

(3) JP1/AJS3 - View の変更内容

- 次のウィンドウに、リトライ情報が表示されるようにした。
 - [デイリースケジュール] ウィンドウ
 - [マンスリースケジュール] ウィンドウ
 - [ジョブネットモニタ] ウィンドウ
 - [詳細スケジュール] ダイアログボックス
 - [モニタ詳細 - [アイコン名]] ダイアログボックス
- [ジョブネットエディタ] ウィンドウのリストエリアに、リトライ設定の有無が表示されるようにした。
- [検索] ウィンドウで指定できる検索条件に、[リトライ設定] および [リトライ実行] を追加した。また、[検索] ウィンドウに表示される検索結果に、自動リトライに関する項目を追加した。

- [待ち合わせ条件の状態一覧] ウィンドウから [デイリースケジュール] ウィンドウおよび [マンスリースケジュール] ウィンドウを表示できるようにした。
- [待ち合わせ条件の設定一覧] ウィンドウおよび [待ち合わせ条件の状態一覧] ウィンドウに、待ち合わせ対象が起動条件付きジョブネットの場合の設定項目が表示されるようにした。
- [待ち合わせ条件の設定] ダイアログボックスに、待ち合わせ対象ユニットが起動条件付きジョブネットの場合の設定項目を追加した。
- [表示項目設定] ダイアログボックスで、[ジョブネットエディタ] ウィンドウおよび [ジョブネットモニタ] ウィンドウのリストエリアの表示項目を設定できるようにした。
- UNIX ジョブ、PC ジョブ、QUEUE ジョブ、カスタムジョブ、およびオペレーションジョブの詳細定義に、自動リトライに関する定義項目を追加した。
- 判定ジョブの判定条件に、背反条件や範囲条件を追加した。
- Windows イベントログ監視ジョブの詳細定義の [ログ種別] および [イベントの種別] に、Windows Server 2008 で追加されたログ種別やイベント種別を追加した。
- 実行間隔制御ジョブの詳細定義に、起動条件の監視開始直後に起動条件を成立させるかどうかを指定する [開始直後に満了] オプションを追加した。
- ネストジョブネットのスケジュール設定で [上位のジョブネットに依存する] をチェックした場合に、定義済みのスケジュールルールが削除される前に確認メッセージを表示する機能を追加した。
- 次の OS をサポート対象とした。
 - Windows 8.1
 - Windows 8
 - Windows Server 2012
- [ジョブネットエディタ] ウィンドウおよび [ジョブネットモニタ] ウィンドウの複数起動を抑止するオプションを追加した。

付録 E.7 09-50 の変更内容

09-50 での変更点をプログラムごとに示します。

(1) JP1/AJS3 - Manager の変更内容

- 異なるジョブネット間のユニットの実行順序を制御する方法として、待ち合わせ条件を使用できるようにした。
- マクロ変数を指定できる定義項目を拡張した。また、マクロ変数を使用して情報を引き継ぐ、引き継ぎ情報設定ジョブを追加した。
- 新規作成またはコピーしたユニットの属性を上位ユニットから継承する機能、およびジョブの実行ユーザーを固定できる機能を追加した。

- 許可していない実行エージェントでのジョブ実行を防ぐ機能を追加した。
- 一時変更の操作情報を一覧で確認して、任意の情報を再操作（再反映）できる機能を追加した。
- 開始時刻が一定間隔のスケジュールルールをまとめて定義できる機能、および複数のスケジュールルールをまとめて削除する機能を追加した。
- ジョブ終了の JP1 イベントをジョブ稼働情報として利用できるようにするため、出力する JP1 イベントの拡張属性（固有情報）に「実行ユーザー名」と「実行時間」を追加した。
- JP1/Advanced Shell と連携できるようにした。
- 次の OS をサポート対象とした。
 - Linux 6 (x86)
 - Linux 6 (x64)

(2) JP1/AJS3 - Agent の変更内容

- 次の OS をサポート対象とした。
 - Linux 6 (x86)
 - Linux 6 (x64)

(3) JP1/AJS3 - View の変更内容

- [検索] ウィンドウで指定できる検索条件に、[参照カレンダー]、[待ち合わせ対象]、および [登録種別] を追加した。
- [ジョブネットエディタ] および [ジョブネットモニタ] ウィンドウで上位階層への移動時に移動前のネストジョブネットを選択状態で表示するオプションを追加した。

付録 E.8 09-10 の変更内容

09-10 での変更点をプログラムごとに示します。

(1) JP1/AJS3 - Manager の変更内容

- ディスクコピーによるミラーリングに対応し、ディザスター・リカバリー運用をできるようにした。
- JP1/AJS2 for Mainframe バージョン 8 と連携できるようにした。

(2) JP1/AJS3 - View の変更内容

- [ジョブネットモニタ] ウィンドウに、当日に実行された、または実行予定があるユニットだけを通常表示し、それ以外のユニットおよび関連線を淡い色で表示する機能を追加した。

- [検索] ウィンドウでの検索条件に [期間指定] を追加した。また、検索結果をサマリー監視画面で表示させる操作を簡略化した。
- [モニタ詳細 - [カスタムジョブ名]] ダイアログボックスに任意のプログラムを起動できる [起動] ボタンを追加した。
- JP1/AJS3 - Definition Assistant 09-10 で追加されたユーザー認証機能によって、JP1/AJS3 - View から JP1/AJS3 - Definition Assistant を起動する際に JP1 ユーザー名の指定が必要になったことに伴い、[ツールの登録] ダイアログボックスの [置換文字列] で選択できる項目として [JP1 ユーザー名] を追加した。

付録 E.9 09-00 の変更内容

09-00 での変更点をプログラムごとに示します。

(1) JP1/AJS3 - Manager の変更内容

- JP1/AJS3 の標準データベースを組み込み DB に変更した。
- 組み込み DB に関連する次の機能を変更した。
 - データベースモデルの大規模・中規模・小規模の容量を変更した
 - データベース領域およびシステムログの自動増分機能を追加した
 - システムログ運用を廃止した
 - 組み込み DB を制御するコマンドの機能を改善した
- ISAM データベースは、QUEUE ジョブ、サブミットジョブ使用時だけ使用するデータベースとした。
- ジョブやジョブネットの実行先を実ホスト名ではなく、エージェントホストの論理的な名称である実行エージェント名で指定できるエージェント管理機能を追加した。
- サービス停止時に「キューイング」状態のジョブをサービス再起動（ホットスタート）時に「先行終了待ち」状態に戻したあと、再度サブミットするように変更した。
- 実行登録中にジョブネット定義を切り替えられるジョブネットリリース機能を追加した。
- スケジューラーサービスごとにジョブ実行制御マネージャプロセス (jqpman)、イベント・アクション制御マネージャプロセス (jpomanager) を起動するようにした。
- スケジューラーログファイルを、スケジューラーサービス単位またはホスト単位に出力できるようにした。
- 次に示す機能を改善した。
 - ジョブネットの保存世代数の管理方式
 - 起動条件付きジョブネットの監視世代の成立方式
 - 起動条件の成立による実行世代の滞留方式
- ajsshow コマンドのフォーマット指示子の指定で、標準出力ファイル名を出力できるようにした。

- [マネージャー環境設定] ダイアログボックスを廃止し、jajs_config コマンドで環境を設定するようになった。
- 次の環境設定パラメーターを追加した。
 - FixedHostnameForAgent
 - NotificationConstantRetry
 - NotificationRetryInterval
 - NotificationRetryCount
 - ClientConnectTimeout

(2) JP1/AJS3 - Agent の変更内容

- [エージェント環境設定] ダイアログボックスを廃止し、jajs_config コマンドで環境を設定するようになった。
- メッセージキューシステムとの連携機能をサポート対象外とした。
- 次の環境設定パラメーターを追加した。
 - FixedHostnameForAgent
 - NotificationConstantRetry
 - NotificationRetryInterval
 - NotificationRetryCount
 - ClientConnectTimeout

(3) JP1/AJS3 - View の変更内容

- ジョブやジョブネットの実行先を実ホスト名ではなく、エージェントホストの論理的な名称である実行エージェント名で指定できるエージェント管理機能を追加した。
- 実行登録中にジョブネット定義を切り替えられるジョブネットリリース機能を追加した。
- [JP1/AJS3 - View] ウィンドウに機能メニューを追加し、タスク志向で操作できるようにした。
- [JP1/AJS3 - View] ウィンドウ（サマリー監視画面）を追加し、ジョブネットの進捗率などを表示できるようにした。
- 起動モードを追加し、JP1/AJS3 - View を次に示すモードで表示できるようにした。
 - 標準モード
[JP1/AJS3 - View] ウィンドウに機能メニューを表示するモード
 - 監視モード
[JP1/AJS3 - View] ウィンドウ（サマリー監視画面）だけを表示する監視専用のモード
 - 互換モード
バージョン 8 以前の JP1/AJS3 - View と同じ動作をするモード

- [JP1/AJS3 - View] ウィンドウ（メイン画面）に、詳細情報エリアを追加し、詳細情報を表示できるようにした。
- 起動条件の詳細定義で、監視世代の多重起動と起動条件成立時の実行世代の滞留について動作を選択できる機能を追加した。
- 一覧情報を絞り込めるリストフィルター機能を追加した。
- 一覧情報を CSV 形式で記憶できる機能を追加した。
- [デイリースケジュール] ウィンドウ、および [マンスリースケジュール] ウィンドウの表示日または表示月をボタンで切り替えられるようにした。
- [ジョブネットエディタ] ウィンドウ、および [ジョブネットモニタ] ウィンドウにリストエリアを追加し、ジョブネットに定義されているジョブを一覧表示できるようにした。
- [検索] ウィンドウを追加し、詳細な検索条件を設定したり、検索結果のユニットを操作したりできるようにした。
- ホイールマウスで画面をスクロールできるようにした。
- 各ウィンドウの一覧形式のエリアで、表示項目の [種別] を分類して表示するか詳細に表示するかを選択する機能を追加した。
- [詳細定義] ダイアログボックスで特定の定義項目を変更できないようにする機能を追加した。
- [ジョブネットエディタ] ウィンドウのアイコンリストで、使用しないアイコンを表示しない機能を追加した。
- Windows 7 をサポート対象 OS とした (JP1/AJS3 - View 09-00-05 以降)。

付録 F このマニュアルの参考情報

このマニュアルを読むに当たっての参考情報を示します。

付録 F.1 関連マニュアル

このマニュアルの関連マニュアルを次に示します。必要に応じてお読みください。

JP1/AJS 関連

- JP1 Version 11 ジョブ管理 基本ガイド (ジョブスケジューラー編) (3021-3-B11)
- JP1 Version 11 JP1/Automatic Job Management System 3 導入ガイド (3021-3-B12)
- JP1 Version 11 JP1/Automatic Job Management System 3 設計ガイド (システム構築編) (3021-3-B13)
- JP1 Version 11 JP1/Automatic Job Management System 3 設計ガイド (業務設計編) (3021-3-B14)
- JP1 Version 11 JP1/Automatic Job Management System 3 構築ガイド (3021-3-B15)
- JP1 Version 11 JP1/Automatic Job Management System 3 運用ガイド (3021-3-B16)
- JP1 Version 11 JP1/Automatic Job Management System 3 操作ガイド (3021-3-B18)
- JP1 Version 11 JP1/Automatic Job Management System 3 コマンドリファレンス (3021-3-B19)
- JP1 Version 11 JP1/Automatic Job Management System 3 連携ガイド (3021-3-B20)
- JP1 Version 11 JP1/Automatic Job Management System 3 メッセージ (3021-3-B21)
- JP1 Version 11 JP1/Automatic Job Management System 3 - Print Option (3021-3-B26)
- JP1 Version 11 JP1/Automatic Job Management System 3 - Definition Assistant (3021-3-B25)
- JP1 Version 10 JP1/Automatic Job Management System 3 - Software Development Kit 設計・構築ガイド (3021-3-118)
- JP1 Version 10 JP1/Automatic Job Management System 3 - Software Development Kit API リファレンス (3021-3-119)
- JP1 Version 10 JP1/Automatic Job Management System 3 - Web Operation Assistant (3021-3-122)
- JP1 Version 10 JP1/Automatic Job Management System 3 - SOA Option Web システム呼び出し機能編 (3021-3-128)
- JP1 Version 10 JP1/Automatic Job Management System 3 - SOA Option ジョブ・ジョブネット呼び出し機能編 (3021-3-129)
- JP1 Version 10 JP1/Automatic Job Management System 3 for Enterprise Applications (3021-3-126)

JP1 関連

- JP1 Version 11 JP1/Base 運用ガイド (3021-3-A01)
- JP1 Version 11 JP1/Base メッセージ (3021-3-A02)
- JP1 Version 11 JP1/Base 関数リファレンス (3021-3-A03)
- JP1 Version 11 統合管理 基本ガイド (統合コンソール編) (3021-3-A06)
- JP1 Version 11 JP1/Integrated Management - Manager 導入・設計ガイド (3021-3-A07)
- JP1 Version 11 JP1/Integrated Management - Manager 構築ガイド (3021-3-A08)
- JP1 Version 11 JP1/Integrated Management - Manager 運用ガイド (3021-3-A09)
- JP1 Version 11 JP1/Integrated Management - Manager 画面リファレンス (3021-3-A10)
- JP1 Version 11 JP1/Integrated Management - Manager コマンド・定義ファイルリファレンス (3021-3-A11)
- JP1 Version 11 JP1/Integrated Management - Manager メッセージ (3021-3-A12)
- JP1 Version 11 JP1/Audit Management - Manager 構築・運用ガイド (3021-3-A17)
- JP1 Version 11 JP1/Power Monitor (3021-3-B28)
- JP1 Version 11 JP1/Script(Windows(R)用) (3021-3-B30)
- JP1 Version 11 ジョブ管理 基本ガイド (スクリプト言語編) (3021-3-B31)
- JP1 Version 11 JP1/Advanced Shell (3021-3-B32)
- JP1 Version 11 JP1/File Transmission Server/FTP(Windows(R)用) (3021-3-B36)
- JP1 Version 11 JP1/File Transmission Server/FTP(UNIX(R)用) (3021-3-B37)
- JP1 Version 11 パフォーマンス管理 基本ガイド (稼働性能管理編) (3021-3-A36)
- JP1 Version 11 JP1/Performance Management 設計・構築ガイド (3021-3-A37)
- JP1 Version 11 JP1/Performance Management 運用ガイド (3021-3-A38)
- JP1 Version 11 JP1/Performance Management リファレンス (3021-3-A39)
- JP1 Version 11 ジョブ管理 基本ガイド (高速大容量ファイル転送編) (3021-3-B41)
- JP1 Version 11 JP1/Data Highway - Automatic Job Executor (3021-3-B46)
- JP1 Version 9 JP1/NETM/DM 導入・設計ガイド(Windows(R)用) (3020-3-S79)
- JP1 Version 9 JP1/NETM/DM 構築ガイド(Windows(R)用) (3020-3-S80)
- JP1 Version 9 JP1/NETM/DM 運用ガイド 1(Windows(R)用) (3020-3-S81)
- JP1 Version 9 JP1/NETM/DM 運用ガイド 2(Windows(R)用) (3020-3-S82)
- JP1 Version 9 JP1/NETM/DM Automatic Installation Tool ガイド(Windows(R)用) (3020-3-S83)
- JP1 Version 9 JP1/NETM/DM Administrator Kit (3020-3-S84)

- JP1 Version 9 JP1/NETM/DM Client(UNIX(R)用) (3020-3-S85)
- JP1 Version 9 JP1/NETM/DM API リファレンス(UNIX(R)用) (3020-3-S86)
- JP1 Version 8 JP1/NETM/DM SubManager(UNIX(R)用) (3020-3-L42)
- JP1 Version 6 JP1/NETM/DM Manager (3000-3-841)
- JP1 Version 8 JP1/Cm2/Network Node Manager ネットワーク管理ガイド (3020-3-L01)
- JP1 Version 8 JP1/Cm2/Extensible SNMP Agent (3020-3-L04)
- JP1 Version 7i JP1/NQSEXEC システム管理者ガイド (3020-3-F30)
- JP1 Version 7i JP1/NQSEXEC ユーザーズガイド (3020-3-F31)
- VOS3 オープンジョブウェイ支援 JP1/Open Job Entry (6190-3-365)
- VOS1/FS オープンジョブウェイ支援 for VOS1 (6150-3-377)
- VOSK/FS オープンジョブウェイ支援 for VOSK (650-3-416)
- MVS オープンジョブウェイ支援 JP1/Open Job Entry (9000-3-365)
- OSIV/MSP オープンジョブウェイ支援 JP1/Open Job Entry (9000-3-366)
- JP1 Version 6 JP1/Open Job Entry for Midrange Computer (9000-3-367)

付録 F.2 説明文で使用する書式

(1) マニュアルで使用する記号

このマニュアルで使用する記号を次の表に示します。

記号	意味
[]	メニュー項目、ダイアログボックス、ボタンなどを示します。 (例) [ファイル] - [新規作成] を選択する。 上記の例では、メニューバーの [ファイル] を選んで、ドロップダウンリストの [新規作成] を選択することを示します。

(2) コマンドの文法に使用する記号

コマンド、およびパラメーターの説明で使用する記号を次の表に示します。

記号	意味と例
 (ストローク)	複数の項目に対して項目間の区切りを示し、「または」の意味を示します。 (例) 「A B C」は、「A, B, または C」を示します。

記号	意味と例
{ } (波括弧)	この記号で囲まれている複数の項目の中から、一組の項目を必ず選択します。 項目と項目の区切りは「 」で示します。 (例) 「{A B C}」は、「A, B, または C のどれかを必ず指定する」ことを示します。
[] (角括弧)	この記号で囲まれている項目は、任意に指定できます (省略できます)。 (例) 「[A]」は、「必要に応じて A を指定する」ことを示します (必要でない場合は、A を省略できます)。 「[B C]」は、「必要に応じて B, または C を指定する」ことを示します (必要でない場合は、B および C を省略できます)。
... (点線)	この記号の直前に示された項目を繰り返して複数指定できます。 なお、項目を複数指定する場合は、項目の区切りに 1 バイトの空白文字 (半角スペース) を使用します。 (例) 「A B...」は、「A のあとに、B を複数指定できる」ことを示します。
_ (下線)	括弧で囲まれているすべての項目を省略したときに、システムが採用する値を示します。 (例) 「[A]B」は、「A および B を指定しなかった場合、システムは A を採用する」ことを示します。
(()) (二重括弧)	指定できる値の範囲を示します。

(3) 数式で使用する記号

このマニュアルの数式中で使用する記号を、次の表に示します。

記号	意味
*	乗算記号を示します。
/	除算記号を示します。
↑ ↑	計算結果の値を小数点以下で切り上げることを示します。 (例) ↑34 / 3 ↑の計算結果は 12 となります。
MAX	計算結果のうち、最も大きい値を選ぶことを示しています。 (例) MAX(3*6, 4+7)の計算結果は、18 となります。

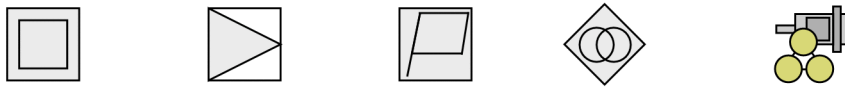
(4) 図中で使用する記号

このマニュアルの図中で使用する記号を次の図に示します。

●ジョブグループ ●プランニンググループ ●ジョブネット ●ジョブ



●イベントジョブ ●アクションジョブ ●判定ジョブ ●ORジョブ ●ジョブネットコネクタ



●待ち合わせ条件付きユニット



付録 F.3 フォルダおよびディレクトリの表記

このマニュアルでは、Windows のフォルダ名と UNIX のディレクトリ名とが同じ場合、原則として、フォルダ名と表記しています。

付録 F.4 製品名の表記

このマニュアルでは、日立製品およびその他の製品の名称を省略して表記しています。このマニュアルでの表記と製品の正式名称を、次の表に示します。

このマニュアルでの表記		正式名称
JP1/AJS3	JP1/AJS3 - Manager	JP1/Automatic Job Management System 3 - Manager
	JP1/AJS3 - Agent	JP1/Automatic Job Management System 3 - Agent
	JP1/AJS3 - View	JP1/Automatic Job Management System 3 - View
JP1/AJS3 - Web Console		JP1/Automatic Job Management System 3 - Web Console
JP1/AJS3 - Print Option	JP1/AJS3 - Print Option Manager	JP1/Automatic Job Management System 3 - Print Option Manager
	JP1/AJS3 - Print Option	JP1/Automatic Job Management System 3 - Print Option
JP1/AJS2	JP1/AJS2 - Manager	JP1/Automatic Job Management System 2 - Manager
	JP1/AJS2 - Agent	JP1/Automatic Job Management System 2 - Agent

このマニュアルでの表記		正式名称
JP1/AJS2	JP1/AJS2 - View	JP1/Automatic Job Management System 2 - View
JP1/AJS3 - Definition Assistant		JP1/Automatic Job Management System 3 - Definition Assistant
JP1/AJS3 - SOA Option	JP1/AJS3 - SOA Option	JP1/Automatic Job Management System 3 - SOA Option
	JP1/AJS3 - View for SOA Option	JP1/Automatic Job Management System 3 - View for SOA Option*
JP1/AJS3 - Software Development Kit		JP1/Automatic Job Management System 3 - Software Development Kit
JP1/AJS3 - User Job Operation		JP1/Automatic Job Management System 3 - User Job Operation
JP1/AJS3 - Web Operation Assistant		JP1/Automatic Job Management System 3 - Web Operation Assistant
JP1/AJS3 for Enterprise Applications		JP1/Automatic Job Management System 3 for Enterprise Applications
JP1/DH - AJE		JP1/Data Highway - Automatic Job Executor
JP1/DH - Server		JP1/Data Highway - Server
JP1/FTP		JP1/File Transmission Server/FTP
JP1/IM	JP1/IM - Manager	JP1/Integrated Management - Manager
	JP1/IM - View	JP1/Integrated Management - View
JP1/OJE		JP1/Open Job Entry
JP1/OJE for Midrange Computer		JP1/Open Job Entry for Midrange Computer
JP1/OJE for VOS3		JP1/Open Job Entry for VOS3
JP1/PFM	PFM - Manager	JP1/Performance Management - Manager
	PFM - Base	JP1/Performance Management - Base
	PFM - Web Console	JP1/Performance Management - Web Console
	PFM - Agent Option for Platform	JP1/Performance Management - Agent Option for Platform (UNIX(R)用)
JP1/Performance Management - Agent Option for Platform (Windows(R)用)		
JP1/SES		JP1/System Event Service
NNM	JP1/Cm2/NNM	JP1/Cm2/Network Node Manager バージョン 8 以前

このマニュアルでの表記		正式名称
NNM	JP1/Cm2/NNM	JP1/Cm2/Network Node Manager Starter Edition 250 バージョン 8 以前
		JP1/Cm2/Network Node Manager Starter Edition Enterprise バージョン 8 以前
	HP NNM	HP Network Node Manager Software バージョン 7.5 以前
		HP Network Node Manager Software Starter Edition バージョン 7.5 以前
AIX		AIX V6.1
		AIX V7.1
Firefox	Firefox ESR	Mozilla(R) Firefox(R) Extended Support Release
HP-UX	HP-UX (IPF)	HP-UX 11i V3 (IPF)
Linux	CentOS 6 (x64)	CentOS 6 (x64)
	CentOS 7	CentOS 7
	Linux 6.1 (x64)	Red Hat Enterprise Linux(R) Server 6.1 (64-bit x86_64)
	Linux 7.1	Red Hat Enterprise Linux(R) Server 7.1
	Oracle Linux 6 (x64)	Oracle Linux(R) Operating System 6 (x64)
	Oracle Linux 7	Oracle Linux(R) Operating System 7
	SUSE Linux 12	SUSE Linux(R) Enterprise Server 12
SAP BW		SAP Business Information Warehouse
SAP R/3		SAP R/3(R)
Solaris		Solaris 10(SPARC)
		Solaris 11(SPARC)

注※

JP1/AJS3 - SOA Option に含まれるコンポーネントです。JP1/AJS3 - View と連携して動作します。

- JP1/AJS3 および JP1/AJS2 を総称して JP1/AJS と表記することがあります。
- HP-UX, Solaris, AIX, および Linux を総称して UNIX と表記することがあります。

付録 F.5 英略語

このマニュアルで使用する英略語を次に示します。

英略語	正式名称
ACL	Access Control List
API	Application Programming Interface
DB	Database
DBMS	Database Management System
DNS	Domain Name System
EUC	Extended UNIX Code
FQDN	Fully Qualified Domain Name
FTP	File Transfer Protocol
GUI	Graphical User Interface
HTTP	Hyper Text Transfer Protocol
HTTPS	Hyper Text Transfer Protocol Security
IME	Input Method Editor
IPF	Itanium(R) Processor Family
ISAM	Indexed Sequential Access Method
JIS	Japanese Industrial Standard code
LAN	Local Area Network
MAPI	Messaging Application Programming Interface
MIB	Management Information Base
MIME	Multipurpose Internet Mail Extensions
NAT	Network Address Translator
NFS	Network File System
NIC	Network Interface Card
PDF	Portable Document Format
RDB	Relational Database
REST	Representational State Transfer
SMTP	Simple Mail Transfer Protocol
SNMP	Simple Network Management Protocol
SUP	Service Using Program
TCP/IP	Transmission Control Protocol/Internet Protocol
UAC	User Account Control
UNC	Universal Naming Convention

英略語	正式名称
WAN	Wide Area Network
WOW64	Windows On Windows 64
WSDL	Web Services Description Language

付録 F.6 Windows 版 JP1/AJS3 のデフォルトのインストール先フォルダ

Windows 版 JP1/AJS3 のデフォルトのインストール先フォルダは、次のとおりです。

JP1/AJS3 - Manager のデフォルトのインストール先フォルダ

システムドライブ¥Program Files (x86)¥HITACHI¥JP1AJS2

なお、JP1/AJS3 - Web Console のデフォルトのインストール先フォルダは、次のとおりです。

システムドライブ¥Program Files¥HITACHI¥JP1AJS3WEB

JP1/AJS3 - Agent のデフォルトのインストール先フォルダ

システムドライブ¥Program Files (x86)¥HITACHI¥JP1AJS2

JP1/AJS3 - View のデフォルトのインストール先フォルダ

システムドライブ¥Program Files (x86)¥¥HITACHI¥JP1AJS2V

注※

32ビット版の Windows の場合は、「Program Files (x86)」を「Program Files」と読み替えてください。

付録 F.7 Windows の [スタート] メニューについて

Windows Server 2016, Windows 8.1, Windows 8, または Windows Server 2012 を使用している場合、[スタート] メニューから実行する操作は、次のように実行してください。

Windows Server 2016, Windows 8.1, または Windows Server 2012 R2 を使用している場合

下矢印のアイコンをクリックして、アプリの一覧を開いて実行してください。

Windows 8, または Windows Server 2012 (Windows Server 2012 R2 を除く) を使用している場合

[スタート] 画面を右クリックして、[すべてのアプリ] を開いて実行してください。

付録 F.8 このマニュアルで使用する「Administrators 権限」について

このマニュアルで表記している「Administrators 権限」とは、ローカル PC のビルトイン Administrator の実行権限を指します。

ローカル PC に対して Administrators 権限を持つユーザーであれば、ローカルユーザー、ドメインユーザー、および ActiveDirectory 環境で動作に違いはありません。

付録 F.9 オンラインマニュアルについて

JP1/AJS3 - View では、Web ブラウザーで参照できる HTML マニュアルを提供しています。

JP1/AJS3 - View では、[ヘルプ] - [目次] を選択すると目次が表示されます。また、[F1] キーを押して目次を表示することもできます。ただし、拡張子 htm のファイルに Web ブラウザーが関連づけられていない場合、HTML マニュアルが正しく表示されません。その場合は、htm ファイルと Web ブラウザーを関連づけてください。

注意事項

スタートメニューからオンラインマニュアルを表示させると、OS の設定によってはすでに表示されているブラウザの画面上に HTML マニュアルが表示されることがあります。

付録 F.10 JP1/AJS3 で使用できる正規表現について

ダイアログボックスやコマンドでの定義で、正規表現が使用できる項目があります。Windows での正規表現については、マニュアル「JP1/Base 運用ガイド」を参照してください。UNIX での正規表現については、UNIX のドキュメントを参照してください。

Windows のホスト上でイベントジョブを実行する場合、JP1/Base の設定によって使用できる正規表現が異なります。使用できる正規表現の設定方法については、マニュアル「JP1/Base 運用ガイド」の、使用する正規表現の拡張に関する説明を参照してください。

なお、正規表現で、すべての文字に一致する「.*」を多数使用すると、検索に時間が掛かることがあります。長いメッセージなどに対しては、必要な個所に対してだけ「.*」を使用するようにしてください。また、UNIX では、空白以外の文字に一致させたい場合など、「.*」の代わりに「[^\s]*（空白以外の文字の繰り返し）」を使用すると、検索時間を短縮できます。

付録 F.11 JIS 2004 (JIS X 0213:2004) で追加された第 3 水準、第 4 水準漢字について

JP1/AJS3 では、JIS 2004 で追加された第 3 水準漢字、第 4 水準漢字を使用できません。これらの文字を使用した場合、正常に動作しないおそれがあります。

付録 F.12 NNM 連携について

JP1/AJS3 では、次の製品との連携をサポートしています。

- HP Network Node Manager Software バージョン 6 以前
- HP Network Node Manager Starter Edition Software バージョン 7.5 以前
- JP1/Cm2/Network Node Manager バージョン 7 以前
- JP1/Cm2/Network Node Manager Starter Edition 250 バージョン 8 以前
- JP1/Cm2/Network Node Manager Starter Edition Enterprise バージョン 8 以前

このマニュアルでは、これらの製品を「NNM」と表記します。

なお、次の製品との連携はサポートしていませんので、ご注意ください。

- HP Network Node Manager i Software v8.10
- JP1/Cm2/Network Node Manager i 09-00 以降
- JP1/Network Node Manager i 11-00 以降

付録 F.13 KB (キロバイト) などの単位表記について

1KB (キロバイト), 1MB (メガバイト), 1GB (ギガバイト), 1TB (テラバイト) はそれぞれ 1,024 バイト, 1,024² バイト, 1,024³ バイト, 1,024⁴ バイトです。

(英字)

AJSPATH

JP1/AJS3 で使用するパスを定義するための環境変数です。環境変数を指定しておくこと、コマンドでジョブネット名を指定するときに完全パス名の指定が不要になります。

AJS 管理者

JP1/AJS3 に対してスーパーユーザー権限と同等の操作権限を持つユーザーです。AJS 管理者は、JP1 管理者グループに属する JP1/Base 管理者から一つのユーザーを選んで設定します。AJS 管理者を設定することで、JP1/AJS3 の環境設定やサービスの起動・停止など、JP1/AJS3 のシステム管理・運用操作を一般の OS ユーザーができるようになります。

HITSENER Data Mart Server

データマート（データウェアハウスのデータから目的に合わせて必要なデータを抽出した、利用目的ごとのデータベース）の作成、変更、および運用の自動化をプログラミングなしで実現するソフトウェアです。HITSENER Data Mart Server で定義した運用情報を JP1/AJS3 のジョブネットに登録することで、データマートをスケジュールに従って運用できます。

HP NNM

ネットワークの構成、性能、および障害を管理する、ヒューレット・パッカー社統合ネットワーク管理プログラムの総称です。

HTTP 接続ジョブ

HTTP プロトコルでリクエストの送信およびレスポンスの受信ができるジョブです。HTTP 接続ジョブを使用することで、REST API など HTTP のインターフェースを持つ API に処理を要求できるようになります。これによって、JP1/AJS3 で構築された業務システムに Web 上の業務システムを組み込むことができます。

ISAM データベース

QUEUE ジョブ、サブミットジョブの実行環境を管理するデータベースです。ISAM (Indexed Sequential Access Method) 方式でデータに索引を付けて管理します。JP1/Base に標準で添付されています。

JP1/AJS3 - Agent Minimal Edition

JP1/AJS3 - Manager から依頼を受けて、1 日当たり 10 個までのジョブを実行できるプログラムです。一部の制限を除いて、JP1/AJS3 - Agent と同等の機能を持ちます。

1 日に少数のジョブだけを実行するマシンへの導入に適しています。

JP1/AJS3 - Definition Assistant

Excel のテンプレートで編集した大量の JP1/AJS3 の定義情報をマネージャーホストに登録したり、マネージャーホストに登録されている JP1/AJS3 の定義情報を Excel のテンプレートに取得したりするプログラムです。JP1/AJS3 - Definition Assistant で提供されている Excel のテンプレートを、定義情報管理テンプレートといいます。一覧表形式の定義情報管理テンプレートでは、オートフィルやオートフィルターなどの Excel の機能を使って、効率良く定義情報の入力や編集ができます。

JP1/AJS3 - Print Option

JP1/AJS3 - Manager のコンポーネントの一つです。

JP1/AJS3 のジョブネットやスケジュールの情報を、ジョブネット定義情報、実行予実績確認表、実行結果確認表などの帳票レイアウトの形式で表示したり、印刷したりするためのプログラムです。また、JP1/AJS3 のジョブネットやスケジュールの情報を CSV 形式で出力できます。

JP1/AJS3 - SOA Option

Web サービスシステムと JP1/AJS3 システムを仲介し、JP1/AJS3 で Web サービスを一連の業務として実行させるためのプログラムです。

Web アプリケーションサーバ上の Web サービスを JP1/AJS3 のジョブとして実行できます。

JP1/AJS3 - Software Development Kit

JP1/AJS3 を操作するための API を、Java 言語で実装したクラスライブラリとして提供するプログラムです。JP1/AJS3 - Software Development Kit が提供する API を利用することで、JP1/AJS3 を操作するアプリケーションを独自に開発できます。

JP1/AJS3 - Web Operation Assistant

複数のマネージャーホスト上で実行されているユニットの状態や結果を、Web ブラウザー上に一覧表示するプログラムです。操作したいジョブやジョブネットを Web ブラウザー上で選択して再実行などの操作をしたり、[ジョブネットモニタ] ウィンドウを起動して状態や結果を確認したりできます。

JP1/AJS3 for Enterprise Applications

R/3 以外のシステムから R/3 システムのジョブを制御するプログラムです。R/3 ジョブの投入、削除、および監視ができます。

JP1/AJS3 のジョブネット定義時に JP1/AJS3 for Enterprise Applications のカスタムジョブをジョブネットに登録すると、JP1/AJS3 から R/3 ジョブを自動実行できます。

なお、JP1/AJS3 for Enterprise Applications は、JP1/Application Manager for R/3 を名称変更したものです。

JP1/Base

イベントサービス機能を提供するプログラムです。サービスの起動順序を制御したり、JP1 イベントを送受信したりできます。また、JP1/Base は、JP1/IM、JP1/AJS3、および JP1/Power Monitor の前提プログラムです。JP1/IM、および JP1/AJS3 を使ったシステムを導入する場合、JP1 ユーザーの操作を制限する機能を提供します。

JP1/Cm2

ネットワークの構成、性能、および障害を管理するための統合ネットワーク管理プログラムの総称です。なお、JP1 バージョン 11 からは名称が変更されています。

JP1/DH - AJE

JP1/DH - Server とのデータ送受信を自動化するためのプログラムです。

JP1/FTP

業務と連携したファイル送受信、ファイルのスケジュール伝送、ファイル受信後のプログラムの自動起動など、ファイル伝送業務を効率的に運用するためのプログラムです。また、ファイル伝送状態を監視できるため、ファイル伝送業務の信頼性を向上できます。

JP1/IM

分散システムを集中的に監視するためのプログラムです。分散システム内での業務の実行状況や障害などの情報を表す JP1 イベントを、JP1/IM - View の画面を通じて監視できます。

JP1/NETM/DM

ソフトウェアの配布およびクライアントの管理を、ネットワークを利用し一括して行うシステムの総称です。

JP1/NETM/DM のコマンドインターフェースを使用して JP1/AJS3 と連携すると、ソフトウェアの配布などを自動化できます。

JP1/NQSEXEC

定型的なバッチ処理を分散システム上で実行し、バッチジョブを効率良く運用するためのプログラムです。

JP1/OJE for Midrange Computer

Windows ホストや UNIX ホストから AS/400 にバッチジョブを投入したり、AS/400 から Windows ホストや UNIX ホストにバッチジョブを投入したりするためのプログラムです。

JP1/OJE for VOS1

JP1/AJS3 と連携して、Windows および UNIX と、メインフレーム (VOS1) 間のバッチジョブを実行したり監視したりするプログラムです。

JP1/OJE for VOS3

JP1/AJS3 と連携して、Windows および UNIX と、メインフレーム (VOS3) 間のバッチジョブを実行したり監視したりするプログラムです。

JP1/OJE for VOSK

JP1/AJS3 と連携して、Windows および UNIX と、メインフレーム (VOSK) 間のバッチジョブを実行したり監視したりするプログラムです。

JP1/PFM

システム全体のさまざまな監視対象から稼働情報を収集し、安定したシステム運用を支援するプログラムです。

JP1/Power Monitor

ホストを自動的に起動・終了するプログラムです。スケジュールを設定してホストを起動・終了したり、離れた場所にあるホストを起動・終了したりできます。

JP1/Script

Windows 上でジョブを制御するスクリプト (バッチファイル) を作成して実行するためのプログラムです。JP1/AJS3 と連携すると、ジョブを自動運転できます。

JP1 イベント

システム内で何らかの事象が発生した際に、その事象の発生を通知する情報です。JP1 イベントは、JP1/Base を経由して、他システムなどに通知されます。

JP1 権限レベル

JP1/AJS3 で定義した業務やイベントなどの管理対象 (資源) に対して、JP1 ユーザーがどのような操作をできるかを表した名称です。JP1/Base で定義します。

JP1 資源グループ

JP1/AJS3 の各ユニットに対する JP1 ユーザーのアクセスを制御するために、ユニットに設定する名称です。

JP1 ユーザー

JP1/AJS3 または JP1/IM を使用するときのユーザー名です。JP1 ユーザーとして認証サーバに登録すると、管理対象 (資源) へのアクセスが制御されます。

MAPI (Messaging Application Programming Interface)

Windows 用の標準的なメッセージング API です。

MIME (Multipurpose Internet Mail Extensions)

SMTP の拡張機能で、ASCII データ以外のデータを送受信する場合に使います。

メールシステム間でのデータ送受信の方法や、メールを転送するために交換する制御メッセージのフォーマットなどを定めています。

MQSeries

IBM 社の製品で、メッセージキューを使って、同一のプラットフォームまたは異なるプラットフォーム間でメッセージをやり取りするためのプログラムです。

MQ 文字列

TP1/Message Queue および MQSeries で定義されている文字列です。

MQ 文字列には次の文字が指定できます。

- A~Z, a~z (英文字)
- 0~9 (アラビア数字)
- . (ピリオド)
- / (スラント)
- _ (アンダーバー)
- % (パーセント)

MSMQ

Microsoft Message Queue Server の略で、Windows 上でメッセージキューイング機能を実現するソフトウェアです。

SMTP (Simple Mail Transfer Protocol)

UNIX のネットワークで一般的に使われているプロトコルです。このプロトコルは、TCP/IP 上で異なるシステム間での ASCII データの転送を実現するための規約です。

SUP

TP1/LiNK または TP1/Server Base のクライアントとなるプログラムのことです。JP1/AJS2 では、SUP を使用してメッセージキュー連携機能を実現しています。メッセージキュー連携機能を使用するときは、TP1/LiNK または TP1/Server Base の SUP に JP1/AJS2 のユーザーサーバを設定しておきます。

TP1/LiNK

オープンシステムでトランザクション処理、およびサーバの処理分散化を実現するソフトウェアです。JP1/AJS2 では、これらの機能のうちトランザクション処理を使用しています。

TP1/Message Queue

TP1/LiNK または TP1/Server Base と連携して、メッセージキューイング機能を実現するソフトウェアです。OpenTP1 システムに組み込み、異なるアプリケーション同士でプログラム間通信ができます。TP1/Message Queue は一連のメッセージキューイング機能のプログラ

ム間でメッセージ送受信が簡単にできます。また、TP1/Message Queue は、OpenTP1 システムのメッセージキューマネージャーの役割を持ち、メッセージキューの管理およびメッセージの送受信をします。

TP1/Server Base

オープンシステムでトランザクション処理、およびサーバの処理分散化を実現するソフトウェアです。JP1/AJS2 では、これらの機能のうちトランザクション処理を使用しています。

Web Console サーバ

JP1/AJS3 - Web Console をインストールしたホストです。

Web Console サーバは、Web サーバおよび Web アプリケーションサーバとして動作し、HTTP 通信や Web アプリケーションの動作を制御します。クライアントからのリクエストに応じて JP1/AJS3 - Manager からユニットの情報を取得し、レスポンスとしてクライアントに送信します。

また、JP1/AJS3 を操作するための API も提供しています。API を利用することで、JP1/AJS3 を操作するアプリケーションを独自に開発できます。

Web GUI

マネージャーホストに定義されているユニットを監視する、クライアント端末のインターフェースです。Web GUI はクライアント端末から Web Console サーバに接続して、Web ブラウザで表示されます。

Web GUI を使用することで、インターネット経由でユニットの実行状況や進捗を監視したり、ジョブネットを実行したりできます。

Windows Messaging 機能

電子メールを送受信するためのインターフェースを提供する機能です。Windows Messaging を使うと、オンラインサービスから受け取ったデータなど、さまざまな種類の情報を管理、アクセス、および共有できます。

(ア行)

アクションジョブ

メールやメッセージキューを送信したり、JP1/IM や JP1/Cm2/NNM または HP NNM に状態を知らせるイベントを送信したりするジョブです。

宛先エージェント

フレキシブルジョブを実行するエージェントです。オートスケール環境の実行エージェントなどを指します。

異常終了

ジョブネットの異常終了とは、ジョブネットに定義した処理の一部が正しく実行されないで、その時点でジョブネットを終了することです。障害が発生した部分からあとに定義されている処理は実行されないで、ジョブネットは中断されます。

ジョブの異常終了は、ジョブが正しく実行されないで、処理を途中で中断することです。

組み込み DB システムの異常終了は、組み込み DB システムに対して何らかの障害が発生した場合に、組み込み DB システム停止操作が実行されていないのに、稼働状態だった組み込み DB システムが停止状態または再起動中断状態に遷移することです。詳細については、マニュアル「JP1/Automatic Job Management System 3 トラブルシューティング 付録 D 組み込み DB の動作に関する知識」を参照してください。

異常終了しきい値

ジョブが正常終了したか異常終了したかを、ジョブの終了コードで判断するための値です。

一斉実行

フレキシブルジョブで、一つのジョブを複数の実行エージェントに一斉配信して実行することです。複数の実行エージェントで同じ処理を実行させたい場合に使用します。

一斉配信エージェント

一斉実行で、複数の宛先エージェントにジョブを一斉に配信するエージェントです。一斉配信エージェントは、ジョブの配信先のエージェント（宛先エージェント）を自動で管理します。そのため、オートスケールなどで実行エージェントが追加・削除されるような環境でも、ジョブの配信範囲を自動で拡張・縮小するため、ジョブ定義を修正したり、ジョブを新規に追加・削除したりする必要がありません。

イベント

メールの受信やファイルの更新など、システム内で起こる特定の事象のことで、ジョブやジョブネットなどの実行契機となります。イベントの発生は、イベントジョブを使って監視します。

イベントジョブ

システム内の特定の事象の発生を監視するジョブです。イベントジョブを開始すると、ファイルの更新やメッセージの受信などを監視し始めます。

打ち切り時間

ジョブを実行したとき、ジョブからの応答がなかったり終了しなかったりした場合に、ジョブを強制的に打ち切るまでの時間です。

運用日

ジョブネットを実行する日です。

エージェントホスト

エージェントホストとは、マネージャーホストから依頼されたジョブを実行するホストです。このホストには、JP1/AJS3 - Agent をインストールします。なお、JP1/AJS3 - Manager も JP1/AJS3 - Agent の機能を持っているため、エージェントホストに JP1/AJS3 - Manager をインストールすることもできます。

エージェントホストは、マネージャーホストからジョブの依頼を受け、ジョブを実行します。ジョブの実行が終わると、エージェントホストは実行ファイルの実行結果（戻り値）を受け取り、ジョブの実行結果をマネージャーホストに転送します。

(カ行)

確定実行登録

スケジュール定義に基づいてあらかじめ実行日時を算出しておき、その日時に従ってジョブネットを起動し、処理を開始する場合の実行登録方法です。

確定スケジュール

確定実行登録時に決められた、絶対日時で確定しているスケジュールのことです。

カスタムジョブ

ある特定の機能を持つジョブを実行するように、あらかじめ定義されたジョブです。ファイル転送やメインフレームへのジョブ依頼など、標準カスタムジョブとして提供しているもののほかに、業務の中でよく使うジョブをカスタムジョブとして登録しておくこともできます。カスタムジョブとして登録する場合、専用のアイコンの形、絵、またはジョブ情報入力のためのダイアログボックスが作成できます。

なお、カスタムジョブを使用する場合は、そのジョブに必要なプログラムをインストールしておく必要があります。

仮想マシン

物理的なホスト内に構築される、OS が動作する仮想的なコンピュータシステム（ホスト）のことです。1 台の物理ホスト上で複数の仮想マシンを動作させることができます。これによって、複数の作業を同時に処理したり、異なる OS を同時に起動したりできます。

また、セットアップ済みの仮想マシンを複製することで、同一環境を持つホストを簡単に増やすことができます。

カレンダー情報

業務の運用日と休業日についての情報です。ジョブグループごとに定義できます。この情報によって、ジョブグループ中のジョブネットを実行する日と実行しない日が決定します。ただし、休業日振り替え実行が定義されている場合は、休業日でもジョブネットを実行します。

また、運用日に合わせて、基準日と月区分、基準時刻も設定できます。

環境設定パラメーター

JP1/AJS3 の運用に必要な各種情報を設定するためのパラメーターで、環境設定ファイルの中に記述します。例えば、JP1/AJS3 のユニット情報を格納するディレクトリを指定したり、syslog メッセージの出力の可否を指定したりします。

環境設定ファイル

スケジューラーサービスの環境やジョブの実行環境など、JP1/AJS3 の運用に必要な情報を設定するファイルです。

起算スケジュール

実行開始日時、処理サイクル、および休業日の振り替えに従って決められた次回実行予定日を起算日として扱い、新たに次回実行予定日を算出したい場合に定義するスケジュールのことです。

起算猶予日数

起算後の次回実行予定日が休業日の場合に、実行予定日を探す期間を日数で定義したもののことです。

基準時刻

JP1/AJS3 を運用するときの、日付の境となる時刻です。

例えば、基準時刻を「8 時」と設定すると、7 時 59 分までは前日扱いとなります。

基準日

カレンダー情報で、月の開始日として指定した日のことです。

起動条件

特定の事象を契機としてジョブネットを実行させる場合に、どのような条件が成立したときにジョブネットを実行させるか定義したもののことです。

起動条件付きジョブネット

起動条件 (.CONDITION) が設定されているジョブネットのことです。

キュー

実行登録されたジョブを一時的にためておくところです。ジョブは、登録された順番でキューに並び、そのキューに接続されているエージェントに対して順次転送され、実行されます。

大量のジョブが同時に実行されシステムの性能が低下しないよう、キューは、エージェントで同時に実行するジョブの数を制御します。

キューイングジョブ

キューへジョブを直接登録して実行依頼する形態のジョブです。

休業日

ジョブネットを実行しない日です。ただし、休業日振り替え実行が定義されている場合はジョブネットを実行します。

キューレスジョブ

キューを使わないで、マネージャーから直接エージェントへ送られて実行されるジョブです。ジョブ実行制御でのジョブの管理を省略し、処理を簡略化しているため通常のジョブに比べて処理性能が向上し、一定の時間により多くのジョブを実行できます。ただし、実行エージェントや実行エージェントグループを使用できないなど、ジョブ実行制御の機能については使用できません。

ジョブネットに定義する PC ジョブおよび UNIX ジョブの実行先サービスに [キューレス] を設定することで、キューレスジョブとして定義できます。

なお、このマニュアルでは特に断り書きがないかぎり、実行先サービスに [標準] を設定したジョブについて説明しているものとします。

キューレスジョブ実行環境

キューレスジョブ実行環境は、JP1/AJS3 のマネージャー（スケジューラーサービスとキューレスファイル転送サービス）と、キューレスエージェント（キューレスエージェントサービス）の実行環境で構成されます。キューレスジョブの実行は、キューレスジョブ実行環境の環境設定パラメーターで管理されます。

なお、キューレスジョブ実行環境は、環境設定パラメーターを設定する前に `ajsqlsetup` コマンドでセットアップしておく必要があります。

強制終了

実行中のユニットを強制終了します。

ルートジョブネットを強制終了した場合、実行中のジョブをすべて強制終了し、ジョブネットを中断します。

組み込み DB

JP1/AJS3 の標準データベースです。信頼性などが要求されるシステムや、扱う情報量が多い大規模なシステムに適したデータベースです。

組み込み DB 管理者 (DB 管理者)

組み込み DB で、各種権限の付与および取り消しを行う権限を持っているユーザー (DBA 権限所持ユーザー) を示します。

組み込み DB の内部で管理されているユーザーです。

組み込み DB サービス

Windows 上での組み込み DB 使用環境を提供するサービスです。組み込み DB を使用するには、このサービスを開始する必要があります。サービス名称は「JP1/AJS3 Database セットアップ識別子」です。

組み込み DB システム管理者

組み込み DB 運用ディレクトリおよび組み込み DB ファイルシステム領域（データ領域、システム領域）の所有者であり、組み込み DB の各コマンドを実行できるユーザーを示します。

OS 上で管理されているユーザーです。

組み込み DB 操作コマンド

ajsembdb で始まる名称のコマンドの総称です。

クラスタシステム

クラスタシステムとは、複数のサーバシステムを連携して一つのシステムとして運用するシステムで、障害が発生しても業務を継続できるようにすることを目的としています。業務を実行中のサーバ（実行系）で障害が発生すると、待機していた別のサーバ（待機系）が業務の処理を引き継ぎます。実行「系」から待機「系」へ業務を切り替えるので、「系切り替えシステム」とも呼びます。

なお、クラスタシステムという用語には、並列処理による負荷分散機能という意味もありますが、このマニュアルでは、系を切り替えて業務の中断を防ぐ機能のことだけを指します。

計画実行登録

スケジュール定義に基づいてジョブネットを起動し、処理を開始する場合の実行登録方法です。

系切り替えシステム

クラスタシステムを参照してください。

警告終了

ジョブネットに定義した処理の一部が正しく実行されないままジョブネットを終了することです。ジョブネットは中断されないで、最後まで実行されます。

発生した障害が、ジョブネットを中断するほど重大でない場合に、この終了方法にします。

警告終了しきい値

ジョブが警告終了したかを判断するための値です。

件名

メール中の Subject: に記述される文字列です。JP1/AJS3 では、件名に ASCII 文字列以外も設定できますが、接続しているメールシステムによっては ASCII 文字列以外を扱えない場合があります。

後続ジョブ

あるジョブ、またはジョブネットの直後に実行するジョブのことです。

後続ジョブネット

あるジョブ、またはジョブネットの直後に実行するジョブネットのことです。

互換用 ISAM 構成

JP1/AJS3 の情報管理に ISAM データベースだけを使用する構成のことです。

Version 8 以前の JP1/AJS2 からの移行用の構成であり、ディスクやメモリーのなどのリソースを旧バージョンと同程度に抑えることができます。ただし、Version 9 以降での新機能については、一部の機能しか使用できません。

(サ行)

サスペンド

ルートジョブネット、およびルートジョブネットの下位にあるユニットの実行を抑止することです。

実行登録中のルートジョブネットの下位にある定義を変更するときに、定義処理と実行制御処理のすれ違いなどの誤動作を防止するために、ルートジョブネットをサスペンドする必要があります。ルートジョブネットをサスペンドすることで、実行制御処理と同期を取って定義を変更できます。

サブミット

ジョブの実行を依頼することです。

サブミットジョブ

jpqjobsub コマンドを使用して登録する標準ジョブのことです。

なお、マニュアル内で QUEUE ジョブとサブミットジョブを明示的に区別して記載していない場合は、サブミットジョブに QUEUE ジョブを含みます。

しきい値

ジョブの終了状態を判断するための値です。ジョブには、異常終了しきい値と警告終了しきい値を定義できます。

実行 ID

最上位ジョブネットの実行予定の一つに対して一つ割り振られる番号のことです。

実行エージェント

ジョブやジョブネットの実行先となるエージェントホストの論理的な名称です。マネージャーに定義したエージェント情報に従って、ジョブやジョブネットに指定した実行エージェントとエージェントホストの物理ホスト名がマッピングされ、ジョブやジョブネットが実行先のエージェントホストに配信されます。

実行エージェントグループ

実行エージェントをグルーピングして負荷分散を実現させます。グルーピングする実行エージェントに優先順位を付けておくことで、ジョブを配信するエージェントホストを決定し、ジョブを配信します。

実行エージェント制限

管理者が許可しない実行エージェントでのジョブ実行を抑止する機能です。ユニットごとに、ジョブの実行を許可する実行エージェントを設定できます。

実行エージェントプロファイルが有効になっている場合、実行エージェントが許可されているかどうかを、次のタイミングで確認します。

- JP1/AJS3 - View でのユニット定義時
- ajschkdef コマンドでの事前チェック時
- ジョブ実行時

自動リトライ

ジョブに定義した実行ファイルが異常終了した場合に、ジョブを自動でリトライする機能です。自動リトライによってジョブを実行することで、一時的なエラーを回復できることがあります。これによって、実行ファイルに一時的なエラーが発生しても業務を継続できます。

従属ジョブ

判定ジョブの判定結果が真のときに実行するジョブのことです。

従属ジョブネット

判定ジョブの判定結果が真のときに実行するジョブネットのことです。

ジョブ

コマンド、シェルスクリプト、Windows 実行ファイルなどの集まりです。

ジョブグループ

複数の業務を分類して管理するためのフォルダです。

ジョブ実行環境

ジョブ実行環境は、JP1/AJS3 のマネージャーとエージェントから構成されます。

マネージャーのジョブ実行環境では、実行エージェントの定義情報（ジョブの実行多重度、受付配信制限の状態など）、ジョブの配信方法、およびジョブの実行結果などを管理します。

エージェントのジョブ実行環境では、主にジョブの実行方法を管理します。

これらのジョブ実行環境は、データベースや環境設定パラメーターを使用して管理します。

QUEUE ジョブ、サブミットジョブを使用する場合は、QUEUE ジョブ、サブミットジョブの実行環境として ISAM のデータベースと環境設定パラメーターを使用します。

なお、キューレスジョブの場合は、キューレスジョブ実行環境で管理します。

ジョブ実行多重度

同時に実行できるジョブの数のことです。

ジョブネット

実行順序を関連づけたジョブの集まりです。ジョブネットを実行すると、ジョブネット中のジョブが実行順序に従って自動的に実行されます。

ジョブネットエディタウィンドウ

ジョブネットを新規に作成したり、作成済みのジョブネットを編集したりするウィンドウのことです。

ジョブネットコネクタ

ルートジョブネットの実行順序を制御するためのユニットです。対象のルートジョブネットと接続関係を持ち、その終了や開始を待ち合わせます。

ジョブネットモニタウィンドウ

ジョブネットやジョブの実行状況や実行の詳細結果を表示したり、ジョブネットやジョブを操作したりするウィンドウです。

ジョブネットワーク要素

「[ユニット](#)」を参照してください。

処理サイクル

ジョブネットの実行開始日から、次の実行開始日までの間隔のことです。処理サイクルを定義しておくと、定期的にジョブネットを実行できます。

資料採取ツール

JP1 が提供している、トラブルの要因調査のために必要なログ情報などの資料を一括採取するツールです。

トラブルの要因には、JP1/AJS3 の問題のほかに、OS、ユーザープログラム、オペレーションミスなどが考えられます。資料採取ツールは、JP1/AJS3 のログ以外にも、OS のログなどを同時に採取します。

スケジューラーサービス

ジョブネットを実行するスケジュールを管理し、スケジュールに従って、処理を実行します。スケジューラーサービスは、スケジューラーサービス名と同じ名称のルートジョブグループ配下のユニットを管理します。

スケジューラーサービスは、一つのマネージャーで複数起動できます。スケジューラーサービスを複数起動すると、スケジューラーサービスごとにルートジョブグループを管理できるようになります。例えば、スケジューラーサービスを業務ごとに分けて起動すると、それぞれのスケジューラーサービスが、他スケジューラーサービスの影響を受けることなく、独立して業務（ジョブネットおよびジョブ）を並行実行できます。

スケジュールルール

ジョブネットの実行開始日時や処理サイクルなどの情報です。一つのジョブネットに 144 個までスケジュールルールを定義できます。

正常終了

ジョブネットの正常終了は、ジョブネットに定義した処理がすべて正しく実行されて、ジョブネットが終了することです。

ジョブの正常終了は、ジョブが正しく実行されて終了することです。

先行ジョブ

あるジョブ、またはジョブネットの直前に実行されるジョブのことです。

先行ジョブネット

あるジョブ、またはジョブネットの直前に実行されるジョブネットのことです。

関連識別子

ユーザーが任意の目的で使用できるメッセージ中の項目です。メッセージ識別子と同じように、メッセージを識別するために使用します。関連識別子は、送信元が設定した文字コードで格納されています。

相互関係

送受信するメッセージを識別するために使用する情報です。相互関係は、送信元が設定した文字コードで受信されます。

即時実行登録

実行登録と同時にジョブネットを起動し、処理を開始する場合の実行登録方法です。

(夕行)

退避ファイル

JP1/AJS3 で定義したユニットを格納したファイルです。

退避ボックス

退避ファイルを格納するためのディレクトリまたはフォルダです。

中継エージェント

フレキシブルジョブの実行要求を中継するエージェントです。中継エージェントで中継された実行要求は、宛先エージェントで実行されます。

中継エージェントを利用することで、オンプレミス環境で定義したジョブをクラウド環境で実行できるようになります。

ディザスター・リカバリー

ディザスター・リカバリーとは、大規模災害などによってシステムが停止した場合などの不測の事態に備える措置をいいます。

JP1/AJS3 が対応するディザスター・リカバリーでは、JP1/AJS3 が使用する共有ディスクに格納されている情報を遠隔地の別拠点に用意したシステムの共有ディスクにコピーしておき、災害発生などによってシステムが停止した場合に、別拠点に用意していたシステムに運用を切り替えて業務を再開することができます。共有ディスク間のコピーには、ハードウェアが持つディスクのコピー・ミラーリング機能を使用します。

デイリースケジュールウィンドウ

1 日ごとの実行予定、実行状況、および実行結果を表示するためのウィンドウです。

デフォルトキュー

ジョブを実行するために、エージェントホストと対で作成するキューです。このキューは必ず作成しておく必要があります。

ジョブを実行する際、ジョブのサブミット先や実行先としてエージェントホスト名を指定すると、ジョブはそのエージェントホストのデフォルトキューにサブミットされます。

(ナ行)

ネストジョブネット

ジョブネット中に定義したジョブネットです。

(ハ行)

排他実行リソース

複数のジョブの同時実行を抑止したい場合に、それぞれのジョブで同じリソース名（排他実行リソース名）を指定しておき、同時実行を抑止することです。

判定ジョブ

指定された条件を判定し、判定結果が真であれば、従属ユニットを実行するジョブです。

判定値

ジョブが正常終了したか異常終了したかを判断するための値です。

引き継ぎ情報

実行登録時にマクロ変数に指定した値や、マクロ変数に設定された実際のイベント ID、イベント発行年月日など、後続ジョブに引き継ぐ情報（値）です。

引き継ぎ情報名

イベントジョブで受信するイベント情報を示す変数名です。

変数名には、「EVID（イベント ID）」、「EVDATE（イベント発行年月日）」などがあります。イベントジョブの定義時に変数名を指定します。

標準構成

JP1/AJS3 の情報管理に組み込み DB を使用する構成のことです。

特に断りがないかぎり、マニュアルではこの構成で構築されているものとして説明しています。

なお、QUEUE ジョブやサブミットジョブを使用する場合は、一部 ISAM データベースも使用します。

物理ホスト

クラスタシステムを構成する各サーバに固有な環境のことです。物理ホストの環境は、系切り替え時にも他サーバに引き継がれません。

プランニンググループ

複数のルートジョブネットを計画的に切り替えて実行するためのユニットです。プランニンググループの直下に異なる定義内容のルートジョブネットを複数作成し、それぞれに異なったスケジュールを定義することで、指定したスケジュールに従って自動的にジョブネットを切り替えて実行できます。

振り替え

スケジュールに従って決められた次回実行予定日が休業日だった場合に、ほかの日にジョブネットを実行させることです。

振り替え猶予日数

振り替え日が休業日の場合に、振り替え日を探す期間を日数で定義したもののことです。

フレキシブルジョブ

標準ジョブの一つで、マネージャーホストが直接管理していないエージェントホストで処理を実行させることができるジョブです。

ロードバランサーで処理を分散する環境でもジョブを実行できるため、クラウド環境（オートスケール環境）の実行エージェントで処理を実行させる場合などに使用できます。

閉塞状態

障害の発生などによってジョブネットが開始または終了できないで、実行状況や次回実行予定が確認できない状態になっていることです。この場合、実行登録を解除して、登録し直す必要があります。

(マ行)

マクロ変数

ジョブ実行時に情報を引き継ぐために使用する変数です。

ユニット定義時に、マクロ変数名と引き継ぎ情報（イベントジョブの場合は引き継ぎ情報名）を指定します。後続ジョブにマクロ変数名を指定すると、ジョブ実行時にマクロ変数を使用できます。

マクロ変数名

「?AJS2xxxxx?」という形式の、マクロ変数の名称です。ユニット定義時にマクロ変数名を指定すると、先行ジョブで設定されたマクロ変数を使用してジョブを実行できます。

待ち合わせ条件

異なるジョブネット間のユニット同士の実行順序を制御するために、ユニットに設定する条件です。待ち合わせ条件を設定したユニットは、待ち合わせ条件で指定したユニットの実行終了を待ち合わせてから、実行を開始します。

待ち合わせ条件付きユニット

待ち合わせ条件を設定したユニットのことです。待ち合わせ対象ユニットの実行終了後に実行を開始します。

待ち合わせ対象ユニット

待ち合わせ条件で指定するユニットのことです。待ち合わせ対象ユニットが実行終了すると、待ち合わせ条件付きユニットが実行を開始します。

マネージャージョブグループ

JP1/AJS3 - Manager から、別の JP1/AJS3 - Manager の業務を監視するためのジョブグループです。

マネージャージョブネット

JP1/AJS3 - Manager から、別の JP1/AJS3 - Manager の業務を監視するためのジョブネットです。

マネージャースト

マネージャーストは、ジョブネットの定義情報やスケジュール情報をデータベースで管理し、ジョブの実行をエージェントホストに依頼して実行させます。マネージャーストには、JP1/AJS3 - Manager をインストールします。

マネージャーストでは、定義されたスケジュール情報を基に、ジョブネットの実行予定が作成されます。実行開始時刻になると、マネージャーストは、ジョブとして定義された実行ファイルを起動して、ジョブ定義情報をエージェントホストに転送し、エージェントホストにジョブを実行させます。実行が終わると、エージェントホストでのジョブの実行結果を受け取り、データベースに反映します。その反映された情報を基に、後続ジョブを実行したり、次回の実行予定を作成したりします。

マンスリースケジュールウィンドウ

1 か月ごとの実行予定や実行結果を表示するためのウィンドウです。

メール受信パラメーターファイル

ユーザーが設定したメール受信監視パラメーターを記録したファイルです。拡張子は、「.prm」です。このファイルは、ユーザーがメール受信イベントジョブを定義したときに自動的に作成されます。

メール送信パラメーターファイル

ユーザーが設定したメール送信パラメーターを記録したファイルです。拡張子は、「.prm」です。このファイルは、ユーザーがメール送信アクションジョブを定義したときに自動的に作成されます。

メールフィルターアプリケーション

メールの形式を変換するためのプログラムまたはシェルスクリプトです。

メール連携で RFC822 形式以外のメールを使うには、文字コードを変換するためのメールフィルターアプリケーションが必要です。

メッセージキュー

アプリケーションプログラムからのメッセージを登録しておくファイルのことです。メッセージキューマネージャーによって管理されます。メッセージキューには、受信したメッセージを格納する入力キューと、他システムへ送信するメッセージを格納する出力キューがあります。また、入力キューと出力キューは同一キューを使用することもできます。

メッセージキューイング機能

メッセージキューマネージャーの機能で、アプリケーションプログラム間のメッセージ送受信をメッセージキューと呼ばれるキューを使用して処理することです。アプリケーションプログラムは、メッセージキューに対して送信または受信の処理をします。メッセージがメッセージキューに登録されたあとは、メッセージキューマネージャーがメッセージの処理をするためアプリケーションプログラムの負荷が軽くなります。また、相手側プログラムが受信したことを自アプリケーション側で待つ必要がないため、プログラム間の非同期処理を実行できます。

メッセージ識別子

MQSeries のメッセージ記述子という情報の中の 1 項目です。メッセージ識別子は、送信元が設定した文字コードで格納されています。メッセージ識別子は、メッセージを特定するためのメッセージ ID などを設定しておくところとして利用されます。

(ヤ行)

ユーザー共通プロファイル

JP1 ユーザーが共通に使用できるように、JP1/AJS3 - View の環境設定情報を保存したファイルです。管理者は、ユーザー共通プロファイルを JP1/AJS3 - Manager に保存しておき、必要に応じて、JP1 ユーザーがこのファイルをダウンロードすることで、JP1/AJS3 - View の環境を JP1 ユーザー間で共通の設定にできます。

多くの JP1 ユーザーに同じ環境で JP1/AJS3 - View を使わせたい場合に役に立ちます。

ユニット

JP1/AJS3で自動化する業務を構成する一つ一つの要素（ジョブグループ、ジョブネット、ジョブなど）です。

ユニット ID

一つのユニットに対して一つ割り振られる番号です。

ユニット定義パラメーターファイル

ユニット定義パラメーターを格納したテキストファイルです。コマンドでユニットを定義する場合の入力情報になります。

予定情報ファイル

予定情報パラメーターを格納したテキストファイルです。コマンドでジョブネットを確定実行登録する場合の入力情報になります。

(ラ行)

リカバリージョブ

先行するジョブ、またはジョブネットが異常終了したときに実行されるジョブです。

リカバリージョブネット

先行するジョブ、またはジョブネットが異常終了したときに実行されるジョブネットです。

リストファイル

送受信したメールの内容の抜粋をリスト形式で記録したファイルです。

論理ホスト

クラスタシステムでの運用時に JP1 の実行環境となる論理上のサーバのことです。障害の発生時には、論理ホスト単位で系が切り替わります。

論理ホストは専用の IP アドレスを持ち、系切り替え時にはその IP アドレスを引き継いで動作します。そのため、障害で物理的なサーバが切り替わった場合も、クライアントからは同じ IP アドレスでアクセスでき、一つのサーバが常に動作しているように見えます。

索引

数字

- 09-00 の変更内容 388
- 09-10 の変更内容 387
- 09-50 の変更内容 386
- 10-00 の変更内容 383
- 10-10 の変更内容 382
- 10-50 の変更内容 381
- 11-00 の変更内容 377
- 11-10 の変更内容 375
- 11-50 の変更内容 374

A

- ajs.exe 235
- ajs2java.exe 235
- ajsagtmd 239
- ajsagtmd.exe 223
- ajsagtmond 239
- ajsagtmond.exe 223
- ajscdinetd 239, 240
- ajscdinetd.exe 223, 224
- ajscdinetd 内部ログ (UNIX) 63
- ajscdinetd 内部ログ (Windows) 38
- ajschkagtd 238, 247
- ajschkagtd.exe 222, 233
- ajschkagtsvc.exe 222, 233
- ajschkmand 238
- ajschkmand.exe 222
- ajschkmansvc.exe 222
- ajsdmgrp 239
- ajsdmgrp.exe 223
- ajsdmgrp 内部ログ (UNIX) 71
- ajsdmgrp 内部ログ (Windows) 46
- ajsfldb 240
- ajsfldb.exe 224
- ajsflovd 240
- ajsflovd.exe 224
- ajsfxbcctl 241, 248
- ajsfxbcctl.exe 225, 235
- ajsfxdstr 241, 248
- ajsfxdstr.exe 225, 235
- ajsfxexec 241, 248
- ajsfxexec.exe 225, 234
- ajsgwd 240
- ajsgwd.exe 224
- ajsgwmasterd 239, 240
- ajsgwmasterd.exe 223, 224
- ajshlogd 239
- ajshlogd.exe 223
- ajsinetd 239, 240
- ajsinetd.exe 223, 224
- ajsinetd 内部ログ (UNIX) 63
- ajsinetd 内部ログ (Windows) 38
- ajslogd 239
- ajslogd.exe 223
- ajsmasterd 239, 240
- ajsmasterd.exe 224
- ajsmonsvr 240
- ajsmonsvr.exe 224
- ajsmonsvr 内部ログ (UNIX) 63
- ajsmonsvr 内部ログ (Windows) 38
- ajsnetwd 239
- ajsnetwd.exe 223
- ajsovstatd 239
- ajsovstatd.exe 223
- AJSPATH 402
- ajsqlagtd 237, 247
- ajsqlagtd.exe 221, 232
- ajsqlasvc.exe 222, 228, 234
- ajsqlcltd.exe 223
- ajsqlfsvc.exe 222, 228
- ajsqlftpd 237
- ajsqlftpd.exe 221
- ajsrcmdsvr 240
- ajsrcmdsvr.exe 224

ajsremnetcl 240
ajsremnetcl.exe 224
ajsreqd 240
ajsreqd.exe 224
ajsschbd.exe 224, 240
ajsschd 240
ajsschd.exe 224
ajsshmdel コマンドトレースログファイル 71, 78
ajssubd 240
ajssubd.exe 224
ajssubwd 240
ajssubwd.exe 224
AJS 管理者 402
as_iescscm.exe 222, 233
as_iescsvr.exe 222, 233
as_manager.exe 222, 225, 233, 234
as_player 241, 248
as_player.exe 225, 234
as_service.exe 222, 233
A-14JP1/AJS3 Console Agent のファイルおよび
フォルダー一覧 (Windows 版 JP1/AJS3 -
Manager ・ JP1/AJS3 Console Agent 使用時) 186

C

cjstartsv 249
cjstartsv.exe 236
Cm2 連携ログ (UNIX) 65
Cm2 連携ログ (Windows) 41

D

DB 管理者 411

H

HITSENER Data Mart Server 402
HP NNM 402
httpsd 249
httpsd.exe 236
HTTP 接続ジョブ 402
HTTP 接続ジョブ実行内部トレースログファイル
(UNIX) 72

HTTP 接続ジョブ実行内部トレースログファイル
(Windows) 47
HTTP 接続ジョブの実行に関するトラブルの対処方法
117
HTTP 接続ジョブを実行すると異常終了となる 131

I

ISAM データベース 402
ISAM ファイルが不正になった場合の対処 170

J

jajs_agtd 237, 240
jajs_agtd.exe 221, 224
jajs_config コマンドトレースログファイル (UNIX)
68
jajs_config コマンドトレースログファイル
(Windows) 43
jajs_dbmd 237, 239
jajs_dbmd.exe 221, 223
jajs_hstd 237, 239
jajs_hstd.exe 221, 223
jajs_killall.cluster コマンドトレースログファイル
(UNIX) 68
jajs_migrate コマンドトレースログファイル (UNIX)
67
jajs_migrate コマンドトレースログファイル
(Windows) 43
jajs_pmtcon コマンドトレースログファイル (UNIX)
68
jajs_pmtcon コマンドトレースログファイル
(Windows) 43
jajs_schd 237, 239
jajs_schd.exe 221, 223
jajs_service.exe 222, 228, 233
jajs_setup_cluster コマンドトレースログファイル
(UNIX) 68
jajs_setup_cluster コマンドトレースログファイル
(Windows) 43
jajs_setup コマンドトレースログファイル (UNIX)
67

jajs_setup コマンドトレースログファイル (Windows) 43
 jajs_spmd 237, 247
 jajs_spmd.exe 221, 232
 jajs_web_service.exe 236
 jajsshadminusr コマンドトレースログファイル (UNIX) 68, 78
 java.exe 235
 JP1/AJS2 Queueless Agent サービス 237
 JP1/AJS2 Queueless File Transfer サービス 237
 JP1/AJS3 Check Agent サービス 222, 238
 JP1/AJS3 Check Manager サービス 222, 238
 JP1/AJS3 Console Agent のファイルおよびディレクトリー一覧 (UNIX 版 JP1/AJS3 - Manager ・ JP1/AJS3 Console Agent 使用時) 195
 JP1/AJS3 Console View のファイル一覧 (JP1/AJS3 - View ・ JP1/AJS3 Console View 使用時) 209
 JP1/AJS3 Console View のフォルダー一覧 (JP1/AJS3 - View ・ JP1/AJS3 Console View 使用時) 208
 JP1/AJS3 for Enterprise Applications 403
 JP1/AJS3 HTTP Server サービス 236, 249
 JP1/AJS3 Queueless Agent サービス 221
 JP1/AJS3 Queueless File Transfer サービス 221
 JP1/AJS3 Web Application Server サービス 236
 JP1/AJS3 - Agent Minimal Edition 402
 JP1/AJS3 - Agent のログファイルおよびディレクトリー一覧 (UNIX の場合) 75
 JP1/AJS3 - Agent のログファイルおよびフォルダー一覧 (Windows の場合) 51
 JP1/AJS3 - Definition Assistant 403
 JP1/AJS3 - Manager のログファイルおよびディレクトリー一覧 (UNIX の場合) 62
 JP1/AJS3 - Manager のログファイルおよびフォルダー一覧 (Windows の場合) 36
 JP1/AJS3 - Print Option 403
 JP1/AJS3 - SOA Option 403
 JP1/AJS3 - Software Development Kit 403
 JP1/AJS3 - View のログファイルおよびフォルダー一覧 (Windows の場合) 59
 JP1/AJS3 - Web Console のログファイルおよびディレクトリー一覧 (UNIX の場合) 81
 JP1/AJS3 - Web Console のログファイルおよびフォルダー一覧 (Windows の場合) 61
 JP1/AJS3 - Web Operation Assistant 403
 JP1/Base 404
 JP1/Cm2 404
 JP1/DH - AJE 404
 JP1/FTP 404
 JP1/IM 404
 JP1/NETM/DM 404
 JP1/NQSEXEC 404
 JP1/OJE for Midrange Computer 404
 JP1/OJE for VOS1 404
 JP1/OJE for VOS3 405
 JP1/OJE for VOSK 405
 JP1/PFM 405
 JP1/Power Monitor 405
 JP1/Script 405
 jp1ajs2_setup_cluster コマンドトレースログファイル (UNIX) 68
 JP1 イベント 405
 JP1 権限レベル 405
 JP1 資源グループ 405
 JP1 ユーザー 405
 jpoagent 240, 241, 247
 jpoagent.exe 224, 232, 234
 jpoagtsub 241, 247
 jpoagtsub.exe 224, 234
 jpocwtfMain 241, 248
 jpocwtfMain.exe 225, 234
 jpocwtmMain 241, 248
 jpocwtmMain.exe 225, 234
 jpocwttmMain 241, 248
 jpocwttmMain.exe 225, 234
 jpoeventwatch 241, 248
 jpoeventwatch.exe 225, 234
 jpoevsearch 241, 248
 jpoevsearch.exe 225, 234

jpomanager 239, 240
jpomanager.exe 223, 224
jpomgrsub 240
jpomgrsub.exe 224
jpomlapirec.exe 222, 225, 233, 234
jpomlapirec2.exe 222, 225, 233, 234
jpomlapisend.exe 222, 225, 233, 234
jpomlapisend2.exe 222, 225, 233, 234
jpomldsk.exe 222, 233
jpomlsrv.exe 222, 233
jppqagt 240, 248
jppqagt.exe 224, 234
jppqagtchild 241, 248
jppqagtdmn 240, 248
jppqman 239
jppqman.exe 223
jppqmon 240, 247, 248
jppqmon.exe 224, 232, 234
jppqnfyd 240
jppqnfyd.exe 224

K

KAVS8029-E (トラブルへの対処方法) 122, 125
KAVS8033-E (トラブルへの対処方法) 106
KAVT0414-E (トラブルへの対処方法) 137
KAVU1203-E (トラブルへの対処方法) 105
KAVU1204-E (トラブルへの対処方法) 105
KAVU2251-E (トラブルへの対処方法) 131, 132
KAVU3284-W (トラブルへの対処方法) 130
KAVU3521-W (トラブルへの対処方法) 120, 124
KAVU3531-W (トラブルへの対処方法) 133
KAVU3571-W (トラブルへの対処方法) 120, 123
KAVU3577-W (トラブルへの対処方法) 121
KAVU3586-W (トラブルへの対処方法) 120, 123
KAVU4254-E (トラブルへの対処方法) 128
KAVU4511-W (トラブルへの対処方法) 119
KAVU4512-W (トラブルへの対処方法) 119
KAVU4514-W (トラブルへの対処方法) 119
KAVU4515-W (トラブルへの対処方法) 119

KAVU4520-W (トラブルへの対処方法) 119
KAVU4530-W (トラブルへの対処方法) 120, 123
KAVU4531-W (トラブルへの対処方法) 120, 123
KAVU4538-W (トラブルへの対処方法) 120, 124
KAVU4546-W (トラブルへの対処方法) 121, 124
KAVU4547-W (トラブルへの対処方法) 128, 131
KAVU4548-W (トラブルへの対処方法) 121, 124
KAVU4551-W (トラブルへの対処方法) 129
KAVU4560-W (トラブルへの対処方法) 128, 131
KAVU4563-W (トラブルへの対処方法) 128, 131
KAVU4571-W (トラブルへの対処方法) 118, 123
KAVU4580-W (トラブルへの対処方法) 118, 123
KAVU4581-W (トラブルへの対処方法) 120
KAVU4583-W (トラブルへの対処方法) 121, 124
KAVU4597-W (トラブルへの対処方法) 120, 124
KAVU4721-E (トラブルへの対処方法) 122, 125
KAVU5282-W (トラブルへの対処方法) 121
KAVU5284-E (トラブルへの対処方法) 105
KAVU5285-E (トラブルへの対処方法) 105
KAVU5287-E (トラブルへの対処方法) 128
KAVU5501-E (トラブルへの対処方法) 130
KAVU5921-E (トラブルへの対処方法) 104
KAVU5950-E (トラブルへの対処方法) 104
KAVU7533-E (トラブルへの対処方法) 122, 124, 130, 132
KAVV3102-E (トラブルへの対処方法) 113
KAVV3103-E (トラブルへの対処方法) 113
KAVV400-E (トラブルへの対処方法) 111
KAVV401-E (トラブルへの対処方法) 113
KAVV458-E (トラブルへの対処方法) 112
KAVV459-E (トラブルへの対処方法) 112

L

Linux 版 JP1/AJS3 - Web Console の親プロセスおよび子プロセス一覧 249

M

MAPI 405
MIME 405

MQSeries 406
MQ 文字列 406
MSMQ 406

O

OS が異常終了したときの対処方法 149
Outlook を使用しないメール送信ジョブのログ 40

P

pd_buf_dfw 253
pd_buf_dfw.exe 251
pdlogd 253
pdlogd.exe 251
pdlogswd 253
pdlogswd.exe 251
pdmgrd 253
pdmlgd 253
pdmlgd.exe 251
pdprcd 253
pdprcd.exe 251
pdrdmd 253
pdrdmd.exe 251
pdrsvre 253
pdrsvre.exe 251
pdscdd 253
pdscdd.exe 251
pdsds 254
pdsds.exe 252
pdservice.exe 251
pdsha.exe 252
pdstd 253
pdstd.exe 251
pdtrnd 253
pdtrnd.exe 251
pdtrnrvd 253
pdtrnrvd.exe 251

R

rotatelog2 249

rotatelog2.exe 236

S

SMTP 406
SUP 406

T

TP1/LiNK 406
TP1/Message Queue 406
TP1/Server Base 407

U

UNIX 版 JP1/AJS3 - Agent の親プロセスおよび子プロセス一覧 247
UNIX 版 JP1/AJS3 - Agent の子プロセスおよび詳細プロセス一覧 247
UNIX 版 JP1/AJS3 - Manager の親プロセスおよび子プロセス一覧 (互換用 ISAM 構成) 242
UNIX 版 JP1/AJS3 - Manager の親プロセスおよび子プロセス一覧 (標準構成) 237
UNIX 版 JP1/AJS3 - Manager の子プロセスおよび詳細プロセス一覧 (互換用 ISAM 構成) 243
UNIX 版 JP1/AJS3 - Manager の子プロセスおよび詳細プロセス一覧 (標準構成) 239
UNIX 版組み込み DB の親プロセスおよび子プロセス一覧 253

W

Web Console サーバ 407
Web GUI 407
Windows Messaging 機能 407
Windows 版 JP1/AJS3 - Agent の親プロセスおよび子プロセス一覧 232
Windows 版 JP1/AJS3 - Agent の子プロセスおよび詳細プロセス一覧 234
Windows 版 JP1/AJS3 - Manager の親プロセスおよび子プロセス一覧 (互換用 ISAM 構成) 227
Windows 版 JP1/AJS3 - Manager の親プロセスおよび子プロセス一覧 (標準構成) 221
Windows 版 JP1/AJS3 - Manager の子プロセスおよび詳細プロセス一覧 (互換用 ISAM 構成) 228

Windows 版 JP1/AJS3 - Manager の子プロセスおよび詳細プロセス一覧 (標準構成) 223

Windows 版 JP1/AJS3 - View のプロセス一覧 235

Windows 版組み込み DB の親プロセスおよび子プロセス一覧 251

あ

アクションジョブ 407

アクションジョブの実行に関するトラブルの対処方法 117

アクションジョブを実行すると異常終了となる 125

宛先エージェント 407

い

移行コマンド実行ログ 46

異常終了 408

異常終了しきい値 408

一斉実行 408

一斉配信エージェント 408

一斉配信エージェントおよび一斉配信の宛先エージェントログファイル (UNIX) 72

一斉配信エージェントおよび一斉配信の宛先エージェントログファイル (Windows) 47

一斉配信エージェントログファイル (UNIX) 72

一斉配信エージェントログファイル (Windows) 47

イベント 408

イベント監視ログ (UNIX) 65

イベント監視ログ (Windows) 39

イベント検索ログ (UNIX) 65

イベント検索ログ (Windows) 39

イベントジョブ 408

イベント・アクション共通エラーログ (UNIX) 67

イベント・アクション共通エラーログ (Windows) 42

イベント・アクション共通ログ (UNIX) 67

イベント・アクション共通ログ (Windows) 42

イベント・アクション制御エージェントログ (UNIX) 64

イベント・アクション制御エージェントログ (Windows) 39

イベント・アクション制御マネージャーログ (UNIX) 64

イベント・アクション制御マネージャーログ (Windows) 39

インポートコマンドトレースログファイル (UNIX) 71

インポートコマンドトレースログファイル (Windows) 46

う

打ち切り時間 408

運用日 408

え

エージェント監視トレースログファイル (UNIX) 72

エージェント監視トレースログファイル (Windows) 47

エージェント管理トレースログ (UNIX) 71

エージェント管理トレースログ (Windows) 46

エージェント管理ログ (UNIX) 71

エージェント管理ログ (Windows) 46

エージェントホスト 409

エクスポートコマンドトレースログファイル (UNIX) 71

エクスポートコマンドトレースログファイル (Windows) 46

か

確定実行登録 409

確定スケジュール 409

各バージョンの変更内容 374

カスタムジョブ 409

カスタムジョブの実行に関するトラブルの対処方法 117

カスタムジョブを実行すると異常終了となる 125

仮想マシン 409

カレンダー情報 409

環境設定パラメーター 410

環境設定ファイル 410

き

- 起算スケジュール 410
- 起算猶予日数 410
- 基準時刻 410
- 基準日 410
- 起動条件 410
- 起動条件付きジョブネット 410
- キュー 410
- キューイングジョブ 411
- 休業日 411
- キューレスエージェントサービスが出力するログ 356
- キューレスエージェントプロセス 221, 237
- キューレスジョブ 411
- キューレスジョブ実行環境 411
- キューレスジョブ実行内部ログ (UNIX) 68
- キューレスジョブ実行内部ログ (Windows) 43
- キューレスジョブのステータスファイル (UNIX) 69
- キューレスジョブのステータスファイル (Windows) 43
- キューレストレースログファイル (UNIX) 68
- キューレストレースログファイル (Windows) 43
- キューレスファイル転送プロセス 221, 237
- キューレスログファイル 55, 68, 78
- キューレスログファイル (Windows) 43
- キューレスログファイル中に出力されるログの一覧 356
- 強制終了 411
- 共通のスケジューラートレースログ (Windows) 38
- 共通メッセージログ 29

<

- 組み込み DB 411
- 組み込み DB が終了できないときの対処方法 149
- 組み込み DB 管理者 411
- 組み込み DB サービス 412
- 組み込み DB システム管理者 412
- 組み込み DB 操作コマンド 412
- 組み込み DB 操作コマンド実行ログ (UNIX) 69
- 組み込み DB 操作コマンド実行ログ (Windows) 44

組み込み DB のファイルおよびフォルダ一覧 (Windows 版) 181

組み込み DB のプロセス一覧 249

クラスタ運用時のログ出力先ディレクトリ (UNIX の場合) 61

クラスタ運用時のログ出力先フォルダ (Windows の場合) 36

クラスタシステム 412

け

計画実行登録 412

系切り替えシステム 412

警告終了 412

警告終了しきい値 412

件名 413

こ

後続ジョブ 413

後続ジョブネット 413

互換用 ISAM 構成 413

さ

最大ディスク占有量 (UNIX の場合) 62

最大ディスク占有量 (Windows の場合) 60

最大ディスク占有量 (Windows の場合) 36

サスペンド 413

サブミット 413

サブミットジョブ 413

し

しきい値 413

システム管理ログ (UNIX) 62

システム管理ログ (Windows) 36

システム障害通知ログ 29

実行 ID 414

実行エージェント 414

実行エージェントグループ 414

実行エージェント制限 414

実行間隔制御ログ (UNIX) 65

実行間隔制御ログ (Windows) 40

自動再編成ログファイル (UNIX) 69
自動再編成ログファイル (Windows) 44
自動リトライ 414
従属ジョブ 414
従属ジョブネット 414
ジョブ 414
ジョブグループ 414
ジョブ実行エージェントログ (UNIX) 64
ジョブ実行エージェントログ (Windows) 38
ジョブ実行環境 415
ジョブ実行環境データベース再編成ログ (UNIX) 67
ジョブ実行環境データベース再編成ログ (Windows) 42
ジョブ実行クライアントログ (UNIX) 64
ジョブ実行クライアントログ (Windows) 39
ジョブ実行状態通知ログ (Windows) 39
ジョブ実行多重度 415
ジョブ実行内部ログ (UNIX) 65-67
ジョブ実行内部ログ (Windows) 41, 42
ジョブ実行マネージャーログ (UNIX) 63
ジョブ実行マネージャーログ (Windows) 38
ジョブネット 415
ジョブネットエディタウィンドウ 415
ジョブネットコネクタ 415
ジョブネットモニタウィンドウ 415
ジョブネットワーク要素 415
処理サイクル 415
資料採取ツール 416

す

スケジューラーサービス 416
スケジューラーサービス単位のスケジューラートレースログ (Windows) 38
スケジューラーサービス単位の</PARA> <PARA>トレースログ (UNIX) 63
スケジューラーデータベース再編成ログ (UNIX) 67
スケジューラーデータベース再編成ログ (Windows) 42
スケジューラーログ 31
スケジューラーログ (UNIX) 62

スケジューラーログ (Windows) 37
スケジューラーログ一覧 255
スケジュールルール 416

せ

正常終了 416
接続中のプロセスがあるため組み込み DB が終了できないときの対処方法 149
先行ジョブ 416
先行ジョブネット 416

そ

関連識別子 416
相互関係 417
即時実行登録 417

た

退避ファイル 417
退避ボックス 417

ち

中継エージェント 417

つ

通信制御トレースログ (UNIX) 71
通信制御トレースログ (Windows) 46
通信制御ログ (UNIX) 71
通信制御ログ (Windows) 46

て

定義チェックトレースログファイル (UNIX) 69
定義チェックトレースログファイル (Windows) 44
定義チェックログファイル (UNIX) 69
定義チェックログファイル (Windows) 44
ディザスター・リカバリー 417
デイリースケジュールウィンドウ 417
デフォルトキュー 417
デフォルトのディスク占有量 (UNIX の場合) 62
デフォルトのディスク占有量 (Windows の場合) 36, 60

と

- 統合トレースログ 29
- トラブル発生時の資料の採取方法 92
- トラブルへの対処方法 103
- トレースログ (UNIX) 63

ね

- ネストジョブネット 418

は

- 排他実行リソース 418
- 判定ジョブ 418
- 判定値 418

ひ

- 引き継ぎ情報 418
- 引き継ぎ情報名 418
- 標準構成 418
- 標準ジョブの実行に関するトラブルの対処方法 117
- 標準ジョブを実行すると異常終了となる 125

ふ

- ファイルおよびディレクトリー一覧 178
- ファイル監視ログ (UNIX) 65
- ファイル監視ログ (Windows) 40
- ファイルの切り替え時期 (UNIX の場合) 62
- ファイルの切り替え時期 (Windows の場合) 36
- 物理ホスト 418
- プランニンググループ 419
- 振り替え 419
- 振り替え猶予日数 419
- フレキシブルジョブ 419
- フレキシブルジョブ実行先ログファイル (UNIX) 72
- フレキシブルジョブ実行先ログファイル (Windows) 47
- フレキシブルジョブ実行要求元ログファイル (UNIX) 72
- フレキシブルジョブ実行要求元ログファイル (Windows) 47
- フレキシブルジョブ実行用プロセス 222

フレキシブルジョブトレースログファイル (UNIX) 72

フレキシブルジョブトレースログファイル (Windows) 47

フロー制御サブプロセス内部ログ (UNIX) 67

フロー制御サブプロセス内部ログ (Windows) 42

プロセス一覧 (UNIX の場合) 236

プロセス一覧 (Windows の場合) 220

プロセス構成図 214

へ

- 閉塞状態 419

ま

- マクロ変数 419
- マクロ変数名 419
- マシン構成の調査に使用するコマンド 99
- 待ち合わせ条件 420
- 待ち合わせ条件付きユニット 420
- 待ち合わせ対象ユニット 420
- マネージャージョブグループ 420
- マネージャージョブネット 420
- マネージャージョブホスト 420
- マンリースケジュールウィンドウ 420

め

- メール監視ログ (UNIX) 65
- メール監視ログ (共通, Windows) 40
- メール監視ログ (メール連携をサービス上で行う場合, Windows) 40
- メール監視ログ (メール連携をデスクトップ上で行う場合, Windows) 40
- メール受信パラメーターファイル 420
- メール送信パラメーターファイル 421
- メール配信ログ (UNIX) 65
- メールフィルターアプリケーション 421
- メッセージキュー 421
- メッセージキューイング機能 421
- メッセージ識別子 421
- メンテナンスログファイル (UNIX) 69

ゆ

ユーザーが作成・変更できるファイル一覧 (JP1/AJS3 - View) 205

ユーザーが作成・変更できるファイル一覧 (Windows 版 JP1/AJS3 - Manager・JP1/AJS3 Console Manager 使用時) 185

ユーザーが参照, および運用時に削除管理する必要があるファイル一覧 (UNIX 版 JP1/AJS3 - Agent・HTTP 接続ジョブ使用時) 204

ユーザーが参照, および運用時に削除管理する必要があるファイル一覧 (UNIX 版 JP1/AJS3 - Agent・UNIX ジョブ使用時) 204

ユーザーが参照, および運用時に削除管理する必要があるファイル一覧 (UNIX 版 JP1/AJS3 - Agent・メール連携使用時) 203

ユーザーが参照, および運用時に削除管理する必要があるファイル一覧 (UNIX 版 JP1/AJS3 - Manager・HTTP 接続ジョブ使用時) 193

ユーザーが参照, および運用時に削除管理する必要があるファイル一覧 (UNIX 版 JP1/AJS3 - Manager・UNIX ジョブ使用時) 193

ユーザーが参照, および運用時に削除管理する必要があるファイル一覧 (UNIX 版 JP1/AJS3 - Manager・メール連携使用時) 192

ユーザーが参照, および運用時に削除管理する必要があるファイル一覧 (Windows 版 JP1/AJS3 - Agent・HTTP 接続ジョブ使用時) 200

ユーザーが参照, および運用時に削除管理する必要があるファイル一覧 (Windows 版 JP1/AJS3 - Agent・PC ジョブ使用時) 199

ユーザーが参照, および運用時に削除管理する必要があるファイル一覧 (Windows 版 JP1/AJS3 - Manager・HTTP 接続ジョブ使用時) 184

ユーザーが参照, および運用時に削除管理する必要があるファイル一覧 (Windows 版 JP1/AJS3 - Manager・PC ジョブ使用時) 184

ユーザーが参照, および運用時に削除管理する必要があるファイルおよびフォルダー一覧 (Windows 版 JP1/AJS3 - Agent・メール連携使用時) 198

ユーザーが参照, および運用時に削除管理する必要があるファイルおよびフォルダー一覧 (Windows 版 JP1/AJS3 - Manager・メール連携使用時) 183

ユーザーが参照, または変更する必要のないファイル一覧 (JP1/AJS3 - View・JP1/Cm2/NNM または HP NNM 連携使用時) 208

ユーザーが参照, または変更する必要のないファイル一覧 (Windows 版 JP1/AJS3 - Agent・JP1/Cm2/NNM または HP NNM 連携使用時) 198

ユーザーが参照, または変更する必要のないファイル一覧 (Windows 版 JP1/AJS3 - Manager・JP1/Cm2/NNM または HP NNM 連携使用時) 182

ユーザーが参照, または変更する必要のないファイルおよびディレクトリー一覧 (Linux 版 JP1/AJS3 - Web Console) 212

ユーザーが参照, または変更する必要のないファイルおよびディレクトリー一覧 (UNIX 版 JP1/AJS3 - Agent) 201

ユーザーが参照, または変更する必要のないファイルおよびディレクトリー一覧 (UNIX 版 JP1/AJS3 - Agent・JP1/Cm2/NNM または HP NNM 連携使用時) 202

ユーザーが参照, または変更する必要のないファイルおよびディレクトリー一覧 (UNIX 版 JP1/AJS3 - Manager) 190

ユーザーが参照, または変更する必要のないファイルおよびディレクトリー一覧 (UNIX 版 JP1/AJS3 - Manager・JP1/Cm2/NNM または HP NNM 連携使用時) 192

ユーザーが参照, または変更する必要のないファイルおよびフォルダー一覧 (Windows 版 JP1/AJS3 - Agent) 197

ユーザーが参照, または変更する必要のないファイルおよびフォルダー一覧 (Windows 版 JP1/AJS3 - Manager) 180

ユーザーが参照, または変更する必要のないファイルおよびフォルダー一覧 (Windows 版 JP1/AJS3 - Web Console) 211

ユーザーが参照, または変更する必要のないフォルダー一覧 (JP1/AJS3 - View) 206

ユーザーが参照できるディレクトリー一覧 (UNIX 版 JP1/AJS3 - Agent・メール連携使用時) 203

ユーザーが参照できるディレクトリー一覧 (UNIX 版 JP1/AJS3 - Manager・メール連携使用時) 193

ユーザーが参照できるファイル一覧 (Windows 版 JP1/AJS3 - Agent・JP1/Cm2/NNM または HP NNM 連携使用時) 198

ユーザーが参照できるファイルおよびディレクトリー
覧 (Linux 版 JP1/AJS3 - Web Console) 212

ユーザーが参照できるファイルおよびディレクトリー
覧 (UNIX 版 JP1/AJS3 - Agent) 201

ユーザーが参照できるファイルおよびディレクトリー
覧 (UNIX 版 JP1/AJS3 - Manager) 189

ユーザーが参照できるファイルおよびディレクトリー
覧 (UNIX 版 JP1/AJS3 - Manager ・ JP1/AJS3
Console Manager 使用時) 194

ユーザーが参照できるファイルおよびフォルダー覧
(JP1/AJS3 - View) 205

ユーザーが参照できるファイルおよびフォルダー覧
(Windows 版 JP1/AJS3 - Agent) 197

ユーザーが参照できるファイルおよびフォルダー覧
(Windows 版 JP1/AJS3 - Manager) 180

ユーザーが参照できるファイルおよびフォルダー覧
(Windows 版 JP1/AJS3 - Manager ・ JP1/AJS3
Console Manager 使用時) 185

ユーザーが参照できるファイルおよびフォルダー覧
(Windows 版 JP1/AJS3 - Web Console) 211

ユーザーが参照できるフォルダー覧 (Windows 版
JP1/AJS3 - Agent ・ メール連携使用時) 199

ユーザーが参照できるフォルダー覧 (Windows 版
JP1/AJS3 - Manager ・ メール連携使用時) 184

ユーザーが参照または変更する必要のないファイルお
よびディレクトリー覧 (UNIX 版 JP1/AJS3 -
Manager ・ JP1/AJS3 Console Manager 使用時)
194

ユーザーが参照または変更する必要のないファイルお
よびフォルダー覧 (Windows 版 JP1/AJS3 -
Manager ・ JP1/AJS3 Console Manager 使用時)
186

ユーザーが変更できるファイル一覧 (JP1/AJS3 -
View ・ JP1/Cm2/NNM または HP NNM 連携使用
時) 207

ユーザーが変更できるファイル一覧 (Linux 版 JP1/
AJS3 - Web Console) 212

ユーザーが変更できるファイル一覧 (UNIX 版 JP1/
AJS3 - Agent) 200

ユーザーが変更できるファイル一覧 (UNIX 版 JP1/
AJS3 - Agent ・ JP1/Cm2/NNM または HP NNM 連
携使用時) 202

ユーザーが変更できるファイル一覧 (UNIX 版 JP1/
AJS3 - Manager) 187

ユーザーが変更できるファイル一覧 (UNIX 版 JP1/
AJS3 - Manager ・ JP1/Cm2/NNM または HP
NNM 連携使用時) 191

ユーザーが変更できるファイル一覧 (Windows 版
JP1/AJS3 - Agent) 196

ユーザーが変更できるファイル一覧 (Windows 版
JP1/AJS3 - Manager) 179

ユーザーが変更できるファイル一覧 (Windows 版
JP1/AJS3 - Manager ・ JP1/Cm2/NNM または HP
NNM 連携使用時) 182

ユーザーが変更できるファイル一覧 (Windows 版
JP1/AJS3 - Web Console) 210

ユーザー共通プロファイル 421

ユニット 422

ユニット ID 422

ユニット定義パラメーターファイル 422

よ

予定情報ファイル 422

ら

ライセンス管理ログ 37

り

リカバリージョブ 422

リカバリージョブネット 422

リストファイル 422

ろ

ログ情報 255

ログ情報と出力形式 255

ログの共通の出力形式 264

ログの種類 (UNIX の場合) 61

ログの種類 (Windows の場合) 35

ログファイル一覧 (JP1/AJS3 - View) 207

ログファイルおよびディレクトリー覧 35

ログファイル格納ディレクトリー覧 (UNIX 版 JP1/
AJS3 - Manager ・ JP1/AJS3 Console Manager 使
用時) 195

ログファイル格納フォルダ一覧 (Windows 版 JP1/AJS3 - Manager ・ JP1/AJS3 Console Manager 使用時) 186

ログファイル名・ディレクトリ名 (UNIX の場合) 61

ログファイル名・フォルダ名 (Windows の場合) 35

論理ホスト 422

 株式会社 日立製作所

〒100-8280 東京都千代田区丸の内一丁目6番6号
